

SabMag/VFR List Microfiche & Manuals Electronic Reader Project

The microfiche and manuals contained herein are provided as a service to the Internet mailing-list community for non-commercial use only. No warranties, express or implied, are given for the accuracy of this material. All materials contained on this CD are in Adobe Portable Document Format (PDF). You may freely copy this information provided it is used in its entirety and includes this message. The free Adobe Acrobat Reader® for each of the supported computer platforms is included to allow reading. Separate license agreements are provided for this software by Adobe and included in the installation package.

**Back to
Index**

Continue
To next page

HONDA

PARTS CATALOG

VF750S'82-'83
V45 Sabre

AMERICAN HONDA MOTOR CO., INC.

© AMERICAN HONDA MOTOR CO., INC. 1993

PRINTED IN USA

July, 1993
Second Edition
14MB0CM

Table of Contents

	Grid	Page
How To Use This Catalog	A 2	II
Serial Numbers	A 3	IV
Construction Of Vehicle Identification Number (V.I.N.) ..	A 3	V
Color Tables	A 4	VI
Manuals	A 4	VII
Model ID Photos	A 5	VIII
Specifications	A 5	IX
Bulk Hose	A 7	XII
Commonly Required Replacement Parts	A 8	XIV
Contents By Page No. Sequence	A 9	XVI
Contents In Alphabetical Order	A 9	1
Part Groups		
Engine Group	B 1	2
Frame Group	E 1	68
Index		
Part Number Index	I 1	152
Description Index	J 1	168

14MB0CM © American Honda Motor Co., Inc. 1993 I

GRID

A1

How To Use This Catalog

This parts catalog is to be used when ordering replacement parts for the model (s) specified on the microfiche strip.

CATALOG PAGE BREAKDOWN

REF. NO.	BLOCK NO.	E-1	MODEL APPLICATION						AREA CODE	ENGINE SERIAL NUMBER		QTY REQ	PART NUMBER	HONDA CODE	
			1	1	1	1	1	1		FROM	TO				
			9	9	9	9	9	9		4	5				
1	2	3a	4	5	6	7	4	5	6	7					

- REF NO.** — Reference number corresponding with the reference numbers on the illustrations. *
* All illustrations are representative only and do not necessarily correspond exactly to the actual part. "NI" signifies the part is not illustrated.
- DESCRIPTION** — Describes the part for the related part number.
Abbreviations:

ASSY.	- Assembly	L (100L)	- Link (100 Links)
COMP.	- Complete	A.C.	- Alternating Current
R.	- Right	D.C.	- Direct Current
L.	- Left	IN	- Inlet
STD.	- Standard	EX.	- Exhaust
MM	- Millimeter	FR.	- Front
G	- Gram	RR.	- Rear
T (22T)	- Tooth (22 Teeth)	HEX.	- Hexagonal
A	- Ampere	A.M.	- Attaching Mark
V	- Volt	T.M.	- Transcript Mark
W	- Watt	C.D.I.	- Capacitive Discharge Ignition
KPH	- Kilometer Per Hour	WL	- With Labeling
MPH	- Miles Per Hour	WOL	- Without Labeling

- MODEL APPLICATION** — Model application for the various models listed within the catalog. Single model applications will not require this section.
- MODEL YEAR GUIDE** — A guide to the part application. (prior to 1976 the guide reference is the model designation i.e., K0, K1, etc... For 1976 and above the guide reference is the last digit of the model year i.e., 1976=6; 1977=7; 1985=5 etc...)
- AREA CODE** — Area codes for parts that are unique to a particular area. Area codes are defined in the Serial Number application chart when applicable. This column will not be used in catalogs which do not include unique area codes.
- SERIAL NUMBER** — Applies to Engine or Frame serial numbers depending on the section.
The serial number of the vehicle (frame, engine, carburetor) should be checked prior to ordering parts for a specific unit. In cases where a part has been modified, the serial number of the vehicle bearing the modification is listed in the 'SERIAL NUMBER' column.
The modification parts are controlled by each pertinent serial number below:
Engine serial number — Engine group parts (Block numbers beginning with 'E').
Carburetor identification number — Carburetor component parts.
Frame serial numbers — Frame group parts (Block numbers beginning with 'F'). Serial number application chart and Serial number locations are provided.

Note: Some models may be controlled by one serial number only.

Decision for 'R' or 'L'.
'R' or 'L' in the description of a part stands for the Right hand side or the Left hand side which is decided by the forward direction of travel of the vehicle.

How To Use This Catalog

- QTY REQ** — Quantity required per unit as specified.
A. "N" in place of the quantity indicates AS REQUIRED.
B. "()" or "*" by the quantity required indicates "optional".

- PART NUMBER** — Part number corresponding to the reference numbers and application. Several part numbers may be listed under one (1) reference number. For your convenience the current supersede chain, as of print date, has been listed for you. Supersede chains are subject to change without notice.

MAKE-UP OF PART NUMBERS

All parts are classified into two groups consisting of "GENERAL PARTS" and "STANDARD PARTS". All parts are numbered in accordance with system described below:

General Parts

Example: Fork comp. Part No. 51105-GR1-700ZA
Function No. 51
Component No. 105
Parts Classification No. -GR1-
Classification No. 700
*Color Code ZA

Standard Parts

Example: 8 x 8 Hex., Bolt Part No. 92000-08018-1A
Function No. 92
Type No. 000
Dimensions -08018-
ISO Standard Designation 1
Chemical Surface Treatment A

* The color code at the end of a General Part's part number indicate the color. However, color codes such as ZA, ZB, ZC onward except ZZ, do not indicate the color directly but refer to the notes "*" in the Description Column of this Parts Catalog Microfiche. If the color description is not indicated in the text, refer to the color table.

- HONDA CODE** — The Honda Code is listed to the right of each Part Number.

- ADDITIONAL INFORMATION** — The table of contents located at the right of each microfiche grid lists sectioned titles in alphabetical order. Some microfiche will require separate tables of contents for the Engine and Frame sections which will be noted in a sub-heading; the introduction section (Row "A") of these microfiche will have the contents of the Engine Section on even number grids and the contents of the Frame Section on odd number grids.

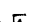

NOTE:

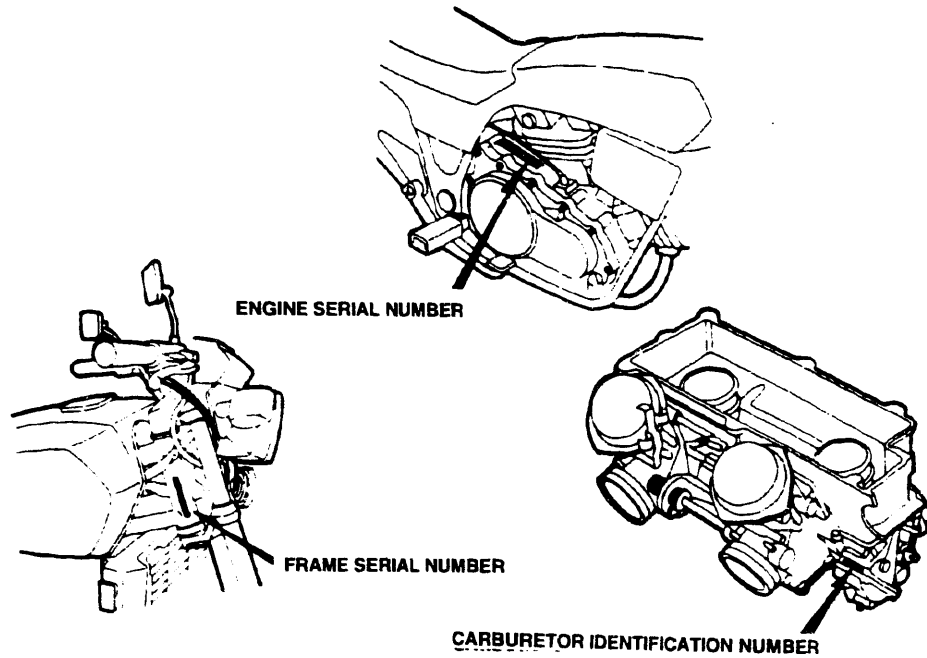
- The Block No. listed in the upper right hand corner of the Description heading refers to a complete illustration page and it's text, and should not be confused with the GRID NO. when using microfiche.
- Rear view mirrors are standard equipment on all street legal models.

Serial Numbers

Models and applicable serial numbers

Models and applicable serial Nos. given in this parts catalog can be identified as follows.

Model	Area Code	Applicable Engine Serial No.	Applicable Frame Serial No.	Applicable Carburetor Identification No.
VF750S '82	A	RC07E- 2000066 To 2015996	RC070* CM000036 To CM012083	VD50A 
VF750S '83	A	RC07E- 2100018 To 2115544	RC070* DM100006 To DM108632	VD50C 



Construction of Vehicle Identification Number (V.I.N.)

(Example) W.M.I. V.D.S. V.I.S. W.M.I. ... World manufacturer identifier
JH2 RC040 • B M 200001 V.D.S. ... Vehicle descriptor section
V.I.S. ... Vehicle indicator section

Sequential Production number

Plant representation

- A ... OHIO factory in U.S.A.
- B ... AALST factory in BELGIUM
- C ... SAITAMA factory in JAPAN
- D ... GUADALAJÁRA factory in MEXICO
- E ... MONTESA factory in SPAIN
- F ... ATESSA factory in ITALY
- K ... KUMAMOTO factory in JAPAN
- M ... HAMAMATSU factory in JAPAN
- R ... MANAUS factory in BRAZIL
- S ... SUZUKA factory in JAPAN
- T ... TOCHIGI factory in JAPAN

Model year

(Example)

B.. 1981 C .. 1982 D .. 1983 X .. 1999
<Except I.O.Q.U>

Check digit

This code is used to detect errors in the V.I.N. and consists of a single-digit number (0-9) or a letter "X". It has no direct bearing upon the V.D.S. and V.I.S.

Vehicle description code

(Example) RC040 ... CB750F NC030 ... CB400T
Refer to: SERIAL NUMBERS

Make and Type of vehicle

- JH2 ... HONDA, Motorcycle (Manufactured in JAPAN)
- 1HF ... HONDA, Motorcycle (Manufactured in U.S.A.)
- YC1 ... HONDA, Motorcycle (Manufactured in BELGIUM)
- 9C2 ... HONDA, Motorcycle (Manufactured in BRAZIL)
- 3H1 ... HONDA, Motorcycle (Manufactured in MEXICO)
- VTM ... HONDA, Motorcycle (Manufactured in SPAIN)
- ZDC ... HONDA, Motorcycle (Manufactured in ITALY)
- JH3 ... HONDA, All terrain vehicle (Manufactured in JAPAN)
- 478 ... HONDA, All terrain vehicle (Manufactured in U.S.A.)

Any change or modification of parts is directly related to the V.D.S. and V.I.S.

A V.I.S. number will appear in the "Serial No." column of the Parts Catalog if a part is changed or modified.

COMMENT:

This example is generic and applies to 1981 and newer vehicles. 1980 models and prior are referred to as "FRAME NUMBERS" and the construction is designed by using the model designation or code followed by a sequential number.

Color Tables

Color Chart

- (WL) = Stripes and labels other than caution labels are included in parts whose part name end in (WL).
- (WOL) = Stripes and labels are not included in parts whose part name end in (WOL).

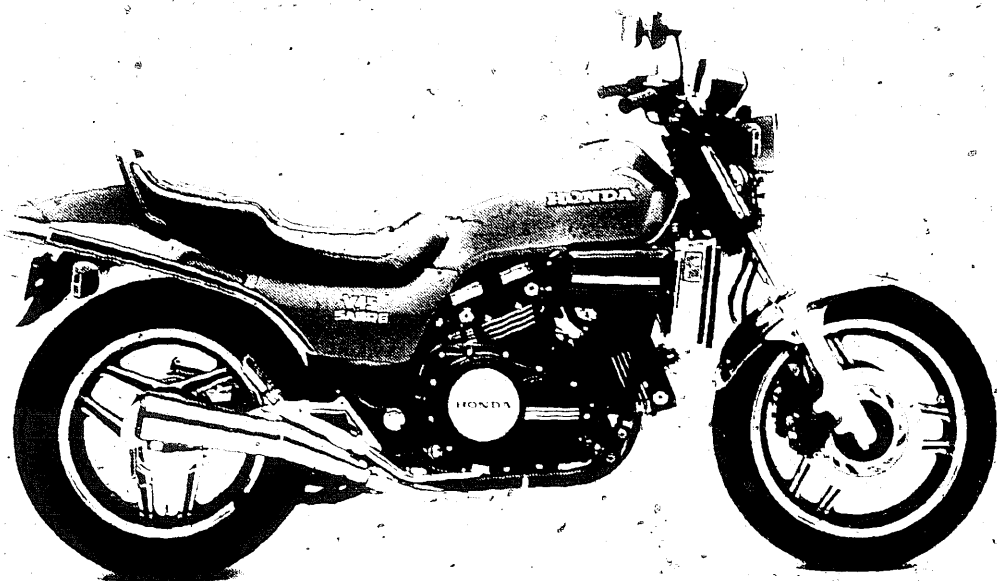
COLOR CODE TABLE (Color Descriptions omitted from the main text of the catalog)

TYPE OF PARTS	COLOR CODE	COLOR DESCRIPTION
PAINTED PARTS	A	WHITE
	B	BLACK
	C	SCARLET
	E	ROYAL BLUE
	N	DARK BLUE
	Q	MARUEM BLUE
	R	IVORY YELLOW
	S	DARK SILVER
	T	METALLIC SILVER
	XW	CHROME
	Z	PRIMER
ZZ	PRIMER	
VINYL PARTS	A	BLACK
	B	BLUE
	D	LIGHT BLUE
	E	SCARLET
	G	DARK ROSE
	N	ELEPHANT GRAY & IVORY
	Q	WHITE
V	IVORY	

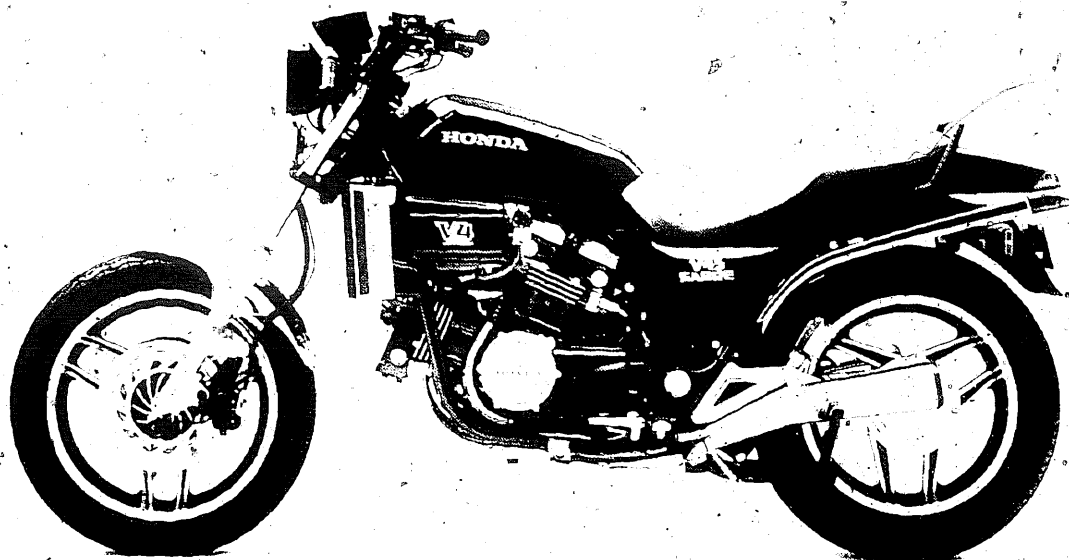
Manuals

DESCRIPTION	MANUAL NUMBER	H/C
VF750S '82-'83 SERVICE MANUAL	61MB004	1844505
VF750S '83 OWNER'S MANUAL	31ME0600	1317114

Model ID Photo



VF750S'82 V45 SABRE



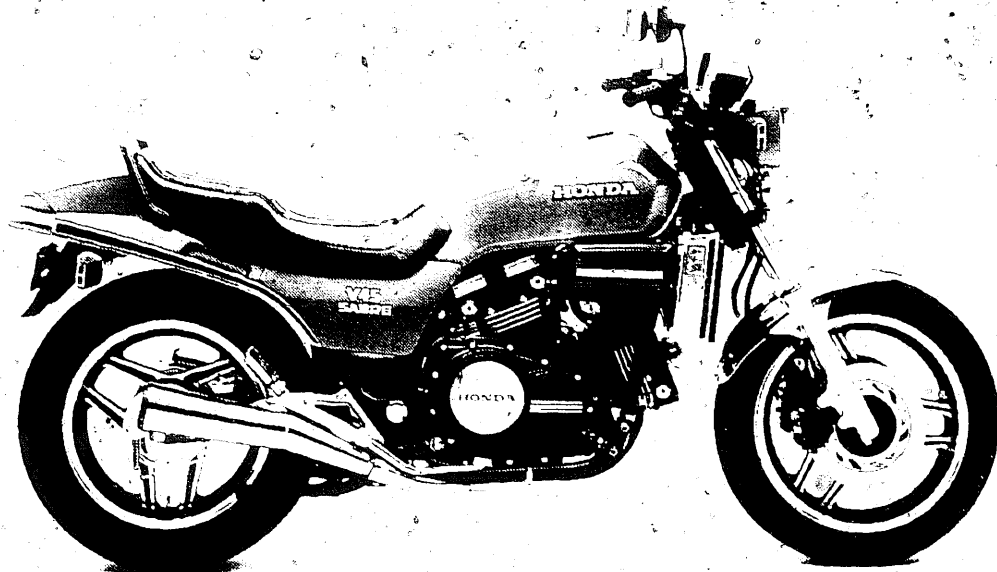
VF750S'83 V45 SABRE

Specifications

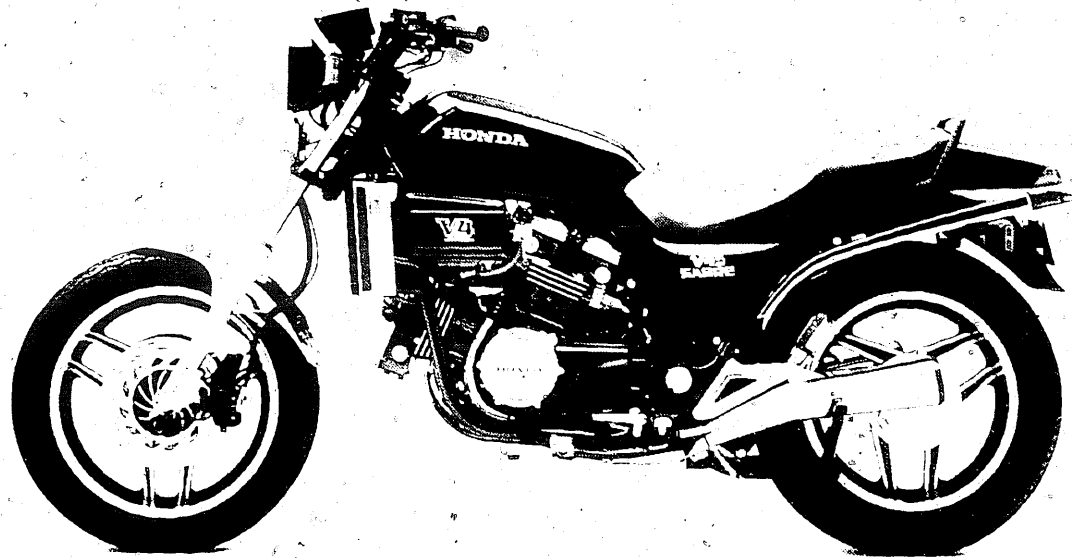
SECTION/SUBJECT	VF750S'82	VF750S'83
ENGINE		
Cylinder	Four Cylinders	Four Cylinders
Strokes	4-Stroke	4-Stroke
Cooling	Liquid Cooled	Liquid Cooled
Camshaft	OHV	OHV
Valves per cylinder	4	4
Displacement	748cc	748cc
Lubrication system	Wet Sump	Wet Sump
Carburetor	C.V.:VD50A,32mm	C.V.:VD51C
Main jet	# 132	FR: # 128, RR: # 132
Slow jet	# 38	# 40
TRANSMISSION		
Transmission type	Manual	Manual
Transmission speeds	6 Speed	6 Speed
Clutch	Manual	Manual
Shift pattern	1-2-3-4-5-OD	1-2-3-4-5-OD
CHASSIS		
Fuel tank capacity (Std)	4.8gal	4.8gal
Fuel tank capacity (Res)	1.1gal	1.1gal
Air filter type	Foam	Foam
Foam filter oil - Pro Honda	P/N: 08207-0001	P/N: 08207-0001
Front Brake	Double Disc	Double Disc
Rear Brake	Internal expand shoe	Internal expand shoe
Front tire	110/90 X 18	110/90 X 18
Tire pressure	32PSI	32PSI
Rear tire	130/90 X 17	130/90 X 17
Tire pressure	40PSI	40PSI
SERVICE/TUNING		
Valve clearance:		
Intake	0.12mm (0.005')	0.12mm (0.005')
Exhaust	0.12mm (0.005')	0.12mm (0.005')
Ignition type	CDI	CDI
Spark plug gap	0.8-0.9mm (0.031-0.035')	0.8-0.9mm (0.031-0.035')
LUBRICATION		
Recommended fuel	86+ Octane	86+ Octane

(Continued)

Model ID Photo



VF750S'82 V45 SABRE



VF750S'83 V45 SABRE

Specifications

SECTION/SUBJECT	VF750S'82	VF750S'83
LUBRICATION (continued)		
Engine oil - Pro Honda:		
GN4 10W40	P/N: 08206-0001	P/N: 08206-0001
GN4 20W50	P/N: 08206-0002	P/N: 08206-0002
Engine oil capacity:		
After draining	3.1qts	3.1qts
After reassembly	3.2qts	3.2qts
Coolant type	P/N: CUO8730	P/N: CUO8730
Coolant ratio	50:50	50:50
Drive shaft and final gear case:		
Pro Honda shaft drive oil	P/N: 08208-0080	P/N: 08208-0080
Fork oil:		
Pro Honda	P/N: 08208-0010	P/N: 08208-0010
Viscosity	10W	10W
Capacity after draining	R/H-375cc: L/H-390cc	R/H-360cc: L/H-375cc
Brake fluid - Pro Honda DOT 4 ...	P/N: 08203-0004	P/N: 08203-0004

Bulk Hose

BULK HOSE CROSS REFERENCE CHART

To convert a cut hose part number to the equivalent of roll hose simply match the two part numbers using the following chart, cutting the required length indicated by the cut hose part number.

FUEL HOSE		VACUUM HOSE	
CURRENT CATALOG LISTING	BULK HOSE PART NUMBER	CURRENT CATALOG LISTING	BULK HOSE PART NUMBER
95001-35 - - - - 2 - - - ->	95001-35003-20M	95005-35 - - - - 2 - - - ->	95005-35008
95001-35 - - - - 4 - - - ->	95001-35003-40M	95005-35 - - - - 3 - - - ->	
95001-45 - - - - 2 - - - ->	95001-45003-20M	95005-35 - - - - 1 - - - ->	
95001-45 - - - - 4 - - - ->	95001-45008-40M	95005-45 - - - - 2 - - - ->	95005-45008-10M
95001-55 - - - - 2 - - - ->	95001-55008-20M	95005-45 - - - - 3 - - - ->	
95001-55 - - - - 4 - - - ->	95001-55008-40M	95005-50 - - - - 3 - - - ->	95005-50003-30M
95001-75 - - - - 4 - - - ->	95001-75008-40M	95005-55 - - - - 2 - - - ->	95005-55003-20M
		95005-70 - - - - 3 - - - ->	95005-70003-30M
		95005-75 - - - - 1 - - - ->	95005-75003-10M
		95005-75 - - - - 2 - - - ->	
		95005-80 - - - - 1 - - - ->	95005-80008-10M
		95005-80 - - - - 2 - - - ->	
		95005-80 - - - - 3 - - - ->	
		95005-12 - - - - 2 - - - ->	95005-12003-10M

ORDERING INFORMATION

FUEL HOSE

PART NUMBER	H/C	INSIDE DIAMETER	ROLL LENGTH
95001-35003-20M	2380533	3.5 mm	3M (9.9ft)
95001-35003-40M	2380541	3.5 mm	3M (9.9ft)
95001-45003-20M	2380558	4.5 mm	3M (9.9ft)
95001-45008-30M	2324986	4.5 mm	8M (26.4ft)
95001-55008-20M	2386134	5.3 mm	8M (26.4ft)
95001-55008-30M	2385896	5.3 mm	8M (26.4ft)
95001-75003-20M	2385094	7.5 mm	3M (9.9ft)
95001-75003-30M	2385904	7.5 mm	3M (9.9ft)

VACUUM HOSE

PART NUMBER	H/C	INSIDE DIAMETER	ROLL LENGTH
95005-35008-10M	2325058	3.5 mm	8M (26.4ft)
95005-45008-10M	2325082	4.5 mm	8M (26.4ft)
95005-50003-30M	2380608	5.0 mm	3M (9.9ft)
95005-55008-10M	2386886	5.5 mm	8M (26.4ft)
95005-65003-20M	2380624	6.5 mm	3M (9.9ft)
95005-75003-10M	2380640	7.3 mm	3M (9.9ft)
95005-80008-10M	2325108	8.0 mm	8M (26.4ft)
95005-12003-10M	2380657	12.0 mm	3M (9.9ft)
95005-14003-20M	2380665	14.0 mm	3M (9.9ft)

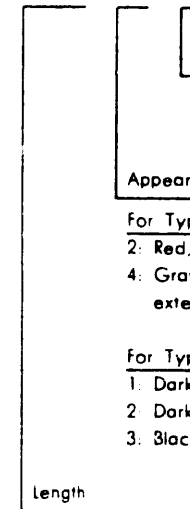
CAUTION: Damage to vacuum hose will result from contact with fuel. Do not use vacuum hose in place of fuel hose.

Bulk Hose

CONSTRUCTION OF FUEL AND VACUUM HOSE PART NUMBER

Part Number
(Example)

9 5 0 0 1 - 7 5 0 0 8 - 4 0 M



Roll Hose

All Roll hose Part Numbers have an "M" in this position

Appearance Code Key

For Type 1 ONLY Fuel

2: Red, braided exterior

4: Gray with red stripe, smooth exterior

For Type 5 ONLY Vacuum:

1: Dark gray, smooth exterior

2: Dark gray, smooth exterior

3: Black, smooth exterior

Length

Cut Hose = length is in millimeters (mm)

Bulk Hose = length is in meters (M)

Inside Diameter Code

12 = 12.0mm 55 = 5.3mm or 5.5mm

35 = 3.5mm 70 = 7.0mm

45 = 4.5mm 75 = 7.3mm or 7.5mm

50 = 5.0mm 80 = 8.0mm

Type Code Key

1 = Fuel Hose

5 = Vacuum Hose

CAUTION: Damage to vacuum hose will result from contact with fuel. Do not use vacuum hose in place of fuel hose.

COMMONLY REQUIRED REPLACEMENT PARTS

2 = VF750S'82 3 = VF750S'83		VF750S		QTY	PART NUMBER	HONDA CODE
		1 9 8 2	1 9 8 3			
Ref. No.	DESCRIPTION	2	3	REQ	FROM	TO
	BATTERY (12V 14AH YUASA)	2	3	1	31500-MB0-671	1246107
	BATTERY (12V 14AH YUASA)	2	3	1	31500-461-780	1054006
	BATTERY (12V14)	2	3	1	31500-461-770	0952614
	BATTERY (12V14)	2	3	1	31500-461-771	1053990
	BATTERY (12V14)	2	3	1	31500-461-772	1288521
	BATTERY ASSY. (YUASA)	2	3	1	31500-415-601	0905455
	BATTERY ASSY. (YUASA)	2	3	1	31500-415-671	0668244
	BATTERY ASSY. (YUASA)	2	3	1	31500-425-671	0742981
	BATTERY ASSY. (YUASA)	2	3	1	31500-425-677	1550631
	BULB, HEADLIGHT (H4 JA12V60/55W)	--	3	1	34901-MC7-601	1288612
	BULB, TAILLIGHT (12V27/7W 2057HD)	2	3	2	34906-MG9-771	1700301
	BULB, TAILLIGHT (12V 27/8W)	2	3	2	34906-341-671	0273540
	BULB, TURN SIGNAL (12V23/8W) (STANLEY)	2	3	2	34905-425-671	0824326
	BULB, TURN SIGNAL (12V 23W)	2	3	2	34905-268-671	0145318
	DISK, CLUTCH FRICTION	2	--	6	22201-MB0-003	1242551
	DISK, CLUTCH FRICTION	2	--	6	22201-MM5-000	3143401
	DISK, CLUTCH FRICTION	--	3	6	22201-MB0-003	1242551
	DISK, CLUTCH FRICTION	--	3	6	22201-MM5-000	3143401
	FILTER, OIL	2	3	1	15410-MB0-003	1241702
	FILTER, OIL	2	3	1	15410-MJ0-003	1689611
	FILTER, OIL	2	3	1	15410-MJ0-004	3481355
	FUSE B (15A)	2	3	5	98200-21500	0252387
	FUSE F (30A)	2	3	2	98200-53000	0412676
	GASKET SET	2	3	4	16010-MB0-671	1241736
	GASKET SET	2	3	4	16010-MB0-871	3516416
	GRIP, L. HANDLEBAR	2	3	1	53166-390-780	0483438
	GRIP, R. HANDLEBAR	2	3	1	53165-390-780	0483420
	HANDLEBAR, R.	2	3	1	53100-MB0-670	1249747
	HEADLIGHT UNIT	--	3	1	33120-MG5-671	1305903
	HEADLIGHT UNIT (12V 65/45W)	2	--	1	33120-MB0-671	1246339

XIV © American Honda Motor Co., Inc. 1993 14MB0CM

COMMONLY REQUIRED REPLACEMENT PARTS

2 = VF750S'82 3 = VF750S'83		VF750S		QTY	PART NUMBER	HONDA CODE
		1 9 8 2	1 9 8 3			
Ref. No.	DESCRIPTION	2	3	REQ	FROM	TO
	KEY, BLANK (TYPE 1)	2	3	(1)	35121-KW3-771	3029840
	KEY, BLANK (TYPE 1)	2	3	(1)	35121-MA6-811	1246750
	KEY, BLANK (TYPE 2)	2	3	(1)	35122-KW3-771	3029857
	KEY, BLANK (TYPE 2)	2	3	(1)	35122-MA6-811	1246768
	LENS, TURN SIGNAL	2	3	4	33402-MA6-013	1258334
	MIRROR, L.	2	3	1	88120-MB0-003	1250729
	MIRROR, R.	2	3	1	88110-MB0-003	1250703
	PLUG, SPARK (DPR7EA-9 NGK)	2	3	(2)	98069-57916	1103076
	PLUG, SPARK (DPR7EA-9 NGK)	2	3	(2)	98069-57916	1103076
	PLUG, SPARK (DPR8EA-9 NGK)	2	3	2	98069-58916	1103084
	PLUG, SPARK (DPR8EA-9 NGK)	2	3	2	98069-58916	1103084
	PLUG, SPARK (DPR9EA-9 NGK)	2	3	(2)	98069-59916	1103092
	PLUG, SPARK (DPR9EA-9 NGK)	2	3	(2)	98069-59916	1103092
	PLUG, SPARK (X22EPR-U9 ND)	2	3	(2)	98069-57926	1096817
	PLUG, SPARK (X22EPR-U9 ND)	2	3	(2)	98069-57926	1096817
	PLUG, SPARK (X24EPR-U9 ND)	2	3	2	98069-58926	1096825
	PLUG, SPARK (X24EPR-U9 ND)	2	3	2	98069-58926	1096825
	PLUG, SPARK (X27EPR-U9 ND)	2	3	(2)	98069-59926	1096833
	PLUG, SPARK (X27EPR-U9 ND)	2	3	(2)	98069-59926	1096833

14MB0CM © American Honda Motor Co., Inc. 1993 XV

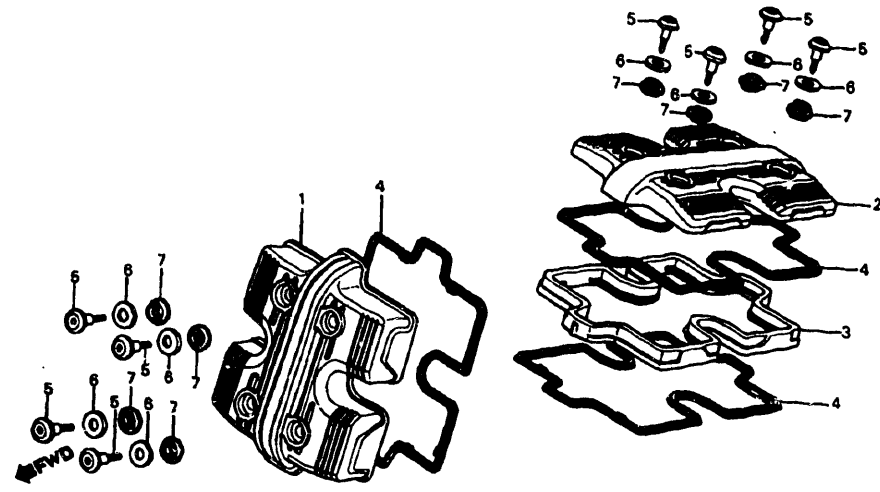
CONTENTS BY PAGE NO. SEQUENCE

PAGE TITLE	PAGE	GRID	PAGE TITLE	PAGE	GRID
CYLINDER HEAD COVER	2	B1	WIRE HARNESS • ELECTRIC PARTS-83	139	G12
CYLINDER HEAD (FRONT)	3	B1	RADIATOR	142	H2
CYLINDER HEAD (REAR)	7	B3	FRAME	146	H4
CAMSHAFT • VALVE	10	B5	TOOLS	149	H5
CAM CHAIN • TENSIONER	14	B7			
RIGHT CRANKCASE COVER	17	B8			
CLUTCH-82	19	B9			
CLUTCH-83	22	B11			
PULSER • STARTER CLUTCH	24	B12			
ALTERNATOR	26	C1			
REAR COVER • WATER PUMP	28	C2			
STARTER MOTOR	30	C3			
OIL FILTER • OIL PAN • OIL PUMP	31	C3			
CYLINDER BLOCK	34	C5			
CRANKSHAFT • PISTON	38	C7			
TRANSMISSION	48	C12			
GEARSHIFT DRUM	50	D1			
WATER PIPE • THERMOSTAT	52	D2			
CROSS SHAFT	55	D3			
CARBURETOR (ASSY.LINK)	59	D5			
CARBURETOR • (COMPONENT PARTS)	62	D7			
GASKET KIT A	64	D8			
GASKET KIT B	65	D8			
HEADLIGHT	68	E1			
INSTRUMENTS	70	E2			
SWITCH • CABLE	72	E3			
FRONT BRAKE MASTER CYL • CONTROL LEVER	74	E4			
CLUTCH MASTER CYLINDER	76	E5			
HANDLEBAR • TOP BRIDGE	78	E6			
STEERING STEM • HORN	82	E8			
FRONT FENDER	84	E9			
FRONT SHOCK ABSORBER	85	E9			
FRONT BRAKE CALIPER	90	E12			
FRONT WHEEL	92	F1			
REAR BRAKE PANEL	94	F2			
REAR WHEEL	96	F3			
FINAL DRIVEN GEAR	98	F4			
FUEL TANK	102	F6			
SEAT	105	F7			
SIDE COVER	108	F9			
BATTERY	111	F10			
AIR CLEANER-82	113	F11			
AIR CLEANER-83	116	G1			
MUFFLER	118	G2			
BRAKE PEDAL • GEARSHIFT PEDAL	121	G3			
STEP	124	G5			
STAND	126	G6			
SWINGARM	128	G7			
REAR SHOCK ABSORBER	130	G8			
REAR FENDER • SPARK UNIT	132	G9			
TURN SIGNAL	134	G10			
TAILLIGHT	136	G11			
WIRE HARNESS • IGNITION COIL-82	137	G11			

CONTENTS IN ALPHABETICAL ORDER

PAGE TITLE	PAGE	GRID	PAGE TITLE	PAGE	GRID
(COMPONENT PARTS)	62	D7	STARTER CLUTCH	24	B12
AIR CLEANER 82	113	F11	STARTER MOTOR	30	C3
AIR CLEANER 83	116	G1	STEERING STEM	82	E8
ALTERNATOR	76	C1	STEP	124	G5
BATTERY	111	F10	SWINGARM	128	G7
BRAKE CALIPER, FR.	90	E12	SWITCH	72	E3
BRAKE MASTER CYL, FR.	74	E4	TAILLIGHT	136	G11
BRAKE PANEL, RR.	94	F2	TENSIONER	14	B7
BRAKE PEDAL	121	G3	THERMOSTAT	52	D2
CABLE	72	E3	TOOLS	149	H5
CAM CHAIN	14	B7	TOP BRIDGE	78	E6
CAMSHAFT	10	B5	TRANSMISSION	48	C12
CARBURETOR	62	D7	TURN SIGNAL	134	G10
CARBURETOR (ASSY.LINK)	59	D5	VALVE	10	B5
CLUTCH 82	19	B9	WATER PIPE	52	D2
CLUTCH 83	22	B11	WATER PUMP	28	C2
CLUTCH MASTER CYLINDER	76	E5	WHEEL, FR.	92	F1
CONTROL LEVER	74	E4	WHEEL, RR.	96	F3
COVER, RR.	28	C2	WIRE HARNESS 82	137	G11
CRANKCASE COVER, R.	17	B8	WIRE HARNESS 83	139	G12
CRANKSHAFT	38	C7			
CROSS SHAFT	55	D3			
CYLINDER BLOCK	34	C5			
CYLINDER HEAD (FRONT)	3	B1			
CYLINDER HEAD (REAR)	7	B3			
CYLINDER HEAD COVER	2	B1			
ELECTRIC PARTS 83	139	G12			
FENDER, FR.	84	E9			
FENDER, RR.	132	G9			
FINAL DRIVEN GEAR	98	F4			
FRAME	146	H4			
FUEL TANK	102	F6			
GASKET KIT A	64	D8			
GASKET KIT B	65	D8			
GEARSHIFT DRUM	50	D1			
GEARSHIFT PEDAL	121	G3			
HANDLEBAR	78	E6			
HEADLIGHT	68	E1			
HORN	82	E8			
IGNITION COIL 82	137	G11			
INSTRUMENTS	70	E2			
MUFFLER	118	G2			
OIL FILTER	31	C3			
OIL PAN	31	C3			
OIL PUMP	31	C3			
PISTON	38	C7			
PULSER	24	B12			
RADIATOR	142	H2			
SEAT	105	F7			
SHOCK ABSORBER, FR.	85	E9			
SHOCK ABSORBER, RR.	130	G8			
SIDE COVER	108	F9			
SPARK UNIT	132	G9			
STAND	126	G6			

CYLINDER HEAD COVER



E14MB0C01

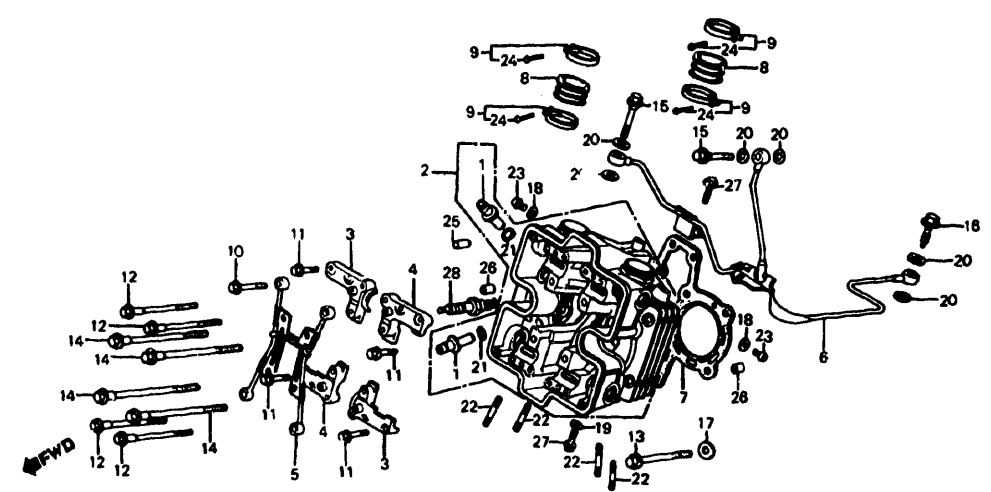
Ref. No.	BLOCK NO. DESCRIPTION	VF750S		ENGINE SERIAL NUMBER	QTY REQ	PART NUMBER	HONDA CODE
		1	1				
		982	983				
		2	3	FROM TO			
1	COVER A, CYLINDER HEAD	2	3	-----	1	12311-MB0-000	1240985
2	COVER B, CYLINDER HEAD	2	3	-----	1	12321-MB0-000	1240993
3	BASE, HEAD COVER	2	3	-----	1	12341-MB0-000	1241009
4	GASKET, HEAD COVER	2	3	-----	3	12391-MB0-000	1241017
	GASKET, HEAD COVER	2	3	-----	3	12391-MB0-010	2094035
5	BOLT, SPECIAL, 6X29	2	3	-----	8	90017-MB0-000	1243427
6	WASHER, MOUNTING RUBBER	2	3	-----	8	90541-MB0-000	1243690
7	RUBBER, MOUNTING	2	3	-----	8	90542-MB0-000	1243708

2 © AMERICAN HONDA MOTOR CO., LTD. 1993

B1

VF750S'82 ENGINE NO.; RC07E-2000066 TO 2015996
 VF750S'82 FRAME NO.; RC070-CM000036 TO CM012083
 VF750S'83 ENGINE NO.; RC07E-2100018 TO 2115544
 VF750S'83 FRAME NO.; RC070-DM100006 TO DM108632

CYLINDER HEAD (FRONT)



E14MB0C02

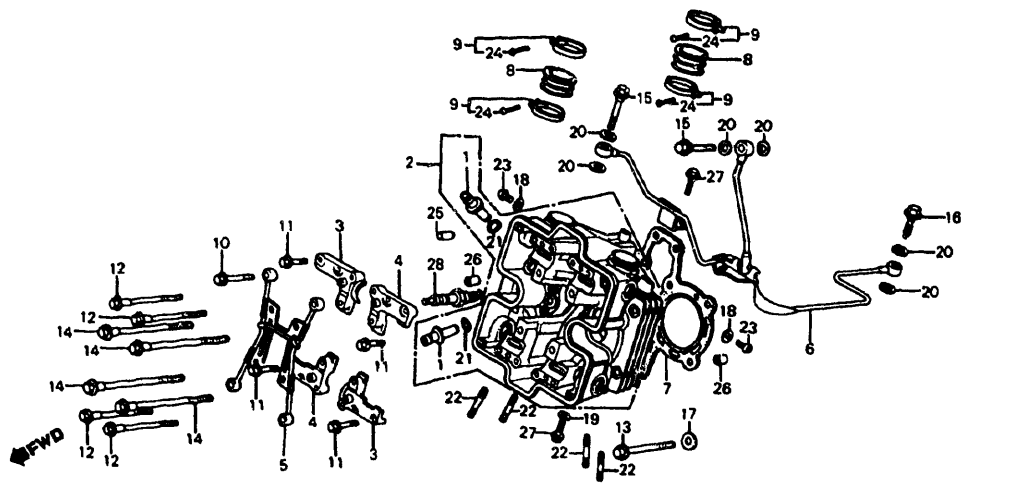
Ref. No.	BLOCK NO. DESCRIPTION	VF750S		ENGINE SERIAL NUMBER	QTY REQ	PART NUMBER	HONDA CODE
		1	1				
		982	983				
		2	3	FROM TO			
1	GUIDE, VALVE	2	--	-----	8	12204-MB0-305	1240910
	GUIDE, EX. VALVE	--	3	-----	8	12204-MB0-405	1390087
	GUIDE, VALVE (O.S.)	--	3	-----	8	12204-MS2-305	3371465
2	HEAD COMP., FR. CYLINDER	2	--	-----	1	12210-MB0-000	1240928
	HEAD COMP., FR. CYLINDER	2	--	-----	1	12210-MB0-405	1424688
	HEAD COMP., FR. CYLINDER	2	3	-----	1	12210-MB0-305	2107373
	HEAD COMP., FR. CYLINDER	--	3	-----	1	12210-MB0-770	1288893
3	HOLDER A, CAMSHAFT	2	--	-----	2	12211-MB0-000	1240936
	HOLDER A, CAMSHAFT	2	--	-----	2	12211-MB0-010	1285337
	HOLDER A, CAMSHAFT	2	--	-----	2	12211-MB0-010	1285337
	HOLDER A, CAMSHAFT	--	3	-----	2	12211-MB0-770	1288968
	HOLDER A, CAMSHAFT	--	3	-----	2	12211-MB0-771	1455831
	HOLDER A, CAMSHAFT	--	3	-----	2	12211-MB0-771	1455831
	HOLDER A, CAMSHAFT	--	3	-----	2	12211-MB0-772	1853480
	HOLDER A, CAMSHAFT	--	3	-----	2	12211-MB0-772	1853480
	HOLDER A, CAMSHAFT	--	3	-----	2	12211-MB0-773	2001485
	HOLDER A, CAMSHAFT	--	3	-----	2	12211-MB0-773	2001485

© AMERICAN HONDA MOTOR CO., LTD. 1993 3

CONTENTS

TITLE	PAGE	GRID
ALTERNATOR	26	C1
CAM CHAIN	14	B7
CAMSHAFT	10	B5
CARBURETOR (ASSY LINK)	59	D5
CARBURETOR (COMP. PARTS)	62	D7
CLUTCH 82	19	B9
CLUTCH 83	22	B11
COVER, RR	28	C2
CRANKCASE COVER, R	17	B8
CRANKSHAFT	38	C7
CROSS SHAFT	55	D3
CYLINDER BLOCK	34	C5
CYLINDER HEAD (FRONT)	3	B1
CYLINDER HEAD (REAR)	7	B3
CYLINDER HEAD COVER	2	B1
GASKET KIT A	64	D8
GASKET KIT B	65	D8
GEARSHIFT DRUM	50	D1
OIL FILTER	31	C3
OIL PAN	31	C3
OIL PUMP	31	C3
PISTON	38	C7
PULSER	24	B12
STARTER CLUTCH	24	B12
STARTER MOTOR	30	C3
TENSIONER	14	B7
THERMOSTAT	52	D2
TRANSMISSION	48	C12
VALVE	10	B5
WATER PIPE	52	D2
WATER PUMP	28	C2

CYLINDER HEAD (FRONT)



E14MB0C02

Ref. No.	BLOCK NO. DESCRIPTION	VF750S		ENGINE SERIAL NUMBER	QTY REQ	PART NUMBER	HONDA CODE
		1 9 8 2	1 9 8 3				
2 = VF750S'82 3 = VF750S'83							
4	HOLDER B, CAMSHAFT	2	---	2015902	2	12212-MB0-000	1240944
	HOLDER B, CAMSHAFT	2	---	2015902	2	12212-MB0-010	1285345
		2	---	---	2	12212-MB0-010	1285345
	HOLDER B, CAMSHAFT	2	---	2015902	2	12212-MB0-770	1288984
		2	---	---	2	12212-MB0-770	1288984
		---	3	2115140	2	12212-MB0-770	1288984
	HOLDER B, CAMSHAFT	2	---	2015902	2	12212-MB0-771	1455849
		2	3	---	2	12212-MB0-771	1455849
		---	3	2115140	2	12212-MB0-771	1455849
	HOLDER B, CAMSHAFT	2	---	2015902	2	12212-MB0-772	1853498
		2	3	---	2	12212-MB0-772	1853498
		---	3	2115140	2	12212-MB0-772	1853498
	HOLDER B, CAMSHAFT	2	---	2015902	2	12212-MB0-773	2016830
		2	3	---	2	12212-MB0-773	2016830
		---	3	2115140	2	12212-MB0-773	2016830
5	PIPE A, OIL PATH	2	3	---	1	12230-MB0-000	1240951
	PIPE A, OIL PATH	2	3	---	1	12230-MB0-010	2016863
6	PIPE B, OIL PATH	2	---	---	1	12240-MB0-000	1240969
	PIPE B, OIL PATH	2	3	---	1	12240-MB0-770	1289081

© AMERICAN HONDA MOTOR CO. LTD. 1993

B2

VF750S'82 ENGINE NO.; RC07E-2000066 TO 2015996
 VF750S'82 FRAME NO.; RC070-CM00036 TO CM012083
 VF750S'83 ENGINE NO.; RC07E-2100018 TO 2115544
 VF750S'83 FRAME NO.; RC070-DM100006 TO DM108632

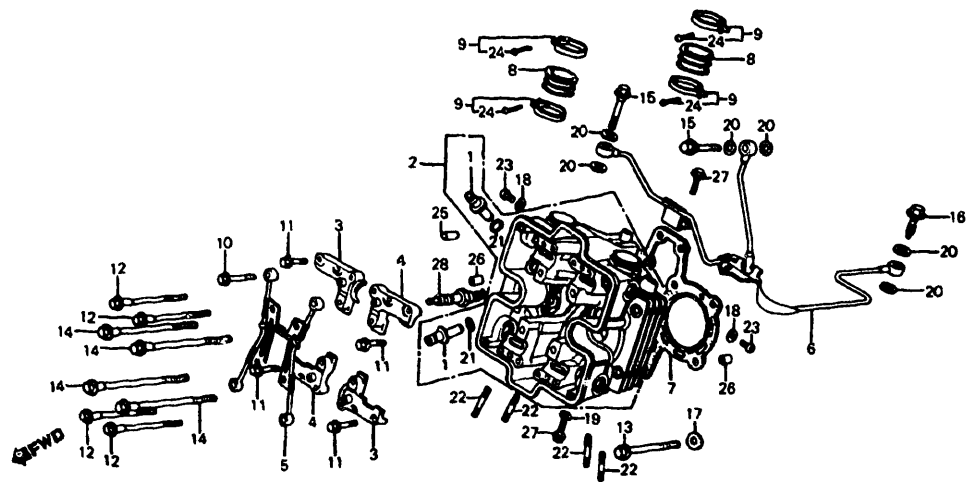
Ref. No.	BLOCK NO. DESCRIPTION	VF750S		ENGINE SERIAL NUMBER	QTY REQ	PART NUMBER	HONDA CODE
		1 9 8 2	1 9 8 3				
2 = VF750S'82 3 = VF750S'83							
6	PIPE B, OIL PATH	2	---	---	1	12240-MB0-870	1780881
	PIPE B, OIL PATH	2	3	---	1	12240-MB0-871	3354651
	PIPE B, OIL PATH	2	3	---	1	12240-MN0-000	2523843
7	GASKET, CYLINDER HEAD	2	3	---	1	12251-MB0-003	1240977
8	INSULATOR, CARBURETOR	2	---	---	2	16211-MB0-000	1242106
	INSULATOR B, CARBURETOR	---	3	---	2	16212-MB0-770	1290089
9	BAND, INSULATOR	2	---	---	4	16219-MB0-000	1242114
	BAND, INSULATOR	2	3	---	4	16219-MB0-770	1312701
10	BOLT, FLANGE, 6X52	2	3	---	4	90001-MB0-000	1243336
11	BOLT, FLANGE, 6X43	2	---	---	4	90003-MB0-000	1243344
	BOLT, FLANGE, 6X54	---	3	---	4	90003-MB0-770	1292077
12	BOLT, UBS, 8X151	2	3	---	4	90006-MB0-000	1243351
	BOLT, UBS, 8X151	2	3	---	4	90006-MB0-010	1762137
13	BOLT, UBS, 9X93	2	---	---	4	90011-MB0-000	1243369
	BOLT, UBS, 9X91	---	3	---	4	90011-MB0-770	1292085
14	BOLT, UBS, 9X177	2	3	---	4	90012-MB0-003	1243385
15	BOLT, OIL	2	---	---	2	90025-MB0-000	1243443
	BOLT, OIL	---	3	---	2	90025-MB0-771	1316975
16	BOLT COMP., OIL CONTROL	2	---	---	1	90045-MB0-000	1243476
	BOLT COMP., OIL CONTROL	---	3	---	1	90045-MB0-770	1292093
17	WASHER, SEALING, 9MM	2	---	---	4	90441-MB0-000	1243609
18	WASHER, THRUST, 5MM	2	3	---	2	90452-323-000	0255224
19	WASHER, SEALING, 6.5X12	2	3	---	1	90461-357-000	0350215
20	WASHER, OIL BOLT	2	3	---	6	90545-300-000	0189902
21	O-RING, 10X1.6	2	---	---	8	91301-200-000	0022673
22	BOLT, STUD, 6X45	2	3	---	4	92700-06045	0156943
	BOLT, STUD, 6X32	2	3	---	4	92900-06032-0B	2601912
	BOLT 2, STUD, 6X32	2	3	---	4	92900-06032-0E	2532687
23	SCREW, PAN, 5X8	2	3	---	2	93500-05008-0G	0331363
24	SCREW, PAN, 5X25	2	3	---	4	93500-05025-0G	0477471
25	PIN A, DOWEL, 8X14	2	3	---	4	94301-08140	0069310
26	PIN A, DOWEL, 12X20	2	3	---	6	94301-12200	0165324

© AMERICAN HONDA MOTOR CO. LTD. 1993

CONTENTS

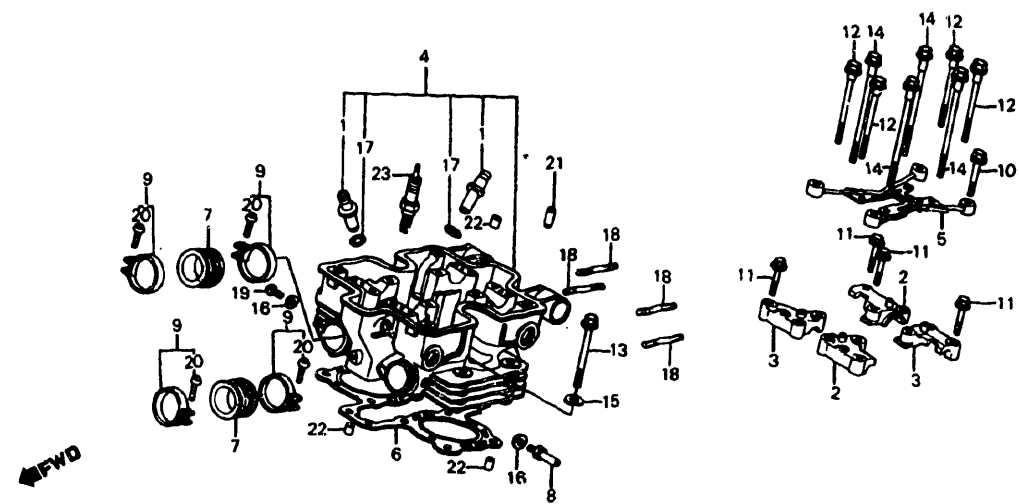
TITLE	PAGE	GRID
ALTERNATOR	26	C1
CAM CHAIN	14	B7
CAMSHAFT	10	B5
CARBURETOR (ASSY.LINK)	59	D5
CARBURETOR (COMP. PARTS)	62	D7
CLUTCH B2	19	B9
CLUTCH B3	22	B11
COVER, RR.	28	C2
CRANKCASE COVER, R.	17	B8
CRANKSHAFT	38	C7
CROSS SHAFT	55	D3
CYLINDER BLOCK	34	C5
CYLINDER HEAD (FRONT)	3	B1
CYLINDER HEAD (REAR)	7	B3
CYLINDER HEAD COVER	2	B1
GASKET KIT A	64	D8
GASKET KIT B	65	D8
GEARSHIFT DRUM	50	D1
OIL FILTER	31	C3
OIL PAN	31	C3
OIL PUMP	31	C3
PISTON	38	C7
PULSER	24	B12
STARTER CLUTCH	24	B12
STARTER MOTOR	30	C3
TENSIONER	14	B7
THERMOSTAT	52	D2
TRANSMISSION	48	C12
VALVE	10	B5
WATER PIPE	52	D2
WATER PUMP	28	C2

CYLINDER HEAD (FRONT)



E14MB0C02

CYLINDER HEAD (REAR)



E14MB0C0201

CONTENTS

TITLE	PAGE	GRID
ALTERNATOR	26	C1
CAM CHAIN	14	B7
CAMSHAFT	10	B5
CARBURETOR (ASSY.LINK)	59	D5
CARBURETOR (COMP. PARTS)	62	D7
CLUTCH 82	19	B9
CLUTCH 83	22	B11
COVER, RR.	28	C2
CRANKCASE COVER, R.	17	B8
CRANKSHAFT	38	C7
CROSS SHAFT	55	D3
CYLINDER BLOCK	34	C5
CYLINDER HEAD (FRONT)	3	B1
CYLINDER HEAD (REAR)	7	B3
CYLINDER HEAD COVER	2	B1
GASKET KIT A	64	D8
GASKET KIT B	65	D8
GEARSHIFT DRUM	50	D1
OIL FILTER	31	C3
OIL PAN	31	C3
OIL PUMP	31	C3
PISTON	38	C7
PULSER	24	B12
STARTER CLUTCH	24	B12
STARTER MOTOR	30	C3
TENSIONER	14	B7
THERMOSTAT	52	D2
TRANSMISSION	48	C12
VALVE	10	B5
WATER PIPE	52	D2
WATER PUMP	28	C2

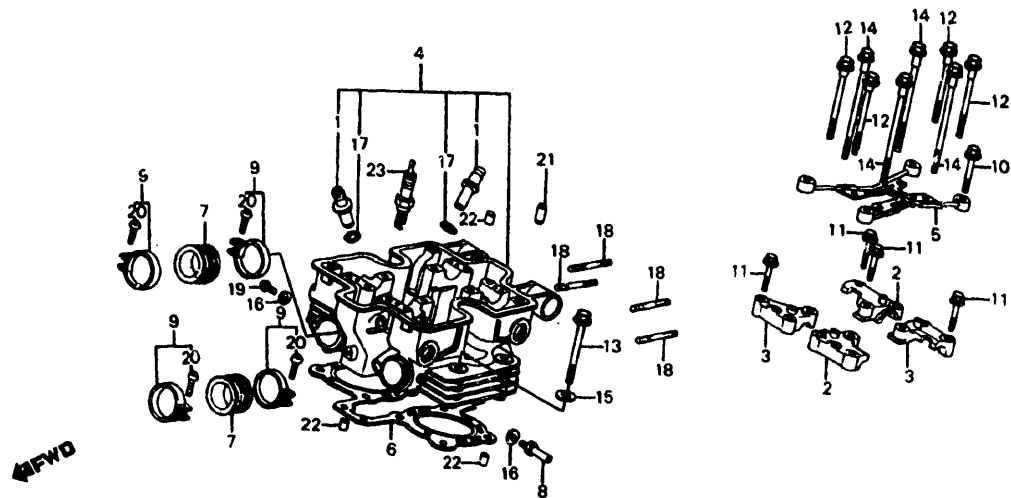
Ref. No.	BLOCK NO. DESCRIPTION	E-2	VF750S		QTY REQ	PART NUMBER	HONDA CODE
			1	1			
			9	9			
			8	8			
			2	3			
27	BOLT, FLANGE, 6X12		2	3	2	95700-06012-00	0487025
	BOLT, FLANGE, 6X12		2	3	2	95701-06012-00	2105799
28	PLUG, SPARK (DPR7EA-9 NGK)		2	3	(2)	98069-57916	1103076
	PLUG, SPARK (X22EPR-U9 ND)		2	3	(2)	98069-57926	1096817
	PLUG, SPARK (DPR8EA-9 NGK)		2	3	2	98069-58916	1103084
	PLUG, SPARK (X24EPR-U9 ND)		2	3	2	98069-58926	1096825
	PLUG, SPARK (DPR9EA-9 NGK)		2	3	(2)	98069-59916	1103092
	PLUG, SPARK (X27EPR-U9 ND)		2	3	(2)	98069-59926	1096833

Ref. No.	BLOCK NO. DESCRIPTION	E-2-1	VF750S		QTY REQ	PART NUMBER	HONDA CODE
			1	1			
			9	9			
			8	8			
			2	3			
1	GUIDE, VALVE		2	--	8	12204-MB0-305	1240910
	GUIDE, EX. VALVE		--	3	8	12204-MB0-405	1390087
	GUIDE, VALVE (O.S.)		--	3	8	12204-MS2-305	3371465
2	HOLDER A, CAMSHAFT		2	--	2	12211-MB0-000	1240936
	HOLDER A, CAMSHAFT		2	--	2	12211-MB0-010	1285337
	HOLDER A, CAMSHAFT		2	--	2	12211-MB0-010	1285337
	HOLDER A, CAMSHAFT		--	3	2	12211-MB0-770	1288968
	HOLDER A, CAMSHAFT		--	3	2	12211-MB0-771	1455831
	HOLDER A, CAMSHAFT		--	3	2	12211-MB0-771	1455831
	HOLDER A, CAMSHAFT		--	3	2	12211-MB0-772	1853480
	HOLDER A, CAMSHAFT		--	3	2	12211-MB0-772	1853480
	HOLDER A, CAMSHAFT		--	3	2	12211-MB0-773	2001485
	HOLDER A, CAMSHAFT		--	3	2	12211-MB0-773	2001485
3	HOLDER B, CAMSHAFT		2	--	2	12212-MB0-000	1240944
	HOLDER B, CAMSHAFT		2	--	2	12212-MB0-010	1285345
	HOLDER B, CAMSHAFT		2	--	2	12212-MB0-010	1285345

6 © AMERICAN HONDA MOTOR CO., LTD. 1993 B3
 VF750S'82 ENGINE NO.; RC07E-2000066 TO 2015996
 VF750S'82 FRAME NO.; RCO70-CM000036 TO CM012083
 VF750S'83 ENGINE NO.; RC07E-2100018 TO 2115544
 VF750S'83 FRAME NO.; RCO70-DM100006 TO DM108632

7 © AMERICAN HONDA MOTOR CO., LTD. 1993
 VF750S'82 ENGINE NO.; RC07E-2000066 TO 2015996
 VF750S'82 FRAME NO.; RCO70-CM000036 TO CM012083
 VF750S'83 ENGINE NO.; RC07E-2100018 TO 2115544
 VF750S'83 FRAME NO.; RCO70-DM100006 TO DM108632

CYLINDER HEAD (REAR)



E14MB0C0201

Ref. No.	BLOCK NO. E-2-1	DESCRIPTION	VF750S		QTY REQ	PART NUMBER	HONDA CODE	
			1982	1983				
2	VF750S'82							
3	VF750S'83							
3		HOLDER B, CAMSHAFT	2	--		2015902	12212-MB0-770	1288984
			2	--			12212-MB0-770	1288984
			--	3		2115140	12212-MB0-770	1288984
		HOLDER B, CAMSHAFT	2	--		2015902	12212-MB0-771	1455849
			2	3			12212-MB0-771	1455849
			--	3		2115140	12212-MB0-771	1455849
		HOLDER B, CAMSHAFT	2	--		2015902	12212-MB0-772	1853498
			2	3			12212-MB0-772	1853498
			--	3		2115140	12212-MB0-772	1853498
4		HEAD COMP., RR. CYLINDER	2	--			12220-MB0-000	1244060
		HEAD COMP., RR. CYLINDER	2	--			12220-MB0-405	1393735
		HEAD COMP., RR. CYLINDER	--	3			12220-MB0-770	1289073
5		PIPE A, OIL PATH	2	3			12230-MB0-000	1240951
		PIPE A, OIL PATH	2	3			12230-MB0-010	2016863
6		GASKET, CYLINDER HEAD	2	3			12251-MB0-003	1240977

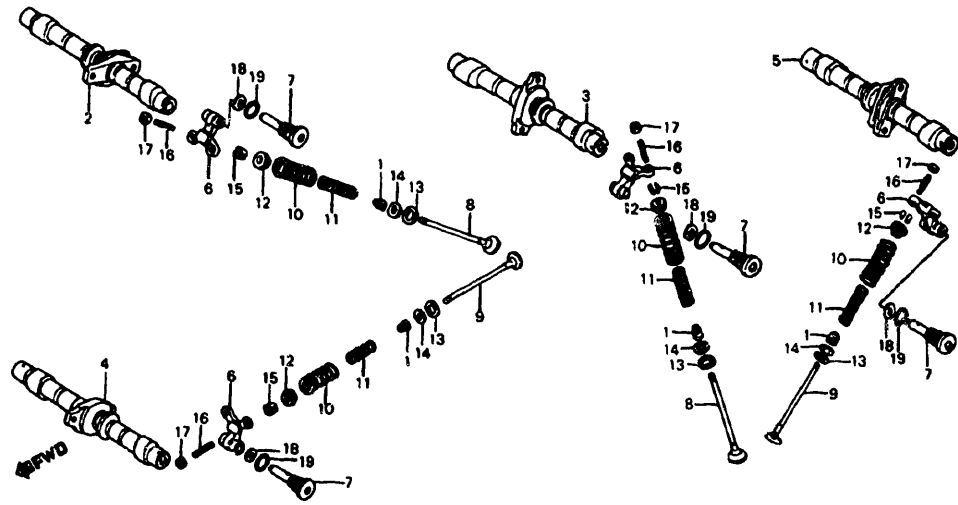
Ref. No.	BLOCK NO. E-2-1	DESCRIPTION	VF750S		QTY REQ	PART NUMBER	HONDA CODE	
			1982	1983				
2	VF750S'82							
3	VF750S'83							
7		INSULATOR, CARBURETOR	2	--			16211-MB0-000	1242106
		INSULATOR B, CARBURETOR	--	3			16212-MB0-770	1290089
8		JOINT, BOOST	2	3			16214-MB0-000	1244193
9		BAND, INSULATOR	2	--			16219-MB0-000	1242114
		BAND, INSULATOR	2	3			16219-MB0-770	1312701
10		BOLT, FLANGE, 6X52	2	3			90001-MB0-000	1243336
11		BOLT, FLANGE, 6X43	2	--			90003-MB0-000	1243344
		BOLT, FLANGE, 6X54	--	3			90003-MB0-770	1292077
12		BOLT, UBS, 8X151	2	3			90006-MB0-000	1243351
		BOLT, UBS, 8X151	2	3			90006-MB0-010	1762137
13		BOLT, UBS, 9X93	2	--			90011-MB0-000	1243369
		BOLT, UBS, 9X91	--	3			90011-MB0-770	1292085
14		BOLT, UBS, 9X177	2	3			90012-MB0-003	1243385
15		WASHER, SEALING, 9MM	2	--			90441-MB0-000	1243609
16		WASHER, THRUST, 5MM	2	3			90452-323-000	0255224
17		O-RING, 10X1.6	2	--			91301-200-000	0022673
18		BOLT, STUD, 6X45	2	3			92700-06045	0156943
		BOLT, STUD, 6X32	2	3			92900-06032-0B	2601912
		BOLT 2, STUD, 6X32	2	3			92900-06032-0E	2532687
19		SCREW, PAN, 5X8	2	3			93500-05008-0G	0331363
20		SCREW, PAN, 5X25	2	3			93500-05025-0G	0477471
21		PIN A, DOWEL, 8X14	2	3			94301-08140	0069310
22		PIN A, DOWEL, 12X20	2	3			94301-12200	0165324
23		PLUG, SPARK (DPR7EA-9 NGK)	2	3			(2) 98069-57916	1103076
		PLUG, SPARK (X22EPR-U9 ND)	2	3			(2) 98069-57926	1096817
		PLUG, SPARK (DPR8EA-9 NGK)	2	3			98069-58916	1103084
		PLUG, SPARK (X24EPR-U9 ND)	2	3			98069-58926	1096825
		PLUG, SPARK (DPR9EA-9 NGK)	2	3			(2) 98069-59916	1103092
		PLUG, SPARK (X27EPR-U9 ND)	2	3			(2) 98069-59926	1096833

CONTENTS

TITLE	PAGE	GRID
ALTERNATOR	26	C1
CAM CHAIN	14	B7
CAMSHAFT	10	B5
CARBURETOR (ASSY.LINK)	59	D5
CARBURETOR (COMP. PARTS)	62	D7
CLUTCH B2	19	B9
CLUTCH B3	22	B11
COVER, RR.	28	C2
CRANKCASE COVER, R.	17	B8
CRANKSHAFT	38	C7
CROSS SHAFT	55	D3
CYLINDER BLOCK	34	C5
CYLINDER HEAD (FRONT)	3	B1
CYLINDER HEAD (REAR)	7	B3
CYLINDER HEAD COVER	2	B1
GASKET KIT A	64	D8
GASKET KIT B	65	D8
GEARSHIFT DRUM	50	D1
OIL FILTER	31	C3
OIL PAN	31	C3
OIL PUMP	31	C3
PISTON	38	C7
PULSER	24	B12
STARTER CLUTCH	24	B12
STARTER MOTOR	30	C3
TENSIONER	14	B7
THERMOSTAT	52	D2
TRANSMISSION	48	C12
VALVE	10	B5
WATER PIPE	52	D2
WATER PUMP	28	C2

VF750S'82 ENGINE NO.; RC07E-2000066 TO 2015996
 VF750S'82 FRAME NO.; RC070-CM000036 TO CM012083
 VF750S'83 ENGINE NO.; RC07E-2100018 TO 2115544
 VF750S'83 FRAME NO.; RC070-DM100006 TO DM108632

CAMSHAFT • VALVE



E14MB0C03

Ref. No.	BLOCK NO. DESCRIPTION	VF750S		QTY REQ	PART NUMBER	HONDA CODE
		1 9 8 2	1 9 8 3			
		ENGINE SERIAL NUMBER				
		2	3	FROM	TO	
2	VF750S'82 VF750S'83					
1	SEAL, VALVE STEM	2	3	-----	-----	16 12209-422-005 0688887
2	CAMSHAFT COMP., FR. IN.	2	--	-----	2015012	1 14111-MB0-000 1241363
	CAMSHAFT COMP., FR. IN.	2	--	-----	2015012	1 14111-MB0-010 1317130
	CAMSHAFT COMP., FR. IN.	2	--	-----	2015012	1 14111-MB0-305 1944255
	CAMSHAFT COMP., FR. IN.	2	--	-----	2015012	1 14119-MB0-305 1980085
	CAMSHAFT COMP., FR. IN.	2	--	-----	2015012	1 14119-MB0-315 2055135
	CAMSHAFT COMP., FR. IN.	2	--	-----	2015012	1 14119-MB0-315 2055135
	CAMSHAFT COMP., FR. IN.	--	3	-----	2121691	1 14111-MB0-770 1289123
	CAMSHAFT COMP., FR. IN.	--	3	-----	2121691	1 14111-MB0-771 1696632
	CAMSHAFT COMP., FR. IN.	--	3	-----	2121691	1 14111-MB0-771 1696632
	CAMSHAFT COMP., FR. IN.	--	3	-----	2121691	1 14111-MB0-773 1918457
	CAMSHAFT COMP., FR. IN.	--	3	-----	2121691	1 14111-MB0-773 1918457
	CAMSHAFT COMP., FR. IN.	--	3	-----	2121691	1 14111-MB0-774 2024578
	CAMSHAFT COMP., FR. IN.	--	3	-----	2121691	1 14111-MB0-774 2024578
	CAMSHAFT COMP., FR. IN.	--	3	-----	2121691	1 14111-MB0-775 2024586
	CAMSHAFT COMP., FR. IN.	--	3	-----	2121691	1 14111-MB0-775 2024586
3	CAMSHAFT COMP., RR. IN.	2	--	-----	2015012	1 14121-MB0-000 1241371

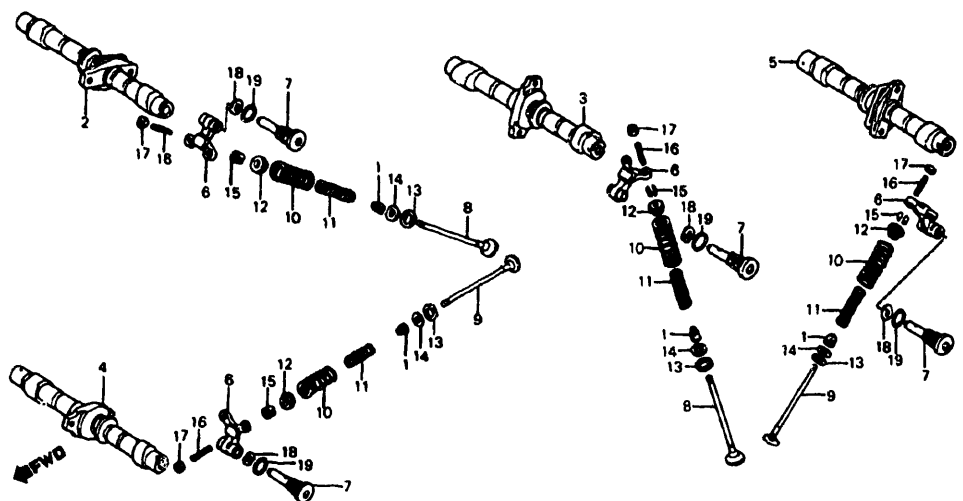
Ref. No.	BLOCK NO. DESCRIPTION	VF750S		QTY REQ	PART NUMBER	HONDA CODE
		1 9 8 2	1 9 8 3			
		ENGINE SERIAL NUMBER				
		2	3	FROM	TO	
3	CAMSHAFT COMP., RR. IN.	2	--	-----	2015012	1 14121-MB0-010 1307602
	CAMSHAFT COMP., RR. IN.	2	--	-----	2015012	1 14121-MB0-305 1944263
	CAMSHAFT COMP., RR. IN.	2	--	-----	2015012	1 14129-MB0-305 1980093
	CAMSHAFT COMP., RR. IN.	2	--	-----	2015012	1 14129-MB0-315 2050359
	CAMSHAFT COMP., RR. IN.	2	--	-----	2015012	1 14129-MB0-315 2050359
	CAMSHAFT COMP., RR. IN.	--	3	-----	2121691	1 14121-MB0-770 1289156
	CAMSHAFT COMP., RR. IN.	--	3	-----	2121691	1 14121-MB0-771 1537091
	CAMSHAFT COMP., RR. IN.	--	3	-----	2121691	1 14121-MB0-771 1537091
	CAMSHAFT COMP., RR. IN.	--	3	-----	2121691	1 14121-MB0-773 1918473
	CAMSHAFT COMP., RR. IN.	--	3	-----	2121691	1 14121-MB0-773 1918473
	CAMSHAFT COMP., RR. IN.	--	3	-----	2121691	1 14121-MB0-774 2050904
	CAMSHAFT COMP., RR. IN.	--	3	-----	2121691	1 14121-MB0-774 2050904
	CAMSHAFT COMP., RR. IN.	--	3	-----	2121691	1 14121-MB0-775 2050912
	CAMSHAFT COMP., RR. IN.	--	3	-----	2121691	1 14121-MB0-775 2050912
4	CAMSHAFT COMP., FR. EX.	2	--	-----	2015012	1 14131-MB0-000 1241389
	CAMSHAFT COMP., FR. EX.	2	--	-----	2015012	1 14131-MB0-010 1294628
	CAMSHAFT COMP., FR. EX.	2	--	-----	2015012	1 14131-MB0-305 1944271
	CAMSHAFT COMP., FR. EX.	2	--	-----	2015012	1 14139-MB0-305 1980101
	CAMSHAFT COMP., FR. EX.	2	--	-----	2015012	1 14139-MB0-315 2055143
	CAMSHAFT COMP., FR. EX.	2	--	-----	2015012	1 14139-MB0-315 2055143
	CAMSHAFT COMP., FR. EX.	--	3	-----	2121691	1 14131-MB0-770 1289180
	CAMSHAFT COMP., FR. EX.	--	3	-----	2121691	1 14131-MB0-771 1548502
	CAMSHAFT COMP., FR. EX.	--	3	-----	2121691	1 14131-MB0-771 1548502
	CAMSHAFT COMP., FR. EX.	--	3	-----	2121691	1 14131-MB0-773 1918481
	CAMSHAFT COMP., FR. EX.	--	3	-----	2121691	1 14131-MB0-773 1918481
	CAMSHAFT COMP., FR. EX.	--	3	-----	2121691	1 14131-MB0-774 2025567
	CAMSHAFT COMP., FR. EX.	--	3	-----	2121691	1 14131-MB0-774 2025567
	CAMSHAFT COMP., FR. EX.	--	3	-----	2121691	1 14131-MB0-775 2025575
	CAMSHAFT COMP., FR. EX.	--	3	-----	2121691	1 14131-MB0-775 2025575
5	CAMSHAFT COMP., RR. EX.	2	--	-----	2015012	1 14141-MB0-000 1241397
	CAMSHAFT COMP., RR. EX.	2	--	-----	2015012	1 14141-MB0-010 1277425
	CAMSHAFT COMP., RR. EX.	2	--	-----	2015012	1 14141-MB0-305 1944289
	CAMSHAFT COMP., RR. EX.	2	--	-----	2015012	1 14149-MB0-305 1980119
	CAMSHAFT COMP., RR. EX.	2	--	-----	2015012	1 14149-MB0-315 2055150
	CAMSHAFT COMP., RR. EX.	2	--	-----	2015012	1 14149-MB0-315 2055150
	CAMSHAFT COMP., RR. EX.	--	3	-----	2121691	1 14141-MB0-770 1289214

CONTENTS

TITLE	PAGE	GRID
ALTERNATOR	26	C1
CAM CHAIN	14	B7
CAMSHAFT	10	B5
CARBURETOR (ASSY.LINK)	59	D5
CARBURETOR (COMP. PARTS)	62	D7
CLUTCH 82	19	B9
CLUTCH 83	22	B11
COVER, RR.	28	C2
CRANKCASE COVER, R.	17	B8
CRANKSHAFT	38	C7
CROSS SHAFT	55	D3
CYLINDER BLOCK	34	C5
CYLINDER HEAD (FRONT)	3	B1
CYLINDER HEAD (REAR)	7	B3
CYLINDER HEAD COVER	2	B1
GASKET KIT A	64	D8
GASKET KIT B	65	D8
GEARSHIFT DRUM	50	D1
OIL FILTER	31	C3
OIL PAN	31	C3
OIL PUMP	31	C3
PISTON	38	C7
PULSER	24	B12
STARTER CLUTCH	24	B12
STARTER MOTOR	30	C3
TENSIONER	14	B7
THERMOSTAT	52	D2
TRANSMISSION	48	C12
VALVE	10	B5
WATER PIPE	52	D2
WATER PUMP	28	C2

VF750S'82 ENGINE NO.; RC07E-2000066 TO 2015996
 VF750S'82 FRAME NO.; RC070-CM000036 TO CM012083
 VF750S'83 ENGINE NO.; RC07E-2100018 TO 2115544
 VF750S'83 FRAME NO.; RC070-DM100006 TO DM108632

CAMSHAFT • VALVE



E14MB0C03

Ref. No.	BLOCK NO. DESCRIPTION	VF750S		ENGINE SERIAL NUMBER	QTY REQ	PART NUMBER	HONDA CODE
		1 9 8 2	1 9 8 3				
2	VF750S'82						
3	VF750S'83						
5	CAMSHAFT COMP., RR. EX.	--	3	-----	2121691	1	14141-MB0-771 1670777
			3	-----	-----	1	14141-MB0-771 1670777
	CAMSHAFT COMP., RR. EX.	--	3	-----	2121691	1	14141-MB0-773 1980317
			3	-----	-----	1	14141-MB0-773 1980317
	CAMSHAFT COMP., RR. EX.	--	3	-----	2121691	1	14141-MB0-774 2044543
			3	-----	-----	1	14141-MB0-774 2044543
	CAMSHAFT COMP., RR. EX.	--	3	-----	2121691	1	14141-MB0-775 2044550
			3	-----	-----	1	14141-MB0-775 2044550
6	ARM, VALVE ROCKER	2	3	-----	-----	8	14611-MB0-000 1241595
7	SHAFT, VALVE ROCKER ARM	2	--	-----	-----	8	14631-MB0-000 1241603
	SHAFT, VALVE ROCKER ARM	2	3	-----	-----	8	14631-KE8-000 1289271
8	VALVE, IN.	2	3	-----	-----	8	14711-MB0-000 1241611
9	VALVE, EX.	2	3	-----	-----	8	14721-MB0-000 1241629
10	SPRING, VALVE OUTER (CHUHATSU) ..	2	3	-----	-----	16	14751-422-004 0688978
	SPRING, VALVE OUTER (NIPPON HATSUJO)	2	3	-----	-----	16	14751-422-005 0743112
11	SPRING, VALVE INNER (CHUHATSU) ..	2	3	-----	-----	16	14761-422-004 0688994

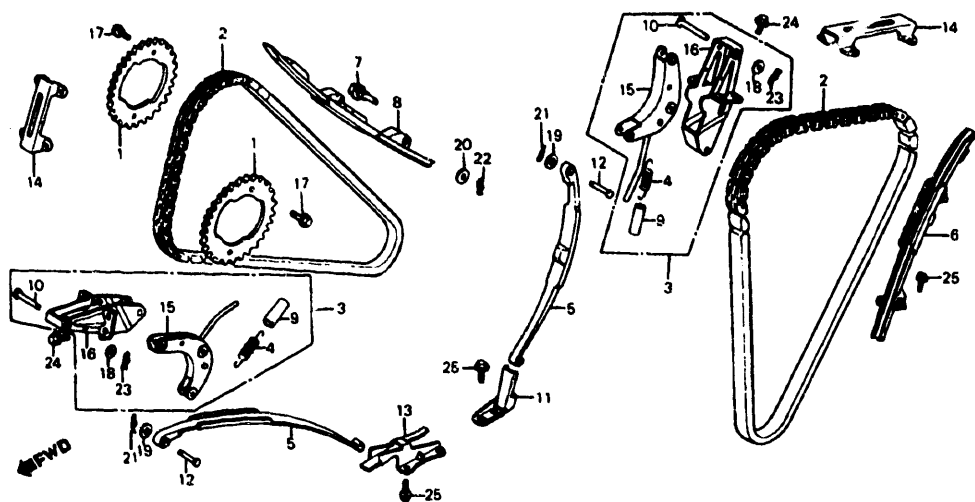
VF750S'82 ENGINE NO.; RC07E-2000066 TO 2015996
 VF750S'82 FRAME NO.; RC070-CM000036 TO CM012083
 VF750S'83 ENGINE NO.; RC07E-2100018 TO 2115544
 VF750S'83 FRAME NO.; RC070-DM100006 TO DM108632

Ref. No.	BLOCK NO. DESCRIPTION	VF750S		ENGINE SERIAL NUMBER	QTY REQ	PART NUMBER	HONDA CODE
		1 9 8 2	1 9 8 3				
11	SPRING, VALVE INNER (NIPPON HATSUJO)	2	3	-----	-----	16	14761-422-005 0743120
12	RETAINER, VALVE SPRING	2	3	-----	-----	16	14771-329-000 0280149
13	SEAT, VALVE SPRING OUTER	2	3	-----	-----	16	14775-422-000 0689018
14	SEAT, VALVE SPRING SEAT, VALVE SPRING INNER	2	--	-----	-----	16	14776-422-000 0689026
		--	3	-----	-----	16	14776-MB0-770 1289420
15	COTTER, VALVE (SANKO)	2	3	-----	-----	32	14781-107-003 0822478
16	SCREW, TAPPET ADJUSTING	2	3	-----	-----	16	90012-414-000 1117803
17	NUT, TAPPET ADJUSTING	2	3	-----	-----	16	90206-590-000 0347815
18	WASHER, WAVE, 12MM	2	3	-----	-----	8	90402-428-000 0684878
19	O-RING, 21.6X2	2	--	-----	-----	8	91310-MB0-003 1251560
	O-RING, 21.5X2	2	3	-----	-----	8	91310-KE8-003 1425602

CONTENTS

TITLE	PAGE	GRID
ALTERNATOR	26	C1
CAM CHAIN	14	B7
CAMSHAFT	10	B5
CARBURETOR (ASSY.LINK)	59	D5
CARBURETOR (COMP PARTS)	62	D7
CLUTCH B2	19	B9
CLUTCH B3	22	B11
COVER, RR.	28	C2
CRANKCASE COVER, R.	17	B8
CRANKSHAFT	38	C7
CROSS SHAFT	55	D3
CYLINDER BLOCK	34	C5
CYLINDER HEAD (FRONT)	3	B1
CYLINDER HEAD (REAR)	7	B3
CYLINDER HEAD COVER	2	B1
GASKET KIT A	64	D8
GASKET KIT B	65	D8
GEARSHIFT DRUM	50	D1
OIL FILTER	31	C3
OIL PAN	31	C3
OIL PUMP	31	C3
PISTON	38	C7
PULSER	24	B12
STARTER CLUTCH	24	B12
STARTER MOTOR	30	C3
TENSIONER	14	B7
THERMOSTAT	52	D2
TRANSMISSION	48	C12
VALVE	10	B5
WATER PIPE	52	D2
WATER PUMP	28	C2

CAM CHAIN • TENSIONER



2 = VF750S'82
3 = VF750S'83

VF750S

Ref. No.	BLOCK NO. DESCRIPTION	E-4	VF750S		QTY REQ	PART NUMBER	HONDA CODE
			1 9 8 2	1 9 8 3			
			ENGINE SERIAL NUMBER				
			FROM	TO			
1	SPROCKET, CAM		2	3	4	14321-MB0-000	1241405
2	CHAIN, CAM		2	3	2	14401-MB0-003	1241413
3	BRACKET ASSY., CAM CHAIN TENSIONER		2	3	2	14510-MB0-000	1241421
					2	14510-MB0-000	1241421
	BRACKET ASSY., CAM CHAIN		2	3	2	14510-MB0-010	1501774
					2	14510-MB0-010	1501774
	BRACKET ASSY., CAM CHAIN TENSIONER		2	3	2	14510-MB0-870	1708049
					2	14510-MB0-870	1708049
	BRACKET ASSY., CAM CHAIN TENSIONER		2	3	2	14510-MB0-871	1961861
					2	14510-MB0-871	1961861
	BRACKET ASSY., CAM CHAIN TENSIONER		2	3	2	14510-MB0-872	2246999
					2	14510-MB0-872	2246999
	BRACKET ASSY., CAM CHAIN TENSIONER		2	3	2	14510-MB0-873	2737831
					2	14510-MB0-873	2737831

E14MBOC04

Ref. No.	BLOCK NO. DESCRIPTION	E-4	VF750S		QTY REQ	PART NUMBER	HONDA CODE
			1 9 8 2	1 9 8 3			
			ENGINE SERIAL NUMBER				
			FROM	TO			
3	BRACKET ASSY., CAM CHAIN TENSIONER		2	3	2	14510-MB0-874	2585347
					2	14510-MB0-874	2585347
	BRACKET ASSY., CAM CHAIN TENSIONER		2	3	2	14510-MK3-000	2017184
					2	14510-MK3-000	2017184
	BRACKET ASSY., CAM CHAIN TENSIONER		2	3	2	14510-MN0-000	2524320
					2	14510-MN0-000	2524320
4	SPRING, TENSIONER		2	3	2	14514-MB0-000	1241447
5	TENSIONER, CAM CHAIN		2	3	2	14515-MB0-000	1241454
	TENSIONER, CAM CHAIN		2	3	2	14515-MB0-010	2247005
6	GUIDE COMP. A, CAM CHAIN		2	3	1	14520-MB0-000	1241488
7	BOLT, CAM CHAIN GUIDE A		2	3	1	14521-MB0-000	1241496
8	GUIDE A, CAM CHAIN		2	3	1	14522-MB0-003	1241504
9	TUBE, TENSIONER SPRING		2	3	2	14525-MB0-000	1241512
					2	14525-MB0-000	1241512
	TUBE, TENSIONER SPRING		2	3	2	14525-MB0-010	1707785
					2	14525-MB0-010	1707785
	TUBE, TENSIONER SPRING		2	3	2	14525-MB0-020	2524353
					2	14525-MB0-020	2524353
10	PIN, 8X43.2		2	3	2	14526-MB0-000	1241520
11	HOLDER ASSY. A, CAM CHAIN TENSIONER		2	3	1	14530-MB0-000	1241538
12	PIN A, ARM		2	3	2	14533-MB0-000	1241546
13	HOLDER ASSY. B, CAM CHAIN TENSIONER		2	3	1	14540-MB0-000	1241553
14	GUIDE B, CAM CHAIN		2	3	2	14541-MB0-000	1241561
15	ARM COMP., CAM CHAIN TENSIONER		2	3	2	14550-MB0-000	1241579
16	BRACKET COMP., CAM CHAIN TENSIONER HOLDER		2	3	2	14560-MB0-000	1241587
17	BOLT, UBS, 7X15		2	3	8	90026-MB0-000	1243450
					8	90026-MB0-000	1243450
	BOLT, UBS, 7X15		2	3	8	90026-ME9-000	1370915
					8	90026-ME9-000	1370915
	BOLT, UBS, 7X15		2	3	8	90026-MM8-000	2566990
					8	90026-MM8-000	2566990

15 AMERICAN HONDA MOTOR CO. LTD. 1993 15

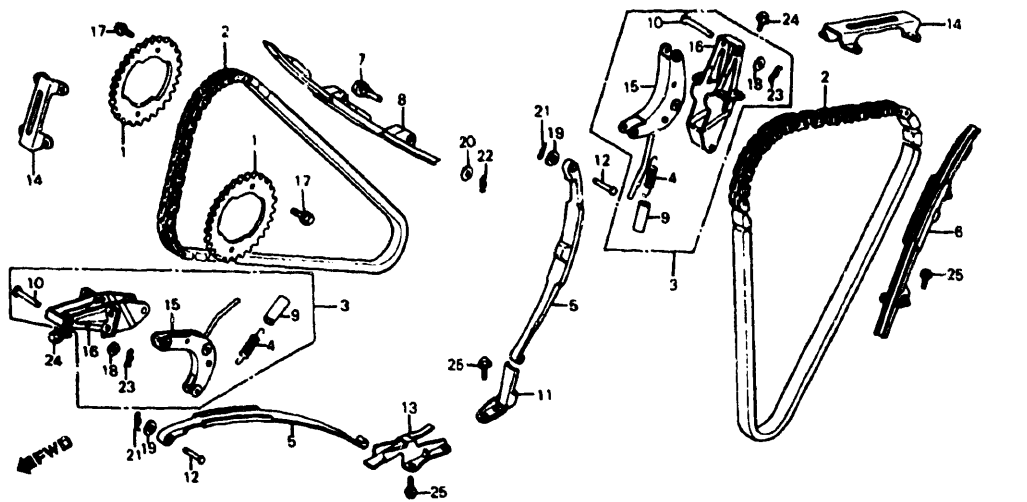
CONTENTS

TITLE	PAGE	GRID
ALTERNATOR	26	C1
CAM CHAIN	14	B7
CAMSHAFT	10	B5
CARBURETOR (ASSY.LINK)	59	D5
CARBURETOR (COMP. PARTS)	62	D7
CLUTCH B2	19	B9
CLUTCH B3	22	B11
COVER, RR	28	C2
CRANKCASE COVER, R	17	B8
CRANKSHAFT	38	C7
CROSS SHAFT	55	D3
CYLINDER BLOCK	34	C5
CYLINDER HEAD (FRONT)	3	B1
CYLINDER HEAD (REAR)	7	B3
CYLINDER HEAD COVER	2	B1
GASKET KIT A	64	D8
GASKET KIT B	65	D8
GEARSHIFT DRUM	50	D1
OIL FILTER	31	C3
OIL PAN	31	C3
OIL PUMP	31	C3
PISTON	38	C7
PULSER	24	B12
STARTER CLUTCH	24	B12
STARTER MOTOR	30	C3
TENSIONER	14	B7
THERMOSTAT	52	D2
TRANSMISSION	48	C12
VALVE	10	B5
WATER PIPE	52	D2
WATER PUMP	28	C2

GRID

B7

CAM CHAIN • TENSIONER



E14MB0C04

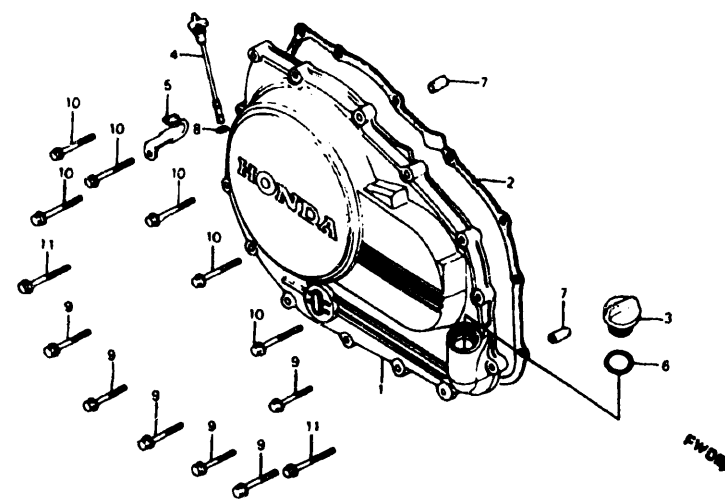
Ref. No.	BLOCK NO. DESCRIPTION	VF750S		ENGINE SERIAL NUMBER		QTY REQ	PART NUMBER	HONDA CODE
		1 9 8 2	1 9 8 3	FROM	TO			
	2 = VF750S'82 3 = VF750S'83							
18	WASHER, 8MM	2	3	-----	-----	2	90405-463-000	0886168
19	WASHER, 6MM	2	3	-----	-----	2	90485-286-000	0155077
20	WASHER, 7MM	2	3	-----	-----	1	90486-MB0-000	1243658
21	PIN, SPECIAL LOCK, 6MM	2	3	-----	-----	2	90704-MB0-000	1243740
22	PIN, LOCK, 6MM	2	3	-----	-----	1	94251-06000	0058487
23	PIN, LOCK, 8MM	2	3	-----	-----	2	94251-08000	0115527
24	BOLT, FLANGE, 6X16	2	3	-----	-----	8	95700-06016-00	0496653
	BOLT, FLANGE, 6X16	2	3	-----	-----	8	95701-06016-00	2410892
25	BOLT, FLANGE, 6X14	2	3	-----	-----	8	96000-06014-00	0782854
	BOLT, FLANGE, 6X14	2	3	-----	-----	8	96001-06014-00	2154672

16 © AMERICAN HONDA MOTOR CO. LTD. 1993

B8

VF750S'82 ENGINE NO.; RC07E-2000066 TO 2015996
 VF750S'82 FRAME NO.; RC070-CM000036 TO CM012083
 VF750S'83 ENGINE NO.; RC07E-2100018 TO 2115544
 VF750S'83 FRAME NO.; RC070-DM100006 TO DM108632

RIGHT CRANKCASE COVER



E14MB0C05

Ref. No.	BLOCK NO. DESCRIPTION	VF750S		ENGINE SERIAL NUMBER		QTY REQ	PART NUMBER	HONDA CODE
		1 9 8 2	1 9 8 3	FROM	TO			
	2 = VF750S'82 3 = VF750S'83							
1	COVER ASSY., R. CRANKCASE	2	---	-----	-----	1	11330-MB0-000	1240803
	COVER ASSY., R. CRANKCASE	2	---	-----	-----	1	11330-MB0-700	1416353
	COVER ASSY., R. CRANKCASE	---	3	-----	-----	1	11330-MB0-770	1288828
2	GASKET, R. COVER	2	3	-----	-----	1	11394-MB0-000	1240860
3	CAP, OIL FILTER	2	3	-----	-----	1	15611-MB0-000	1241728
4	GAUGE, OIL LEVEL	---	3	-----	-----	1	15650-MB0-770	1289453
5	CLAMP, PULSER CORD	2	3	-----	-----	1	30301-MB0-000	1243070
6	O-RING, 22X3.0	2	3	-----	-----	1	91301-250-000	0035287
	O-RING, 22X3.0	2	3	-----	-----	1	91307-425-003	1216126
7	PIN A, DOWEL, 8X14	2	3	-----	-----	2	94301-08140	0069310
8	O-RING, 8.4X2.4	---	3	-----	-----	1	94638-10000	0250563
9	BOLT, FLANGE, 6X28	2	---	-----	-----	6	96000-06028-00	0799072
	BOLT, FLANGE, 6X28	2	---	-----	-----	6	96001-06028-00	2106003
	BOLT, FLANGE, 6X28	---	3	-----	-----	6	96000-06028-07	0807339
	BOLT, FLANGE, 6X28	---	3	-----	-----	6	96001-06028-07	2106011
10	BOLT, FLANGE, 6X32	2	---	-----	-----	6	96000-06032-00	0807347

© AMERICAN HONDA MOTOR CO. LTD. 1993 17

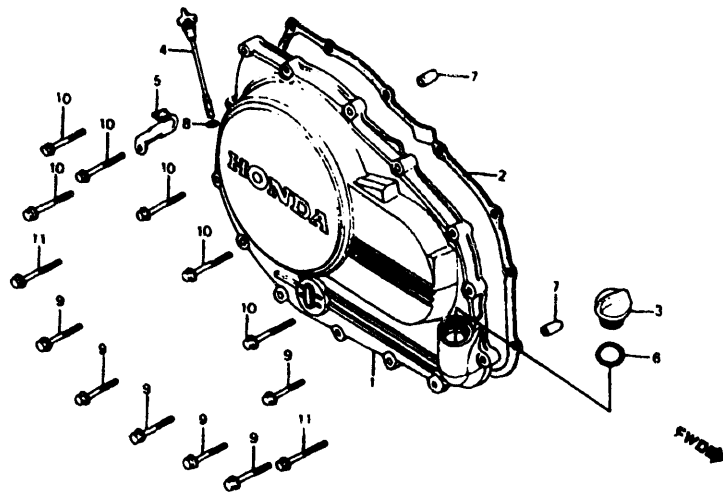
CONTENTS

TITLE	PAGE	GRID
ALTERNATOR	26	C1
CAM CHAIN	14	B7
CAMSHAFT	10	B5
CARBURETOR (ASSY.LINK)	59	D5
CARBURETOR (COMP PARTS)	62	D7
CLUTCH B2	19	B9
CLUTCH B3	22	B11
COVER, RR.	28	C2
CRANKCASE COVER, R.	17	B8
CRANKSHAFT	38	C7
CROSS SHAFT	55	D3
CYLINDER BLOCK	34	C5
CYLINDER HEAD (FRONT)	3	B1
CYLINDER HEAD (REAR)	7	B3
CYLINDER HEAD COVER	2	B1
GASKET KIT A	64	D8
GASKET KIT B	65	D8
GEARSHIFT DRUM	50	D1
OIL FILTER	31	C3
OIL PAN	31	C3
OIL PUMP	31	C3
PISTON	38	C7
PULSER	24	B12
STARTER CLUTCH	24	B12
STARTER MOTOR	30	C3
TENSIONER	14	B7
THERMOSTAT	52	D2
TRANSMISSION	48	C12
VALVE	10	B5
WATER PIPE	52	D2
WATER PUMP	28	C2

GRID

B8

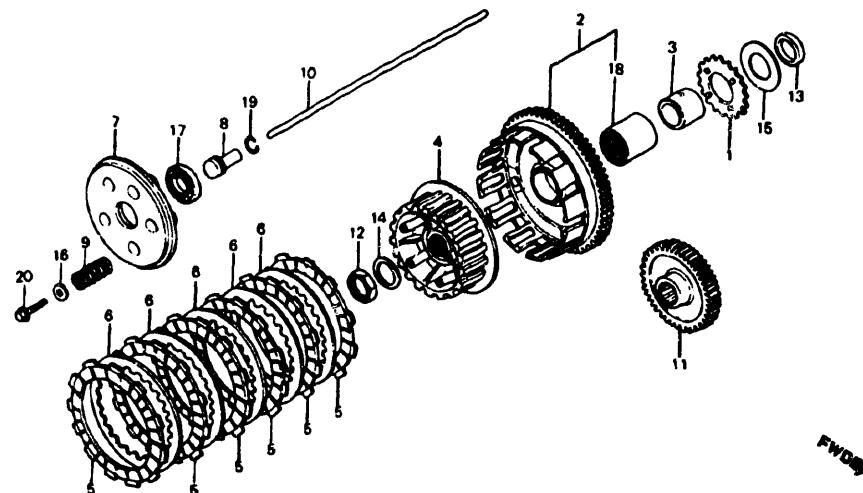
RIGHT CRANKCASE COVER



E14MB0C05

Ref. No.	BLOCK NO. DESCRIPTION	VF750S		ENGINE SERIAL NUMBER	QTY REQ	PART NUMBER	HONDA CODE
		1 9 8 2	1 9 8 3				
	2 = VF750S'82 3 = VF750S'83						
10	BOLT, FLANGE, 6X32	2	--	-----	6	96001-06032-00	2106029
	BOLT, FLANGE, 6X32	--	3	-----	6	96000-06032-07	1292242
	BOLT, FLANGE, 6X32	--	3	-----	6	96001-06032-07	2458750
11	BOLT, FLANGE, 6X35	2	--	-----	2	96000-06035-00	0799080
	BOLT, FLANGE, 6X35	2	--	-----	2	96001-06035-00	2112209
	BOLT, FLANGE, 6X35	--	3	-----	2	96000-06035-07	0807362
	BOLT, FLANGE, 6X35	--	3	-----	2	96001-06035-07	2533891

CLUTCH - 82



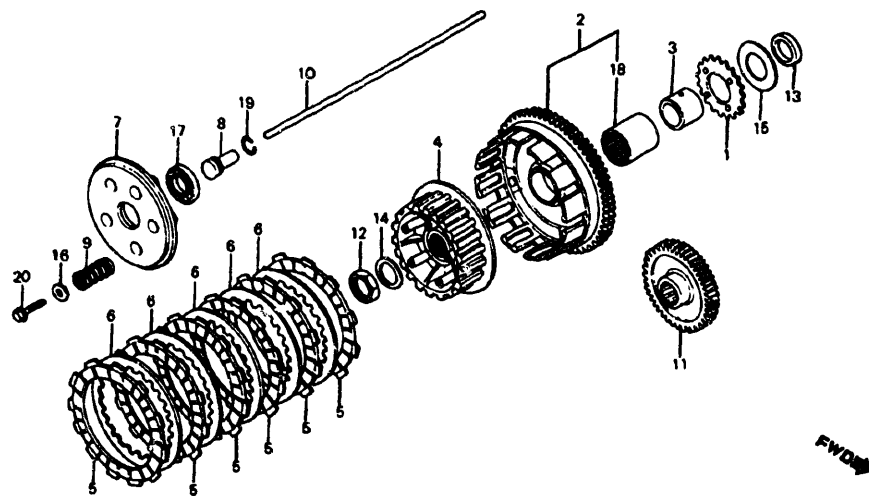
E14MB0C06

Ref. No.	BLOCK NO. DESCRIPTION	VF750S		ENGINE SERIAL NUMBER	QTY REQ	PART NUMBER	HONDA CODE
		1 9 8 2	1 9 8 3				
	2 = VF750S'82 3 = VF750S'83						
1	SPROCKET, OIL PUMP DRIVE (26T) ...	2	--	-----	1	15131-MB0-000	1241645
2	OUTER COMP., CLUTCH (66T)	2	--	-----	1	22100-MB0-003	1242528
	OUTER COMP., CLUTCH (66T)	2	--	-----	1	22100-MB0-770	1291004
	OUTER COMP., CLUTCH (66T)	2	--	-----	1	22100-MB0-771	2081354
	OUTER COMP., CLUTCH (66T)	2	--	-----	1	22100-MB0-772	2081362
	OUTER COMP., CLUTCH (66T)	2	--	-----	1	22100-MK3-730	3187853
	OUTER COMP., CLUTCH	2	--	-----	1	22100-MN2-000	2778900
3	GUIDE, CLUTCH OUTER	2	--	-----	1	22116-MB0-000	1242536
4	CENTER, CLUTCH	2	--	-----	1	22120-MB0-003	1242544
	CENTER, CLUTCH	2	--	-----	1	22120-MB1-770	1442144
	CENTER, CLUTCH	2	--	-----	1	22120-MN0-000	2525442
5	DISK, CLUTCH FRICTION	2	--	-----	6	22201-MB0-003	1242551
	DISK, CLUTCH FRICTION	2	--	-----	6	22201-MM5-000	3143401
6	PLATE, CLUTCH	2	--	-----	5	22321-MG8-000	2045615
	PLATE B, CLUTCH	2	--	-----	5	22321-283-000	0075705
7	PLATE, CLUTCH PRESSURE	2	--	-----	1	22350-MB0-003	1242569

CONTENTS

TITLE	PAGE	GRID
ALTERNATOR	26	C1
CAM CHAIN	14	B7
CAMSHAFT	10	B5
CARBURETOR (ASSY.LINK)	59	D5
CARBURETOR (COMP. PARTS)	62	D7
CLUTCH 82	19	B9
CLUTCH 83	22	B11
COVER, RR.	28	C2
CRANKCASE COVER, R.	17	B8
CRANKSHAFT	38	C7
CROSS SHAFT	55	D3
CYLINDER BLOCK	34	C5
CYLINDER HEAD (FRONT)	3	B1
CYLINDER HEAD (REAR)	7	B3
CYLINDER HEAD COVER	2	B1
GASKET KIT A	64	D8
GASKET KIT B	65	D8
GEARSHIFT DRUM	50	D1
OIL FILTER	31	C3
OIL PAN	31	C3
OIL PUMP	31	C3
PISTON	38	C7
PULSER	24	B12
STARTER CLUTCH	24	B12
STARTER MOTOR	30	C3
TENSIONER	14	B7
THERMOSTAT	52	D2
TRANSMISSION	48	C12
VALVE	10	B5
WATER PIPE	52	D2
WATER PUMP	28	C2

CLUTCH - 82



E14MB0C06

Ref. No.	BLOCK NO. DESCRIPTION	VF750S		ENGINE SERIAL NUMBER	QTY REQ	PART NUMBER	HONDA CODE
		1 9 8 2	1 9 8 3				
	2 = VF750S'82 3 = VF750S'83						
7	PLATE, CLUTCH PRESSURE	2	--	----	1	22350-MG7-000	4311528
	PLATE, CLUTCH PRESSURE	2	--	----	1	22350-MK3-770	2247658
8	PIECE, CLUTCH JOINT	2	--	----	1	22366-MB0-000	1242577
9	SPRING, CLUTCH	2	--	----	5	22401-MB0-000	1242585
10	ROD, CLUTCH LIFTER	2	--	----	1	22850-MB0-000	1242593
11	GEAR, PRIMARY DRIVE (38T)	2	--	----	1	23103-MB0-000	1242650
	GEAR, PRIMARY DRIVE (38T)	2	--	----	1	23103-MB0-770	1291251
	GEAR, PRIMARY DRIVE (38T)	2	--	----	1	23103-MB0-771	2778942
12	NUT, LOCK, 22MM	2	--	----	1	90051-422-000	0689828
	NUT, LOCK, 22MM	2	--	----	1	90201-MB0-770	1375450
13	COLLAR, 25.2X7	2	--	----	1	90203-MB0-000	1243542
14	WASHER, SPRING, 22MM	2	--	----	1	90432-MB0-000	1243583
	WASHER, SPRING, 22MM	2	--	----	1	90432-MB0-010	2408615
15	WASHER, THRUST, 25MM	2	--	----	1	90459-MB0-000	1243641
16	WASHER, 6X19	2	--	----	5	90481-259-000	0040220
17	BEARING, RADIAL BALL, 16003	2	--	----	1	91008-KK6-000	2043123

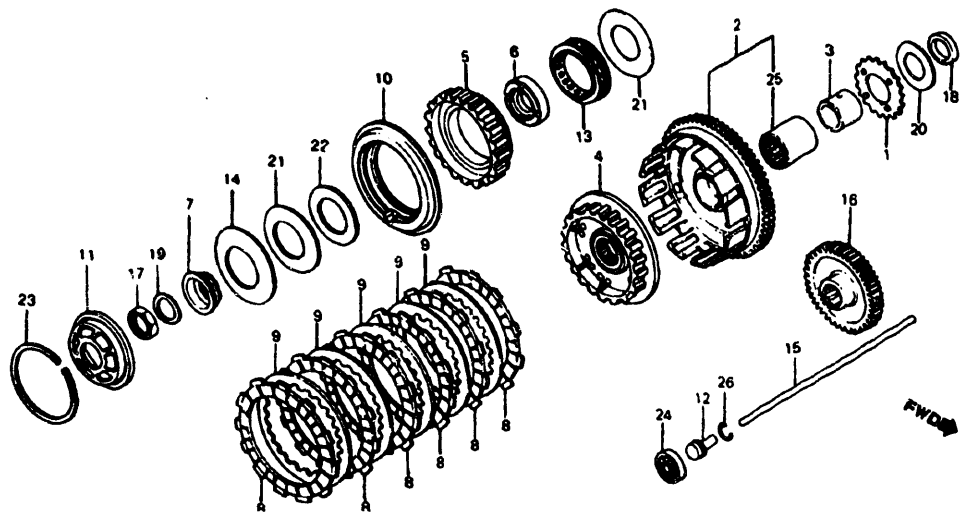
Ref. No.	BLOCK NO. DESCRIPTION	VF750S		ENGINE SERIAL NUMBER	QTY REQ	PART NUMBER	HONDA CODE
		1 9 8 2	1 9 8 3				
	2 = VF750S'82 3 = VF750S'83						
17	BEARING, RADIAL BALL, 16003	2	--	----	1	91008-362-000	0334854
	BEARING, RADIAL BALL, 16003	2	--	----	1	91010-HC0-003	2519544
18	BEARING, NEEDLE, 35X42X30 (TOYO)	2	--	----	1	91024-MB0-003	1243807
	BEARING, NEEDLE, 35X42X30 (NIPPON)	2	--	----	1	91024-MB0-004	1243815
19	CLIP, PISTON PIN, 15MM	2	--	----	1	94601-15000	0156018
20	BOLT, FLANGE, 6X20	2	--	----	5	95701-06020-08	2374759
	BOLT, FLANGE, 6X20	2	--	----	5	95718-06020-08	1243997

CONTENTS

TITLE	PAGE	GRID
ALTERNATOR	26	C1
CAM CHAIN	14	B7
CAMSHAFT	10	B5
CARBURETOR (ASSY.LINK)	59	D5
CARBURETOR (COMP. PARTS)	62	D7
CLUTCH 82	19	B9
CLUTCH 83	22	B11
COVER, RR	28	C2
CRANKCASE COVER, R	17	B8
CRANKSHAFT	38	C7
CROSS SHAFT	55	D3
CYLINDER BLOCK	34	C5
CYLINDER HEAD (FRONT)	3	B1
CYLINDER HEAD (REAR)	7	B3
CYLINDER HEAD COVER	2	B1
GASKET KIT A	64	D8
GASKET KIT B	65	D8
GEARSHIFT DRUM	50	D1
OIL FILTER	31	C3
OIL PAN	31	C3
OIL PUMP	31	C3
PISTON	38	C7
PULSER	24	B12
STARTER CLUTCH	24	B12
STARTER MOTOR	30	C3
TENSIONER	14	B7
THERMOSTAT	52	D2
TRANSMISSION	48	C12
VALVE	10	B5
WATER PIPE	52	D2
WATER PUMP	28	C2

VF750S'82 ENGINE NO.; RC07E-2000066 TO 2015996
 VF750S'82 FRAME NO.; RC070-CM000036 TO CM012083
 VF750S'83 ENGINE NO.; RC07E-2100018 TO 2115544
 VF750S'83 FRAME NO.; RC070-DM100006 TO DM108632

CLUTCH - 83



E14MBOC0601

Ref. No.	BLOCK NO. E-6-1 DESCRIPTION	VF750S		QTY REQ	PART NUMBER	HONDA CODE
		1 9 8 2	1 9 8 3			
		ENGINE SERIAL NUMBER				
		FROM	TO			
1	SPROCKET, OIL PUMP DRIVE (26T) ...	--	3	1	15131-MB0-000	1241645
2	OUTER COMP., CLUTCH (66T)	--	3	1	22100-MB0-770	1291004
	OUTER COMP., CLUTCH (66T)	--	3	1	22100-MB0-771	2081354
	OUTER COMP., CLUTCH (66T)	--	3	1	22100-MB0-772	2081362
	OUTER COMP., CLUTCH (66T)	--	3	1	22100-MK3-730	3187853
	OUTER COMP., CLUTCH	--	3	1	22100-MN2-000	2778900
3	GUIDE, CLUTCH OUTER	--	3	1	22116-MB0-000	1242536
4	CENTER A, CLUTCH	--	3	1	22120-MB0-770	1291012
5	CENTER B, CLUTCH	--	3	1	22131-MB0-770	1291020
6	INNER, ONE WAY CLUTCH	--	3	1	22141-MB0-770	1291046
7	PLATE, SPRING SETTING	--	3	1	22151-MB0-770	1291053
8	DISK, CLUTCH FRICTION	--	3	6	22201-MB0-003	1242551
	DISK, CLUTCH FRICTION	--	3	6	22201-MM5-000	3143401
9	PLATE, CLUTCH	--	3	5	22321-MG8-000	2045615
	PLATE B, CLUTCH	--	3	5	22321-283-000	0075705
10	PLATE, CLUTCH PRESSURE	--	3	1	22351-MB0-770	1291087

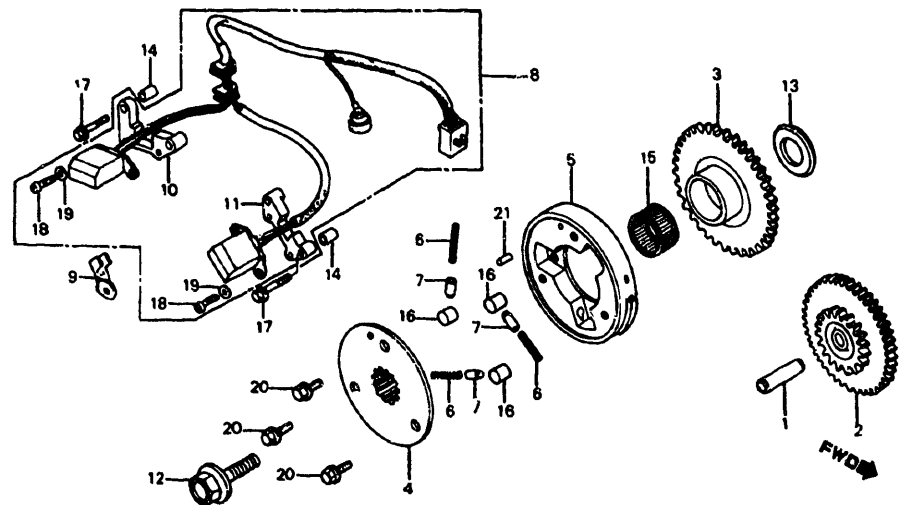
VF750S'82 ENGINE NO.; RC07E-2000066 TO 2015996
 VF750S'82 FRAME NO.; RC070-CM000036 TO CM012083
 VF750S'83 ENGINE NO.; RC07E-2100018 TO 2115544
 VF750S'83 FRAME NO.; RC070-DM100006 TO DM108632

Ref. No.	BLOCK NO. E-6-1 DESCRIPTION	VF750S		QTY REQ	PART NUMBER	HONDA CODE
		1 9 8 2	1 9 8 3			
		ENGINE SERIAL NUMBER				
		FROM	TO			
10	PLATE, CLUTCH PRESSURE	--	3	1	22351-MB0-771	1536077
11	PLATE, CLUTCH LIFTER	--	3	1	22352-MB0-770	1291095
12	PIECE, CLUTCH JOINT	--	3	1	22366-MB0-000	1242577
13	CLUTCH, ONE WAY	--	3	1	22425-MB0-772	1316603
14	SPRING, CLUTCH	--	3	1	22441-MB0-771	1291129
15	ROD, CLUTCH LIFTER	--	3	1	22850-MB0-770	1291145
16	GEAR, PRIMARY DRIVE (38T)	--	3	1	23103-MB0-770	1291251
	GEAR, PRIMARY DRIVE (38T)	--	3	1	23103-MB0-771	2778942
17	NUT, LOCK, 22MM	--	3	1	90051-422-000	0689828
	NUT, LOCK, 22MM	--	3	1	90201-MB0-770	1375450
18	COLLAR, 25.2X7	--	3	1	90203-MB0-000	1243542
19	WASHER, SPRING, 22MM	--	3	1	90432-MB0-000	1243583
	WASHER, SPRING, 22MM	--	3	1	90432-MB0-010	2408615
20	WASHER, THRUST, 25MM	--	3	1	90459-MB0-000	1243641
21	WASHER, 44X85X1.6	--	3	2	90461-MB0-770	1292135
22	WASHER, 44X74X3.2	--	3	1	90462-MB0-770	1292143
23	CIRCLIP, INTERNAL, 95	--	3	1	90601-MB0-770	1297142
	CIRCLIP, INTERNAL, 95	--	3	1	90601-MB0-771	1536549
24	BEARING, RADIAL BALL, 16003	--	3	1	91008-KK6-000	2043123
	BEARING, RADIAL BALL, 16003	--	3	1	91008-362-000	0334854
	BEARING, RADIAL BALL, 16003	--	3	1	91010-HC0-003	2519544
25	BEARING, NEEDLE, 35X42X30 (TOYO)	--	3	1	91024-MB0-003	1243807
	BEARING, NEEDLE, 35X42X30 (NIPPON)	--	3	1	91024-MB0-004	1243815
26	CLIP, PISTON PIN, 15MM	--	3	1	94601-15000	0156018

CONTENTS

TITLE	PAGE	GRID
ALTERNATOR	26	C1
CAM CHAIN	14	B7
CAMSHAFT	10	B5
CARBURETOR (ASSY.LINK)	59	D5
CARBURETOR (COMP. PARTS)	62	D7
CLUTCH 82	19	B9
CLUTCH 83	22	B11
COVER, RR.	28	C2
CRANKCASE COVER, R.	17	B8
CRANKSHAFT	38	C7
CROSS SHAFT	55	D3
CYLINDER BLOCK	34	C5
CYLINDER HEAD (FRONT) ..	3	B1
CYLINDER HEAD (REAR) ..	7	B3
CYLINDER HEAD COVER	2	B1
GASKET KIT A	64	D8
GASKET KIT B	65	D8
GEARSHIFT DRUM	50	D1
OIL FILTER	31	C3
OIL PAN	31	C3
OIL PUMP	31	C3
PISTON	38	C7
PULSER	24	B12
STARTER CLUTCH	24	B12
STARTER MOTOR	30	C3
TENSIONER	14	B7
THERMOSTAT	52	D2
TRANSMISSION	48	C12
VALVE	10	B5
WATER PIPE	52	D2
WATER PUMP	28	C2

PULSER • STARTER CLUTCH



E14MBOC07

Ref. No.	BLOCK NO. DESCRIPTION	VF750S		ENGINE SERIAL NUMBER	QTY REQ	PART NUMBER	HONDA CODE
		1 9 8 2	1 9 8 3				
	2 = VF750S'82 3 = VF750S'83						
1	PIN, PISTON, 10X33	2	3	-----	1	13111-GK8-000	1709104
	PIN, PISTON	2	3	-----	1	13111-GS7-000	2754323
	PIN, PISTON, 10X33	2	3	-----	1	13111-122-000	0360024
2	GEAR, STARTER REDUCTION (21T/82T)	2	3	-----	1	28101-MB0-000	1243013
3	GEAR COMP., STARTER CLUTCH	2	3	-----	1	28110-MB0-000	1243021
	GEAR COMP., STARTING CLUTCH (48T)	2	3	-----	1	28110-MB0-010	2019503
4	FLANGE, STARTER CLUTCH	2	3	-----	1	28115-MB0-000	1243039
5	OUTER COMP., STARTER CLUTCH	2	---	-----	1	28120-MB0-000	1243047
	OUTER COMP., STARTER CLUTCH	2	3	-----	1	28120-MB0-770	1291301
6	SPRING, STARTING CLUTCH ROLLER	2	3	-----	3	28125-516-030	0192708
7	CAP, STARTING CLUTCH ROLLER	2	3	-----	3	28126-415-000	1243054
	SPRING	2	3	-----	3	28126-415-000	1243054
8	ALTERNATOR ASSY., PULSE (TOYO)	2	3	-----	1	30300-MB0-154	1243062
	ALTERNATOR ASSY., PULSE	2	3	-----	1	30300-MB0-164	1853746
	ALTERNATOR ASSY., PULSE (TOYO)	2	3	-----	1	30300-MB0-174	1974831
	ALTERNATOR ASSY., PULSE	2	3	-----	1	30300-MJ4-405	3823937

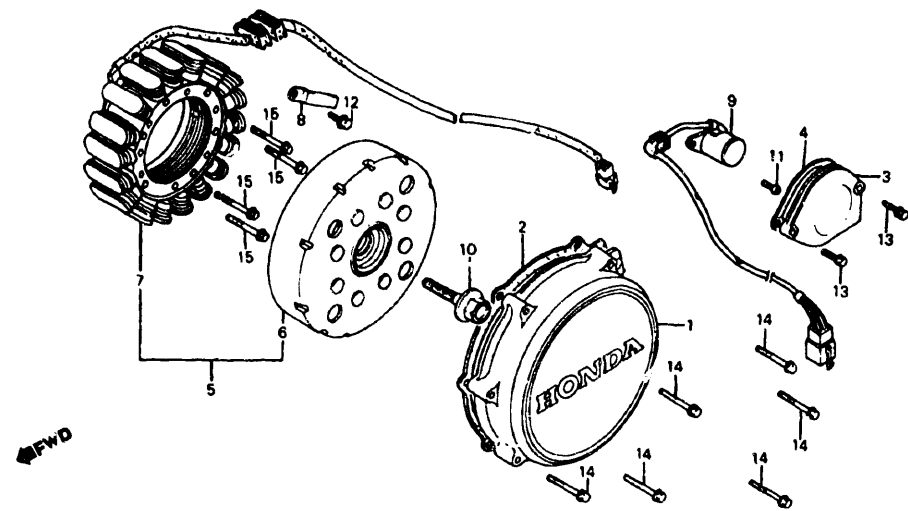
VF750S'82 ENGINE NO.; RC07E-2000066 TO 2015996
 VF750S'82 FRAME NO.; RC070-CM000036 TO CM012083
 VF750S'83 ENGINE NO.; RC07E-2100018 TO 2115544
 VF750S'83 FRAME NO.; RC070-DM100006 TO DM108632

Ref. No.	BLOCK NO. DESCRIPTION	VF750S		ENGINE SERIAL NUMBER	QTY REQ	PART NUMBER	HONDA CODE
		1 9 8 2	1 9 8 3				
	2 = VF750S'82 3 = VF750S'83						
9	CLIP, PULSER WIRE	---	3	2115141	1	30301-MB4-010	1708312
10	STAY A, PULSE ALTERNATOR (TOYO)	2	3	-----	1	30310-MB0-154	1243088
11	STAY B, PULSE ALTERNATOR (TOYO)	2	3	-----	1	30320-MB0-154	1243096
12	BOLT, FLANGE, 12X45	2	3	-----	1	90023-HA7-670	2104685
	BOLT, FLANGE, 12X40	2	3	-----	1	90023-428-000	0684803
13	WASHER, THRUST	2	3	-----	1	90510-107-720	1243682
14	PIN, DOWEL, 8X8	2	3	-----	4	90702-MB0-000	1243724
15	BEARING, NEEDLE, 30X35X17	2	3	-----	1	91022-MB0-003	1243781
	BEARING, NEEDLE, 30X35X17	2	3	-----	1	91022-MB0-004	1243799
16	ROLLER, 15X13	2	3	-----	3	91101-516-000	0192732
17	BGLT-WASHER, 6X25	2	3	-----	4	93401-06025-00	2866879
	BOLT-WASHER, 6X25	2	3	-----	4	93491-06025-00	0843441
18	SCREW, PAN, 4X10	2	3	-----	4	93500-04010-0H	0262964
19	WASHER, SPRING, 4MM	2	3	-----	4	94111-04800	0346114
20	BOLT, FLANGE, 8X14	2	3	-----	3	95700-08014-08	0417949
	BOLT, FLANGE, 8X14	2	3	-----	3	95701-08014-08	2411015
21	ROLLER, 6X15	2	3	-----	1	96220-60150	1244011

CONTENTS

TITLE	PAGE	GRID
ALTERNATOR	26	C1
CAM CHAIN	14	B7
CAMSHAFT	10	B5
CARBURETOR (ASSY.LINK)	59	D5
CARBURETOR (COMP. PARTS)	62	D7
CLUTCH 82	19	B9
CLUTCH 83	22	B11
COVER, RR	28	C2
CRANKCASE COVER, R	17	B8
CRANKSHAFT	38	C7
CROSS SHAFT	55	D3
CYLINDER BLOCK	34	C5
CYLINDER HEAD (FRONT)	3	B1
CYLINDER HEAD (REAR)	7	B3
CYLINDER HEAD COVER	2	B1
GASKET KIT A	64	D8
GASKET KIT B	65	D8
GEARSHIFT DRUM	50	D1
OIL FILTER	31	C3
OIL PAN	31	C3
OIL PUMP	31	C3
PISTON	38	C7
PULSER	24	B12
STARTER CLUTCH	24	B12
STARTER MOTOR	30	C3
TENSIONER	14	B7
THERMOSTAT	52	D2
TRANSMISSION	48	C12
VALVE	10	B5
WATER PIPE	52	D2
WATER PUMP	28	C2

ALTERNATOR



E14MBOC08

Ref. No.	BLOCK NO. DESCRIPTION	VF750S		ENGINE SERIAL NUMBER		QTY REQ	PART NUMBER	HONDA CODE
		1 9 8 2	1 9 8 3	FROM	TO			
	2 = VF750S'82 3 = VF750S'83							
1	COVER, ALTERNATOR	2	3	-----	-----	1	11631-MB0-000	1240878
	COVER, ALTERNATOR	2	3	-----	-----	1	11631-MB0-505	3419470
2	GASKET, ALTERNATOR COVER	2	3	-----	-----	1	11636-MB0-000	1240886
3	COVER, INDICATOR SWITCH	2	3	-----	-----	1	11641-MB0-000	1240894
	COVER, INDICATOR SWITCH	--	3	-----	-----	1	11641-MB0-770	1316520
4	GASKET, INDICATOR SWITCH COVER	2	3	-----	-----	1	11642-MB0-000	1240902
5	ALTERNATOR ASSY. (HITACHI)	2	--	-----	2015688	1	31100-MB0-005	1243104
	ALTERNATOR ASSY. (HITACHI)	2	--	2015689	-----	1	31100-MB0-015	1790013
		--	3	-----	-----	1	31100-MB0-015	1790013
6	ROTOR COMP.	2	3	-----	-----	1	31110-MB0-005	1260306
7	STATOR COMP. (HITACHI)	2	--	-----	2015688	1	31120-MB0-C05	1262963
	STATOR COMP. (HITACHI)	2	3	-----	-----	1	31120-MB0-015	1781699
	STATOR COMP. (HITACHI)	2	3	-----	-----	1	31120-MB0-025	1837525
	STATOR COMP.	2	3	-----	-----	1	31120-MB0-405	4059465
	STATOR COMP.	2	3	-----	-----	1	31120-MB0-415	4186912
8	CLAMP, ALTERNATOR WIRE	2	3	-----	-----	1	31130-MB0-000	1243138

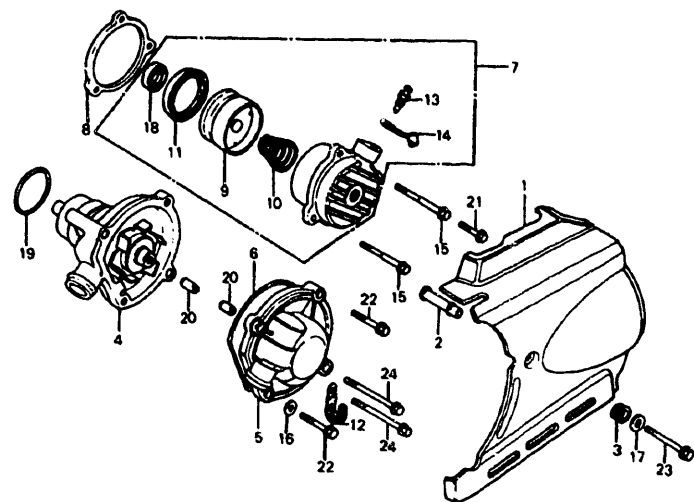
Ref. No.	BLOCK NO. DESCRIPTION	VF750S		ENGINE SERIAL NUMBER		QTY REQ	PART NUMBER	HONDA CODE
		1 9 8 2	1 9 8 3	FROM	TO			
	2 = VF750S'82 3 = VF750S'83							
9	SWITCH ASSY., CHANGE	2	--	-----	-----	1	35759-MB0-000	1243302
	SWITCH ASSY., CHANGE	--	3	-----	-----	1	35759-MB0-700	1312719
10	BOLT, FLANGE, 12X45	2	3	-----	-----	1	90023-HA7-670	2104685
	BOLT, FLANGE, 12X40	2	3	-----	-----	1	90023-428-000	0684803
11	SCREW, PAN, 6X12	2	3	-----	-----	2	93500-06012-0A	0182360
12	BOLT, FLANGE, 6X12	2	3	-----	-----	1	96000-06012-00	0823666
	BOLT, FLANGE, 6X12	2	3	-----	-----	1	96001-06012-00	2105930
13	BOLT, FLANGE, 6X20	2	--	-----	-----	2	96000-06020-00	0913806
	BOLT, FLANGE, 6X20	2	--	-----	-----	2	96001-06020-00	2529154
	BOLT, FLANGE, 6X20	--	3	-----	-----	2	96000-06020-07	1292226
	BOLT, FLANGE, 6X20	--	3	-----	-----	2	96001-06020-07	2479624
14	BOLT, FLANGE, 6X35	2	3	-----	-----	6	96000-06035-00	0799080
	BOLT, FLANGE, 6X35	2	3	-----	-----	6	96001-06035-00	2112209
15	BOLT, FLANGE, 6X40	2	3	-----	-----	4	96000-06040-00	0782870
	BOLT, FLANGE, 6X40	2	3	-----	-----	4	96001-06040-00	2106037

CONTENTS

TITLE	PAGE	GRID
ALTERNATOR	26	C1
CAM CHAIN	14	B7
CAMSHAFT	10	B5
CARBURETOR (ASSY.LINK)	59	D5
CARBURETOR (COMP. PARTS)	62	D7
CLUTCH B2	19	B9
CLUTCH B3	22	B11
COVER, RR.	28	C2
CRANKCASE COVER, R.	17	B8
CRANKSHAFT	38	C7
CROSS SHAFT	55	D3
CYLINDER BLOCK	34	C5
CYLINDER HEAD (FRONT)	3	B1
CYLINDER HEAD (REAR)	7	B3
CYLINDER HEAD COVER	2	B1
GASKET KIT A	64	D8
GASKET KIT B	65	D8
GEARSHIFT DRUM	50	D1
OIL FILTER	31	C3
OIL PAN	31	C3
OIL PUMP	31	C3
PISTON	38	C7
PULSER	24	B12
STARTER CLUTCH	24	B12
STARTER MOTOR	30	C3
TENSIONER	14	B7
THERMOSTAT	52	D2
TRANSMISSION	48	C12
VALVE	10	B5
WATER PIPE	52	D2
WATER PUMP	28	C2

VF750S'82 ENGINE NO.; RC07E-2000066 TO 2015996
 VF750S'82 FRAME NO.; RC070-CM000036 TO CM012083
 VF750S'83 ENGINE NO.; RC07E-2100018 TO 2115544
 VF750S'83 FRAME NO.; RC070-DM100006 TO DM108632

REAR COVER • WATER PUMP



E14MB0C09

Ref. No.	BLOCK NO. DESCRIPTION	VF750S		ENGINE SERIAL NUMBER	QTY REQ	PART NUMBER	HONDA CODE
		1 9 8 2	1 9 8 3				
2	COVER, RR.	---	---	---	1	11341-MB0-000	1240811
	COVER, RR.	2	3	---	1	11341-MB0-770	1288836
2	COLLAR, RR. COVER	2	3	---	1	11343-MB0-000	1240837
3	GROMMET A, RR. COVER	2	3	---	1	11344-MB0-000	1240845
4	PUMP COMP., WATER	2	---	---	1	19200-MB0-000	1242122
	PUMP COMP., WATER	2	3	---	1	19200-MB0-770	1290659
	PUMP COMP., WATER	2	3	---	1	19200-MB0-771	3835972
5	COVER COMP., WATER PUMP	2	---	---	1	19220-MB0-000	1242130
	COVER COMP., WATER PUMP	---	3	---	1	19220-MB0-770	1316587
6	GASKET, WATER PUMP COVER	2	3	---	1	19226-MB0-000	1242148
7	CYLINDER ASSY.,	2	---	---	1	22860-MB0-003	1260298
	CYLINDER ASSY., CLUTCH SLAVE	---	3	---	1	22860-MB0-770	1291160
8	INSULATOR, CLUTCH SLAVE CYLINDER	2	---	---	1	22862-MB0-000	1242619
	INSULATOR, CLUTCH SLAVE CYLINDER	---	3	---	1	22862-MB0-770	1291202
9	PISTON, SLAVE CYLINDER	2	3	---	1	22863-MB0-003	1242627
10	SPRING, SLAVE CYLINDER	2	3	---	1	22864-MB0-003	1242635

Ref. No.	BLOCK NO. DESCRIPTION	VF750S		ENGINE SERIAL NUMBER	QTY REQ	PART NUMBER	HONDA CODE
		1 9 8 2	1 9 8 3				
11	CUP, PISTON	2	3	---	1	22865-MB0-003	1242643
12	CLAMP, STARTER CABLE	2	3	---	1	31211-MB0-000	1260322
13	SCREW, BLEEDER	2	3	---	1	43352-568-003	0505735
14	CAP, BLEEDER SCREW	2	3	---	1	43353-461-771	0954230
15	BOLT, FLANGE, 6X55	2	3	---	2	90051-MB0-000	1243492
16	WASHER, 11MM	2	3	---	1	90425-300-000	0189795
17	WASHER, RR. COVER GROMMET	2	3	---	1	90439-MB0-000	1243591
18	OIL SEAL, 8X18X5 (NISSIN)	2	3	---	1	91209-MB0-003	1243872
19	O-RING, 32.95X2.62	2	---	---	1	91302-MB0-003	1260819
	O-RING, 32.95X2.62 (ARAI)	---	3	2118831	1	91302-MB0-003	1260619
		2	3	---	1	91302-MB0-013	1435114
		---	3	2118831	1	91302-MB0-013	1435114
20	PIN A, DOWEL, 8X14	2	3	---	2	94301-08140	0069310
21	BOLT, FLANGE, 6X22	2	3	---	1	96000-06022-00	0811034
	BOLT, FLANGE, 6X22	2	3	---	1	96001-06022-00	2112191
22	BOLT, FLANGE, 6X28	2	---	---	2	96000-06028-00	0799072
	BOLT, FLANGE, 6X28	2	---	---	2	96001-06028-00	2106003
	BOLT, FLANGE, 6X28	---	3	---	2	96000-06028-07	0807339
	BOLT, FLANGE, 6X28	---	3	---	2	96001-06028-07	2106011
23	BOLT, FLANGE, 6X60	2	3	---	1	96000-06060-07	1244003
	BOLT, FLANGE, 6X60	2	3	---	1	96001-06060-07	2831659
24	BOLT, FLANGE, 6X70	2	---	---	2	96000-06070-00	0807438
	BOLT, FLANGE, 6X70	2	---	---	2	96001-06070-00	2112233
	BOLT, FLANGE, 6X70	---	3	---	2	96000-06070-07	1292259
	BOLT, FLANGE, 6X70	---	3	---	2	96001-06070-07	2479673

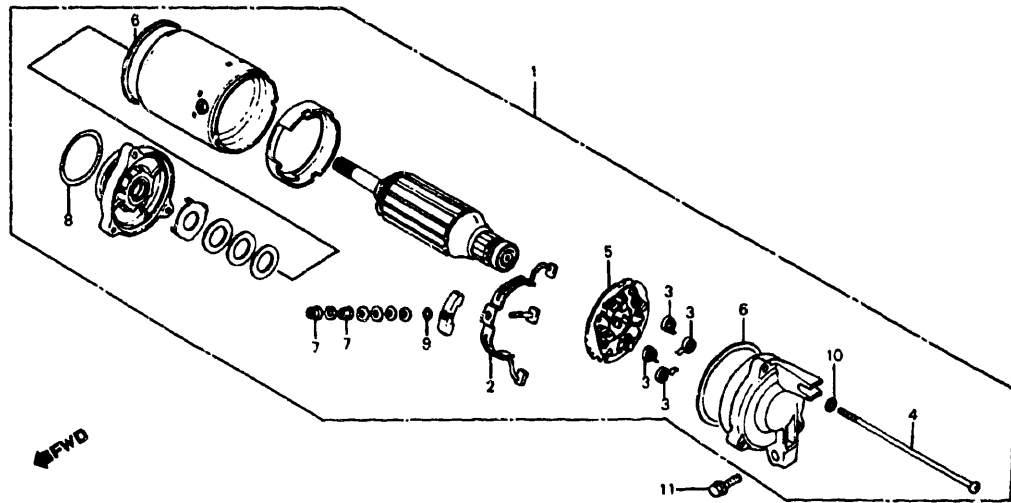
CONTENTS

TITLE	PAGE	GRID
ALTERNATOR	26	C1
CAM CHAIN	14	B7
CAMSHAFT	10	B5
CARBURETOR (ASSY.LINK)	59	D5
CARBURETOR (COMP. PARTS)	62	D7
CLUTCH B2	19	B9
CLUTCH B3	22	B11
COVER, RR.	28	C2
CRANKCASE COVER, R.	17	B8
CRANKSHAFT	38	C7
CROSS SHAFT	55	D3
CYLINDER BLOCK	34	C5
CYLINDER HEAD (FRONT)	3	B1
CYLINDER HEAD (REAR)	7	B3
CYLINDER HEAD COVER	2	B1
GASKET KIT A	64	D8
GASKET KIT B	65	D8
GEARSHIFT DRUM	50	D1
OIL FILTER	31	C3
OIL PAN	31	C3
OIL PUMP	31	C3
PISTON	38	C7
PULSER	24	B12
STARTER CLUTCH	24	B12
STARTER MOTOR	30	C3
TENSIONER	14	B7
THERMOSTAT	52	D2
TRANSMISSION	48	C12
VALVE	10	B5
WATER PIPE	52	D2
WATER PUMP	28	C2

GRID

C2

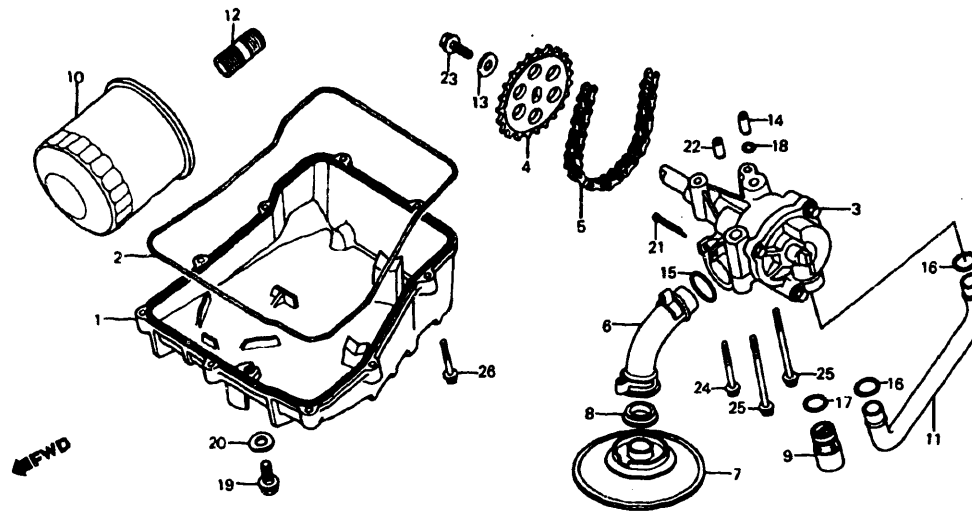
STARTER MOTOR



E14MBOC10

Ref. No.	BLOCK NO. DESCRIPTION	VF750S		ENGINE SERIAL NUMBER FROM TO	QTY REQ	PART NUMBER	HONDA CODE
		1 9 8 2	1 9 8 3				
	2 = VF750S'82 3 = VF750S'83						
1	MOTOR ASSY., STARTER	2	3	-----	1	31200-MB0-008	1243146
	MOTOR ASSY., STARTER	2	3	-----	1	31200-MB0-405	4237954
2	TERMINAL SET, BRUSH	2	3	-----	1	31201-KG7-000	1718576
	TERMINAL SET, BRUSH	2	3	-----	1	31201-MA6-000	1243153
3	SPRING, CARBON BRUSH	2	3	-----	4	31204-MA6-000	1243161
4	SCREW, PAN, 5X115	2	3	-----	3	51205-MB0-000	1260314
5	HOLDER SET, BRUSH	2	3	-----	1	31206-KG7-000	1718592
	HOLDER SET, BRUSH	2	3	-----	1	31206-MA6-000	1243179
6	RING, SEAL	2	3	-----	2	31207-179-711	1063858
7	NUT-WASHER, 6MM	2	3	-----	2	90071-MB0-000	1243534
8	O-RING	2	3	-----	1	91309-MA6-000	1243922
9	O-RING	2	3	-----	1	91320-MB0-000	1292184
10	WASHER, SPRING, 5MM	2	3	-----	3	94111-05000	0058966
11	BOLT, FLANGE, 6X25	2	3	-----	2	96000-06025-00	0782862
	BOLT, FLANGE, 6X25	2	3	-----	2	96001-G6025-00	2105989

OIL FILTER • OIL PAN • OIL PUMP



E14MBOC11

Ref. No.	BLOCK NO. DESCRIPTION	VF750S		ENGINE SERIAL NUMBER FROM TO	QTY REQ	PART NUMBER	HONDA CODE
		1 9 8 2	1 9 8 3				
	2 = VF750S'82 3 = VF750S'83						
1	PAN, OIL	2	3	-----	1	11210-MB0-000	1240787
	PAN, OIL	2	3	-----	1	11210-MB0-010	2038789
	PAN, OIL	2	3	-----	1	11210-MK3-000	2016657
2	GASKET, OIL PAN	2	3	-----	1	11315-MB0-000	1240795
	GASKET, OIL PAN	2	3	-----	1	11315-MB0-010	1441724
3	PUMP ASSY., OIL	2	3	-----	1	15100-MB0-000	1241637
	PUMP ASSY., OIL	2	3	-----	1	15100-MB0-010	2017317
4	SPROCKET, OIL PUMP DRIVEN	2	3	-----	1	15134-MB0-000	1241652
	SPROCKET, OIL PUMP DRIVEN (25T) ..	2	3	-----	1	15134-MB0-010	1780964
5	CHAIN, OIL PUMP	2	3	-----	1	15136-MB0-003	1241660
6	PIPE, OIL STRAINER	2	3	-----	1	15151-MB0-000	1241678
7	STRAINER, OIL	2	3	-----	1	15153-MB0-000	1241686
8	GASKET, OIL STRAINER	2	3	-----	1	15154-425-000	0716191
9	VALVE ASSY., RELIEF	2	---	-----	1	15220-MB0-000	1241694
		---	3	-----	1	15220-MB0-000	1241694
				-----		2106984	

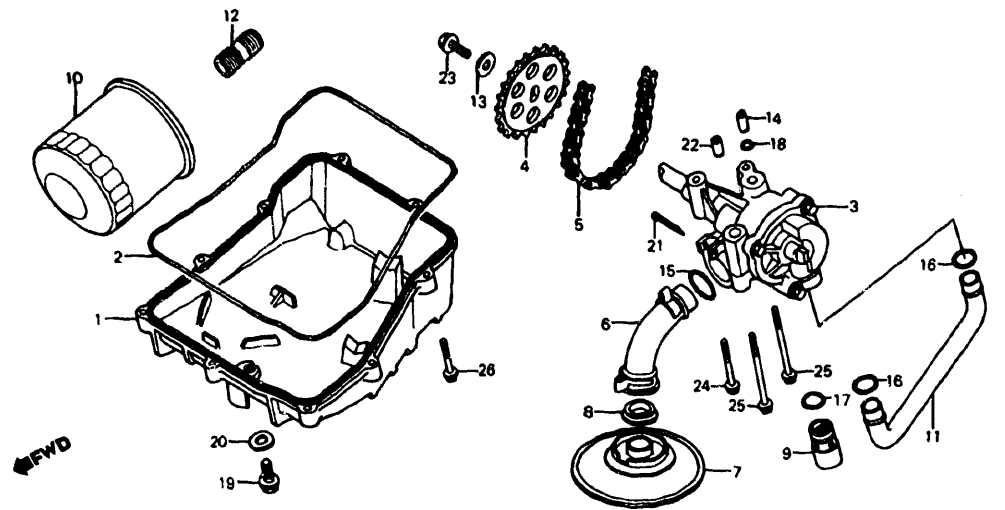
AMERICAN HONDA MOTOR CO. LTD. 1993 31

CONTENTS

TITLE	PAGE	GRID
ALTERNATOR	26	C1
CAM CHAIN	14	B7
CAMSHAFT	10	B5
CARBURETOR (ASSY.LINK)	59	D5
CARBURETOR (COMP. PARTS)	62	D7
CLUTCH B2	19	B9
CLUTCH B3	22	B11
COVER, RR.	28	C2
CRANKCASE COVER, R.	17	B8
CRANKSHAFT	38	C7
CROSS SHAFT	55	D3
CYLINDER BLOCK	34	C5
CYLINDER HEAD (FRONT)	3	B1
CYLINDER HEAD (REAR)	7	B3
CYLINDER HEAD COVER	2	B1
GASKET KIT A	64	D8
GASKET KIT B	65	D8
GEARSHIFT DRUM	50	D1
OIL FILTER	31	C3
OIL PAN	31	C3
OIL PUMP	31	C3
PISTON	38	C7
PULSER	24	B12
STARTER CLUTCH	24	B12
STARTER MOTOR	30	C3
TENSIONER	14	B7
THERMOSTAT	52	D2
TRANSMISSION	48	C12
VALVE	10	B5
WATER PIPE	52	D2
WATER PUMP	28	C2

VF750S'82 ENGINE NO.; RC07E-2000066 TO 2015996
 VF750S'82 FRAME NO.; RC070-CM000036 TO CM012083
 VF750S'83 ENGINE NO.; RC07E-2100018 TO 2115544
 VF750S'83 FRAME NO.; RC070-DM100006 TO DM108637

OIL FILTER • OIL PAN • OIL PUMP



E14MB0C11

Ref. No.	BLOCK NO. DESCRIPTION	VF750S		ENGINE SERIAL NUMBER	QTY REQ	PART NUMBER	HONDA CODE
		1 9 8 2	1 9 8 3				
	2 = VF750S'82 3 = VF750S'83						
9	VALVE ASSY., RELIEF	2	3	-----	1	15220-MB0-010	1416064
		---	3	-----	1	15220-MB0-010	1416064
10	FILTER, OIL	2	3	-----	1	15410-MB0-003	1241702
	CARTRIDGE, OIL FILTER	2	3	-----	1	15410-MB3-003	1811058
	FILTER, OIL	2	3	-----	1	15410-MJ0-003	1689611
	FILTER, OIL	2	3	-----	1	15410-MJ0-004	3481355
11	PIPE, OIL	2	3	-----	1	15511-MB0-000	1241710
12	BOSS, OIL FILTER	2	3	-----	1	90019-MB0-000	1243435
13	WASHER, SHIFT DRUM STOPPER	2	3	-----	1	90487-MB0-000	1243666
14	PIN, KNOCK, 8X14	2	3	-----	1	90701-MB0-000	1243716
15	O-RING, 14.6X3.7 (ARAI)	2	3	-----	1	91309-MB0-003	1260843
16	O-RING, 18.5X2.4 (ARAI)	2	3	-----	2	91311-MB0-003	1260850
17	O-RING, 14.7X2.2 (ARAI)	2	3	-----	1	91313-MB0-003	1260868
	O-RING, 14.8X2.2	2	3	-----	1	91313-MG7-004	3353620
18	O-RING, 7.7X2.3 (ARAI)	2	3	-----	1	91301-PC9-003	1352400
	O-RING, 7.8X2.2	2	3	-----	1	91308-283-000	0076497

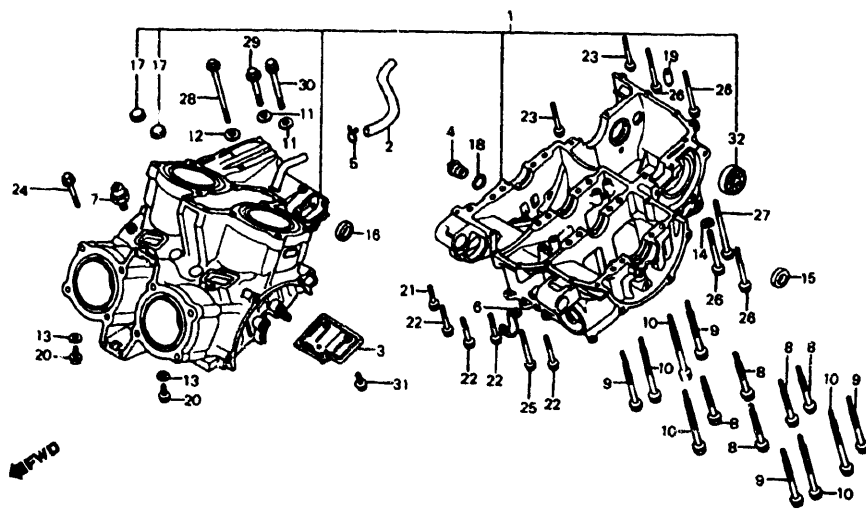
VF750S'82 ENGINE NO.; RC07E-2000066 TO 2015996
 VF750S'82 FRAME NO.; RC070-CM000036 TO CM012083
 VF750S'83 ENGINE NO.; RC07E-2100018 TO 2115544
 VF750S'83 FRAME NO.; RC070-DM100006 TO DM108632

Ref. No.	BLOCK NO. DESCRIPTION	VF750S		ENGINE SERIAL NUMBER	QTY REQ	PART NUMBER	HONDA CODE
		1 9 8 2	1 9 8 3				
	2 = VF750S'82 3 = VF750S'83						
18	O-RING, 7.8X2.2 (ARAI)	2	3	-----	1	91313-393-003	0446922
19	BOLT, DRAIN PLUG, 12MM	2	3	-----	1	92800-12000	0053975
20	WASHER, DRAIN PLUG, 12MM	2	3	-----	1	94109-12000	0171868
21	PIN, SPLIT, 2.0X25	2	3	-----	1	94201-20250	0058370
	PIN, COTTER, 2.0X32	2	3	-----	1	94201-20320	0145607
	PIN, SPLIT, 2.0X35	2	3	-----	1	94201-20350	0058388
22	PIN A, DOWEL, 8X14	2	3	-----	1	94301-08140	0069310
23	BOLT, FLANGE, 6X14	2	3	-----	1	95700-06014-08	0840587
	BOLT, FLANGE, 6X14	2	3	-----	1	95701-06014-08	2374742
24	BOLT, FLANGE, 6X45	2	3	-----	1	95700-06045-00	0687830
	BOLT, FLANGE, 6X45	2	3	-----	1	95701-06045-00	2529089
	BOLT, FLANGE, 6X45	2	3	-----	1	95701-06045-07	2410967
25	BOLT, FLANGE, 6X70	2	3	-----	2	95700-06070-00	0698720
	BOLT, FLANGE, 6X70	2	3	-----	2	95701-06070-00	2427284
26	BOLT, FLANGE, 6X28	2	3	-----	9	96000-06028-00	0799072
	BOLT, FLANGE, 6X28	2	3	-----	9	96001-06028-00	2106003

CONTENTS

TITLE	PAGE	GRID
ALTERNATOR	26	C1
CAM CHAIN	14	B7
CAMSHAFT	10	B5
CARBURETOR (ASSY.LINK)	59	D5
CARBURETOR (COMP. PARTS)	62	D7
CLUTCH 82	19	B9
CLUTCH 83	22	B11
COVER, RR.	28	C2
CRANKCASE COVER, R.	17	B8
CRANKSHAFT	38	C7
CROSS SHAFT	55	D3
CYLINDER BLOCK	34	C5
CYLINDER HEAD (FRONT)	3	B1
CYLINDER HEAD (REAR)	7	B3
CYLINDER HEAD COVER	2	B1
GASKET KIT A	64	D8
GASKET KIT B	65	D8
GEARSHIFT DRUM	50	D1
OIL FILTER	31	C3
OIL PAN	31	C3
OIL PUMP	31	C3
PISTON	38	C7
PULSER	24	B12
STARTER CLUTCH	24	B12
STARTER MOTOR	30	C3
TENSIONER	14	B7
THERMOSTAT	52	D2
TRANSMISSION	48	C12
VALVE	10	B5
WATER PIPE	52	D2
WATER PUMP	28	C2

CYLINDER BLOCK



E14MBOC12

Ref. No.	BLOCK NO. DESCRIPTION	VF750S		ENGINE SERIAL NUMBER	QTY REQ	PART NUMBER	HONDA CODE
		1 9 8 2	1 9 8 3				
2 = VF750S'82 3 = VF750S'83							
1	BLOCK SET, CYLINDER	2	--	----	1	11000-MB0-000	1240746
	BLOCK SET, CYLINDER	--	3	----	1	11000-MB0-770	1442151
2	TUBE A, BREATHER	2	3	----	1	11105-MB0-000	1240753
3	PLATE, OIL SEPARATE	2	3	----	1	11140-MB0-000	1240761
4	CAP, MAIN GALLERY	2	3	----	1	11207-MB0-000	1240779
5	CLIP, BREATHER TUBE	2	3	----	1	17554-MB0-000	1260264
6	CLIP, HIGH TENSION CORD	2	--	2001141	1	32906-061-000	0185082
		--	3	----	1	32906-061-000	0185082
7	SWITCH ASSY., OIL PRESSURE	2	3	----	1	35500-MB9-004	1087204
	SWITCH ASSY., OIL PRESSURE	2	3	----	1	35500-MJ0-004	1734599
	SWITCH ASSY., OIL PRESSURE	2	3	----	1	35500-MJ4-004	1851955
	SWITCH ASSY., OIL PRESSURE (ND)	2	3	----	1	35500-MJ4-014	1876721
	SWITCH ASSY., OIL PRESSURE (ND)	2	3	----	1	35500-MJ4-024	3544608
8	BOLT, UBS, 9X78	2	3	----	5	90014-MB0-000	1243393
9	BOLT, UBS, 9X98	2	3	----	4	90015-MB0-000	1243401
10	BOLT, UBS, 9X108	2	3	----	5	90016-MB0-000	1243419

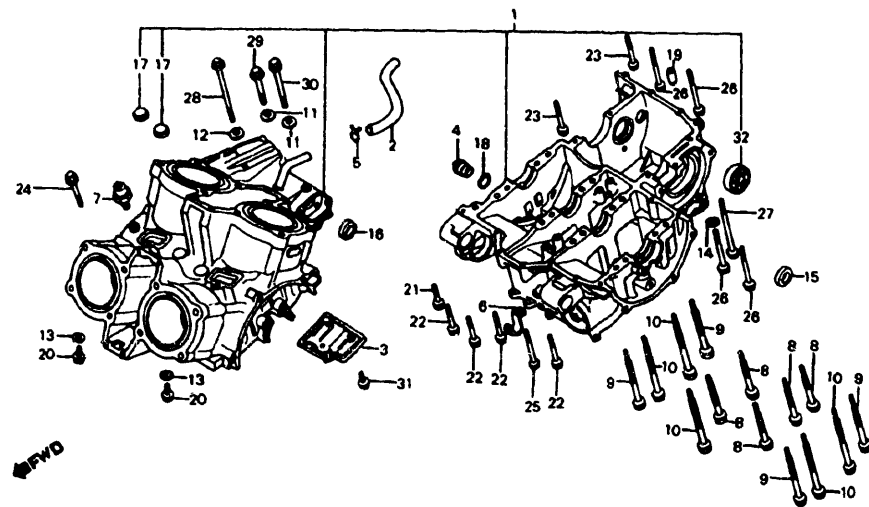
VF750S'82 ENGINE NO.; RC07E-2000066 TO 2015996
 VF750S'82 FRAME NO.; RC070-CM000036 TO CM012083
 VF750S'83 ENGINE NO.; RC07E-2100018 TO 2115544
 VF750S'83 FRAME NO.; RC070-DM100006 TO DM108632

Ref. No.	BLOCK NO. DESCRIPTION	VF750S		ENGINE SERIAL NUMBER	QTY REQ	PART NUMBER	HONDA CODE
		1 9 8 2	1 9 8 3				
2 = VF750S'82 3 = VF750S'83							
11	WASHER, SEALING, 8MM	2	3	----	2	90442-MB0-000	1243617
12	WASHER A, SEALING, 6MM	2	3	----	1	90443-035-000	0070987
13	WASHER, SEALING, 6.5X12	2	3	----	2	90461-357-000	0350215
14	WASHER, RR. BRAKE ARM	2	3	----	1	90525-001-000	0094839
15	OIL SEAL, 12.5X25X8 (ARAI)	2	3	----	1	91204-425-003	1067024
16	SEAL, OIL	2	3	----	1	91210-MB0-003	1260793
	SEAL, OIL, 14X24X6	2	3	----	1	91210-MB0-013	2248359
17	PLUG, SEAL, 32MM	2	--	----	2	91255-727-004	1260801
18	O-RING, 18X2.8	2	3	----	1	91314-MB0-003	1260876
19	PIN A, DOWEL, 8X14	2	3	----	1	94301-08140	0069310
20	BOLT, FLANGE, 6X12	2	3	----	2	95700-06012-00	0487025
	BOLT, FLANGE, 6X12	2	3	----	2	95701-06012-00	2105799
21	BOLT, FLANGE, 6X28	2	3	----	1	95700-06028-00	0483933
	BOLT, FLANGE, 6X28	2	3	----	1	95701-06028-00	2105849
22	BOLT, FLANGE, 6X32	2	3	----	4	95700-06032-00	0484477
	BOLT, FLANGE, 6X32	2	3	----	4	95701-06032-00	2105856
23	BOLT, FLANGE, 6X45	2	--	----	3	95700-06045-00	0687830
	BOLT, FLANGE, 6X45	--	3	----	2	95700-06045-00	0687830
	BOLT, FLANGE, 6X45	2	--	----	3	95701-06045-00	2529089
	BOLT, FLANGE, 6X45	--	3	----	2	95701-06045-00	2529089
	BOLT, FLANGE, 6X45	2	--	----	3	95701-06045-07	2410967
	BOLT, FLANGE, 6X45	--	3	----	2	95701-06045-07	2410967
24	BOLT, FLANGE, 6X45	--	3	----	1	95700-06045-07	0799023
25	BOLT, FLANGE, 6X50	2	3	----	1	95700-06050-00	0483974
	BOLT, FLANGE, 6X50	2	3	----	1	95701-06050-00	2410975
26	BOLT, FLANGE, 6X60	2	3	----	4	95700-06060-00	0687848
	BOLT, FLANGE, 6X60	2	3	----	4	95701-06060-00	2791119
27	BOLT, FLANGE, 6X90	2	3	----	1	95700-06090-00	0484014
	BOLT, FLANGE, 6X90	2	3	----	1	95701-06090-00	2533842
28	BOLT, FLANGE, 6X100	2	3	----	1	95700-06100-00	0484022
	BOLT, FLANGE, 6X100	2	3	----	1	95701-06100-00	2519742
29	BOLT, FLANGE, 8X50	2	3	----	1	95700-08050-00	0687871
	BOLT, FLANGE, 8X50	2	3	----	1	95701-08050-00	2935740

CONTENTS

TITLE	PAGE	GRID
ALTERNATOR	26	C1
CAM CHAIN	14	B7
CAMSHAFT	10	B5
CARBURETOR (ASSY.LINK)	59	D5
CARBURETOR (COMP. PARTS)	62	D7
CLUTCH 82	19	B9
CLUTCH 83	22	B11
COVER, RR.	28	C2
CRANKCASE COVER, R.	17	B8
CRANKSHAFT	38	C7
CROSS SHAFT	55	D3
CYLINDER BLOCK	34	C5
CYLINDER HEAD (FRONT)	3	B1
CYLINDER HEAD (REAR)	7	B3
CYLINDER HEAD COVER	2	B1
GASKET KIT A	64	D8
GASKET KIT B	65	D8
GEARSHIFT DRUM	50	D1
OIL FILTER	31	C3
OIL PAN	31	C3
OIL PUMP	31	C3
PISTON	38	C7
PULSER	24	B12
STARTER CLUTCH	24	B12
STARTER MOTOR	30	C3
TENSIONER	14	B7
THERMOSTAT	52	D2
TRANSMISSION	48	C12
VALVE	10	B5
WATER PIPE	52	D2
WATER PUMP	28	C2

CYLINDER BLOCK



E14MB0C12

Ref. No.	BLOCK NO. DESCRIPTION	VF750S		ENGINE SERIAL NUMBER		QTY REQ	PART NUMBER	HONDA CODE
		1 9 8 2	1 9 8 3	FROM	TO			
	2 = VF750S'82 3 = VF750S'83							
	30 BOLT, FLANGE, 8X80	2	3	-----	-----	1	95700-08080-00	0484048
	BOLT, FLANGE, 8X80	2	3	-----	-----	1	95701-08080-00	2533867
	31 BOLT, FLANGE, 6X12	2	3	-----	-----	3	96000-06012-00	0823666
	BOLT, FLANGE, 6X12	2	3	-----	-----	3	96001-06012-00	2105930
	32 BEARING, RADIAL BALL, 6304	2	3	-----	-----	1	96100-63040-00	0341644

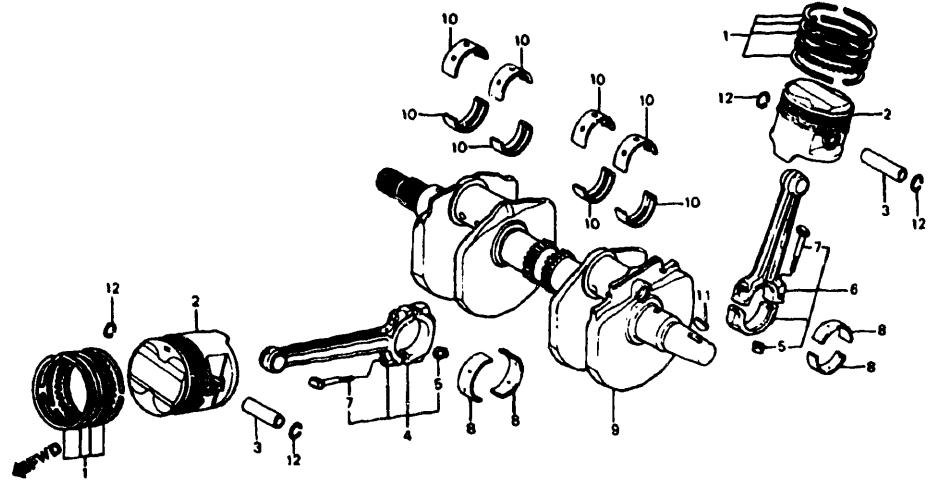
Ref. No.	BLOCK NO. DESCRIPTION	VF750S		ENGINE SERIAL NUMBER		QTY REQ	PART NUMBER	HONDA CODE
		1 9 8 2	1 9 8 3	FROM	TO			
	2 = VF750S'82 3 = VF750S'83							

CONTENTS

TITLE	PAGE	GRID
ALTERNATOR	26	C1
CAM CHAIN	14	B7
CAMSHAFT	10	B5
CARBURETOR (ASSY.LINK)	59	D5
CARBURETOR (COMP PARTS)	62	D7
CLUTCH B2	19	B9
CLUTCH B3	22	B11
COVER, RR	28	C2
CRANKCASE COVER, R	17	B8
CRANKSHAFT	38	C7
CROSS SHAFT	55	D3
CYLINDER BLOCK	34	C5
CYLINDER HEAD (FRONT)	3	B1
CYLINDER HEAD (REAR)	7	B3
CYLINDER HEAD COVER	2	B1
GASKET KIT A	64	D8
GASKET KIT B	65	D8
GEARSHIFT DRUM	50	D1
OIL FILTER	31	C3
OIL PAN	31	C3
OIL PUMP	31	C3
PISTON	38	C7
PULSER	24	B12
STARTER CLUTCH	24	B12
STARTER MOTOR	30	C3
TENSIONER	14	B7
THERMOSTAT	52	D2
TRANSMISSION	48	C12
VALVE	10	B5
WATER PIPE	52	D2
WATER PUMP	28	C2

VF750S'82 ENGINE NO.; RC07E-2000066 TO 2015996
 VF750S'82 FRAME NO.; RC070-CM000036 TO CM012083
 VF750S'83 ENGINE NO.; RC07E-2100018 TO 2115544
 VF750S'83 FRAME NO.; RC070-DM100006 TO DM108632

CRANKSHAFT • PISTON



Connecting rod selection table

REAR	13206 MBO 000.010	13207 MBO 000.010	13208 MBO 000.010	13209 MBO 000.010	13210 MBO 000.010
FRONT					
13201 MBO 000.010				•	•
13202 MBO 000.010			•	•	•
13203 MBO 000.010		•	•	•	
13204 MBO 000.010	•	•	•		
13205 MBO 000.010	•	•			

Crankshaft O.D. 360		Connecting rod I.D. 390		
		A	B	C
	0 +0.008	E (Yellow)	D (Green)	C (Brown)
1	+0.008 +0.016	D (Green)	C (Brown)	B (Black)
2	+0.016 +0.024	C (Brown)	B (Black)	A (Blue)

E14MB0C13T

CRANKSHAFT • PISTON

Crankshaft O.D. 360		Crankcase I.D. 390		
		1	2	3
	0 -0.008	E (Yellow)	D (Green)	C (Brown)
A	+0.008	D (Green)	C (Brown)	B (Black)
B	+0.016 +0.024	C (Brown)	B (Black)	A (Blue)

Crankshaft O.D. 360		Crankcase I.D. 390		
		1	2	3
	0 +0.008	E (Yellow)	D (Green)	C (Brown)
A	+0.008	D (Green)	C (Brown)	B (Black)
B	+0.016 +0.024	C (Brown)	B (Black)	A (Blue)

E14MB0C13 C

Ref. No.	BLOCK NO. E-13 DESCRIPTION	VF750S		ENGINE SERIAL NUMBER	QTY REQ	PART NUMBER	HONDA CODE
		1 9 8 2	1 9 8 3				
	2 = VF750S'82 3 = VF750S'83						
	1 RING SET, PISTON (STD.) (NIPPON)	2	--	-----	4	13011-MB0-003	1241025
	RING SET, PISTON (STD.) (TEIKOKU)	2	--	-----	4	13011-MB0-004	1241033
		--	3	-----	4	13011-MB0-004	1241033
	RING SET, PISTON (STD.) (NIPPON)	2	--	-----	4	13011-MB0-014	1513738
		--	3	-----	4	13011-MB0-014	1513738
	RING SET, PISTON (0.25) (NIPPON)	2	--	-----	(4)	13021-MB0-003	1244078
	RING SET, PISTON (0.25) (TEIKOKU)	2	--	-----	(4)	13021-MB0-004	1241041
		--	3	-----	(4)	13021-MB0-004	1241041
	RING SET, PISTON (0.25) (TEIKOKU)	2	--	-----	(4)	13021-MB0-014	1513746
		--	3	-----	(4)	13021-MB0-014	1513746
		--	3	2112906	1	13021-MB0-014	1513746
	RING SET, PISTON (0.50) (NIPPON)	2	--	-----	(4)	13031-MB0-003	1241058
	RING SET, PISTON (0.50) (TEIKOKU)	2	--	-----	(4)	13031-MB0-004	1241066
		--	3	-----	(4)	13031-MB0-004	1241066
	RING SET, PISTON (0.50) (TEIKOKU)	2	--	-----	(4)	13031-MB0-014	1513753
		--	3	-----	(4)	13031-MB0-014	1513753
		--	3	2112906	(1)	13031-MB0-014	1513753
	RING SET, PISTON (0.75) (NIPPON)	2	--	-----	(4)	13041-MB0-003	1241074

AMERICAN HONDA MOTOR CO. LTD. 1993 39

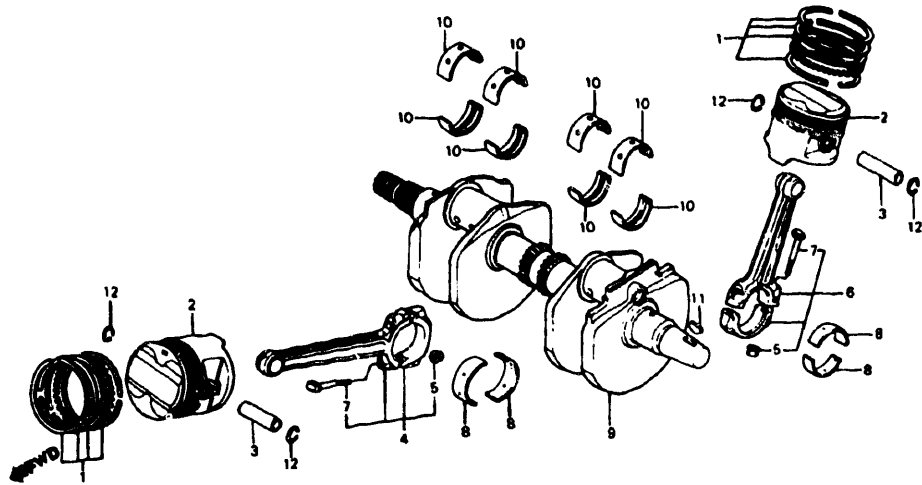
CONTENTS

TITLE	PAGE	GRID
ALTERNATOR	26	C1
CAM CHAIN	14	B7
CAMSHAFT	10	B5
CARBURETOR (ASSY.LINK)	59	D5
CARBURETOR (COMP. PARTS)	62	D7
CLUTCH B2	19	B9
CLUTCH B3	22	B11
COVER, RR	28	C2
CRANKCASE COVER, R.	17	B8
CRANKSHAFT	38	C7
CROSS SHAFT	55	D3
CYLINDER BLOCK	34	C5
CYLINDER HEAD (FRONT)	3	B1
CYLINDER HEAD (REAR)	7	B3
CYLINDER HEAD COVER	2	B1
GASKET KIT A	64	D8
GASKET KIT B	65	D8
GEARSHIFT DRUM	50	D1
OIL FILTER	31	C3
OIL PAN	31	C3
OIL PUMP	31	C3
PISTON	38	C7
PULSER	24	B12
STARTER CLUTCH	24	B12
STARTER MOTOR	30	C3
TENSIONER	14	B7
THERMOSTAT	52	D2
TRANSMISSION	48	C12
VALVE	10	B5
WATER PIPE	52	D2
WATER PUMP	28	C2

GRID

C7

CRANKSHAFT • PISTON



Connecting rod selection table

REAR / FRONT	13206 MBO 000.010	13207 MBO 000.010	13208 MBO 000.010	13209 MBO 000.010	13210 MBO 000.010
13201 MBO 000.010				•	•
13202 MBO 000.010			•	•	•
13203 MBO 000.010		•	•	•	
13204 MBO 000.010	•	•	•		
13205 MBO 000.010	•	•			

		Crank pin O.D. 36ø		
		A	B	C
Connecting rod I.D. 38ø		0	-0.008	-0.016
		-0.008	-0.016	-0.024
1	0 +0.008	E (Yellow)	D (Green)	C (Brown)
2	+0.008 +0.016	D (Green)	C (Brown)	B (Black)
3	+0.016 +0.024	C (Brown)	B (Black)	A (Blue)

E14MRIV

Ref. No.	BLOCK NO. E-13 DESCRIPTION	VF750S		ENGINE SERIAL NUMBER	QTY REQ	PART NUMBER	HONDA CODE
		2	3				
		1	1				
		9	9				
		8	8				
		2	3				
1	RING SET, PISTON (0.75) (TEIKOKU)	2	---	---	(4)	13041-MB0-004	1241082
		---	3	2112905	(4)	13041-MB0-004	1241082
	RING SET, PISTON (0.75) (TEIKOKU)	2	---	---	(4)	13041-MB0-014	1513761
		---	3	2112905	(4)	13041-MB0-014	1513761
		---	3	2112906	(1)	13041-MB0-014	1513761
	RING SET, PISTON (1.00) (NIPPON)	2	---	---	(4)	13051-MB0-003	1239276
	RING SET, PISTON (1.00) (TEIKOKU)	2	---	---	(4)	13051-MB0-004	1244086
		---	3	2112905	(4)	13051-MB0-004	1244086
	RING SET, PISTON (1.00) (TEIKOKU)	2	---	---	(4)	13051-MB0-014	1513779
		---	3	2112905	(4)	13051-MB0-014	1513779
		---	3	2112906	(1)	13051-MB0-014	1513779
	RING SET, PISTON (1.00) (NIPPON)	2	---	---	(4)	13051-MN0-305	2523967
		---	3	2112905	(4)	13051-MN0-305	2523967
		---	3	2112906	(1)	13051-MN0-305	2523967
	RING SET, PISTON (STD.) (NIPPON)	2	3	---	4	13011-MN0-305	2523884
		---	3	2112905	4	13011-MN0-305	2523884
	RING SET, PISTON (0.25) (NIPPON)	2	3	---	(4)	13021-MN0-305	2523900
	RING SET, PISTON (0.50) (NIPPON)	2	3	---	(4)	13031-MN0-305	2523926
		---	3	2112905	(4)	13031-MN0-305	2523926
		---	3	2112906	(1)	13031-MN0-305	2523926
	RING SET, PISTON (STD.) (NIPPON)	---	3	---	4	130A1-MB0-771	1433242
	RING SET, PISTON (0.25) (NIPPON)	---	3	---	(4)	13021-MB0-771	1515121
	RING SET, PISTON (0.50) (NIPPON)	---	3	---	(4)	13031-MB0-771	1442177
	RING SET, PISTON (0.75) (NIPPON)	---	3	---	(4)	13041-MB0-771	1442185
	RING SET, PISTON (1.00) (NIPPON)	---	3	---	(4)	13051-MB0-771	1442193
2	PISTON (STD.)	2	---	---	4	13101-MB0-000	1241090
		---	3	2105947	4	13101-MB0-000	1241090
	PISTON (0.25)	2	---	---	(4)	13102-MB0-000	1241108
		---	3	2105947	(4)	13102-MB0-000	1241108
	PISTON (0.50)	2	---	---	(4)	13103-MB0-000	1241116
		---	3	2105947	(4)	13103-MB0-000	1241116
	PISTON (0.75)	2	---	---	(4)	13104-MB0-000	1241124
		---	3	2105948	(4)	13104-MB0-000	1241124
	PISTON (0.75)	2	---	---	(4)	13104-MB0-010	1365097
		---	3	2105948	(4)	13104-MB0-010	1365097
		---	3	2105948	(4)	13104-MB0-010	1365097
	PISTON (1.00)	2	---	---	(4)	13105-MB0-000	1241132
		---	3	2105947	(4)	13105-MB0-000	1241132

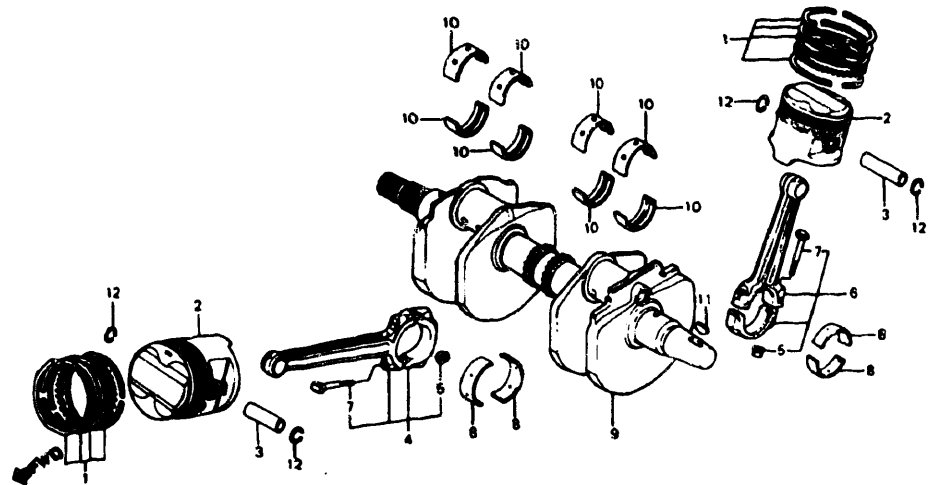
AMERICAN HONDA MOTOR CO. LTD. 1983 41

CONTENTS

TITLE	PAGE	GRID
ALTERNATOR	26	C1
CAM CHAIN	14	B7
CAMSHAFT	10	B5
CARBURETOR (ASSY.LINK)	59	D5
CARBURETOR (COMP PARTS)	62	D7
CLUTCH B2	19	B9
CLUTCH B3	22	B11
COVER, RR	28	C2
CRANKCASE COVER, R	17	B8
CRANKSHAFT	38	C7
CROSS SHAFT	55	D3
CYLINDER BLOCK	34	C5
CYLINDER HEAD (FRONT)	3	B1
CYLINDER HEAD (REAR)	7	B3
CYLINDER HEAD COVER	2	B1
GASKET KIT A	64	D8
GASKET KIT B	65	D8
GEARSHIFT DRUM	50	D1
OIL FILTER	31	C3
OIL PAN	31	C3
OIL PUMP	31	C3
PISTON	38	C7
PULSER	24	B12
STARTER CLUTCH	24	B12
STARTER MOTOR	30	C3
TENSIONER	14	B7
THERMOSTAT	52	D2
TRANSMISSION	48	C12
VALVE	10	B5
WATER PIPE	52	D2
WATER PUMP	28	C2

VF750S'82 ENGINE NO.; RC07E-2000066 TO 2015996
 VF750S'82 FRAME NO.; RC070-CM000036 TO CM012083
 VF750S'83 ENGINE NO.; RC07E-2100018 TO 2115544
 VF750S'83 FRAME NO.; RC070-DM100006 TO DM108632

CRANKSHAFT • PISTON



Connecting rod selection table

REAR / FRONT	13206 MBO 000.010	13207 MBO 000.010	13208 MBO 000.010	13209 MBO 000.010	13210 MBO 000.010
13201 MBO 000.010				•	•
13202 MBO 000.010			•	•	•
13203 MBO 000.010		•	•	•	
13204 MBO 000.010	•	•	•		
13205 MBO 000.010	•	•			

Crank pin O.D. 38ø		Connecting rod I.D. 39ø		
		A	B	C
		0 -0.008	-0.008 -0.016	-0.016 -0.024
1	0 +0.008	E (Yellow)	D (Green)	C (Brown)
2	+0.008 +0.016	D (Green)	C (Brown)	B (Black)
3	+0.016 +0.024	C (Brown)	B (Black)	A (Blue)

E14MBCC13T

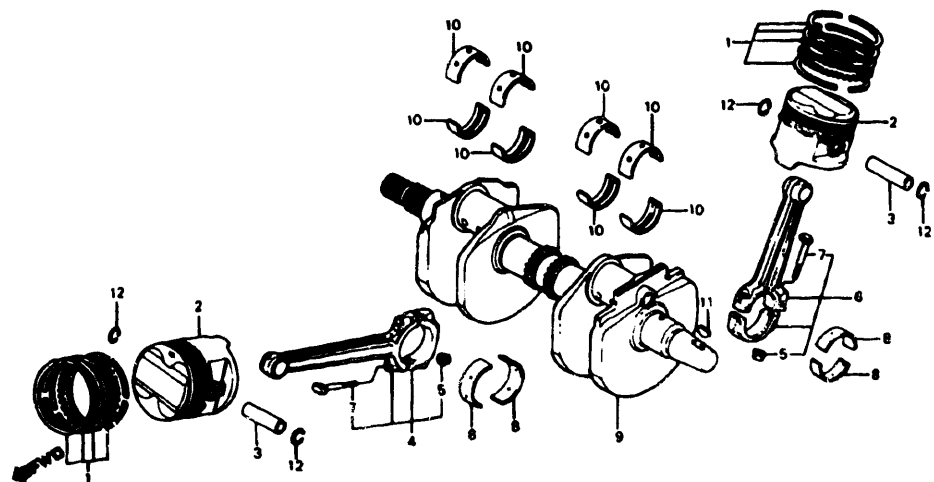
Ref. No.	BLOCK NO. E-13 DESCRIPTION	VF750S		ENGINE SERIAL NUMBER	QTY	PART NUMBER	HONDA CODE
		1 9 8 2	1 9 8 3				
2	PISTON (STD.)	2	3	-----	4	13101-MB0-010	1319300
		--	3	2105947	4	13101-MB0-010	1319300
	PISTON (0.25)	2	3	-----	(4)	13102-MB0-010	1365071
		--	3	2105947	(4)	13102-MB0-010	1365071
	PISTON (0.50)	2	3	-----	(4)	13103-MB0-010	1365089
		--	3	2105947	(4)	13103-MB0-010	1365089
	PISTON (0.50)	2	3	-----	(4)	13103-MN2-680	4102224
		--	3	2105947	(4)	13103-MN2-680	4102224
	PISTON (1.00)	2	3	2105948	(4)	13105-MB0-010	1435122
3	PIN, PISTON	2	3	-----	4	13111-MB0-000	1241140
	PIN, PISTON	2	3	-----	4	13111-MT3-000	3482114
4	ROD ASSY. A, FR. CONNECTING	2	3	-----	2	13201-MB0-000	1241157
		--	3	2109259	2	13201-MB0-000	1241157
	ROD ASSY. B, FR. CONNECTING	2	3	-----	2	13202-MB0-000	1241165
		--	3	2109259	2	13202-MB0-000	1241165
	ROD ASSY. C, FR. CONNECTING	2	3	-----	2	13203-MB0-000	1241173
		--	3	2109259	2	13203-MB0-000	1241173
	ROD ASSY. D, FR. CONNECTING	2	3	-----	2	13204-MB0-000	1241181
		--	3	2109259	2	13204-MB0-000	1241181
	ROD ASSY. E, FR. CONNECTING	2	3	-----	2	13205-MB0-000	1241199
		--	3	2109259	2	13205-MB0-000	1241199
	ROD ASSY. A, CONNECTING	2	3	2109260	2	13201-MB0-010	1435130
	ROD ASSY. B, CONNECTING	2	3	2109260	2	13202-MB0-010	1437623
	ROD ASSY. C, CONNECTING	2	3	2109260	2	13203-MB0-010	1437631
	ROD ASSY. D, CONNECTING	2	3	2109260	2	13204-MB0-010	1437649
	ROD ASSY. E, CONNECTING	2	3	2109260	2	13205-MB0-010	1437656
5	NUT, CONNECTING ROD	2	3	-----	8	13205-634-010	0549493
6	ROD ASSY. A, RR. CONNECTING	2	3	-----	2	13206-MB0-000	1241207
		--	3	2109259	2	13206-MB0-000	1241207
	ROD ASSY. B, RR. CONNECTING	2	3	-----	2	13207-MB0-000	1241215
		--	3	2109259	2	13207-MB0-000	1241215
	ROD ASSY. C, RR. CONNECTING	2	3	-----	2	13208-MB0-000	1241223
		--	3	2109259	2	13208-MB0-000	1241223
	ROD ASSY. D, RR. CONNECTING	2	3	-----	2	13209-MB0-000	1241231
		--	3	2109259	2	13209-MB0-000	1241231
	ROD ASSY. E, RR. CONNECTING	2	3	-----	2	13210-MB0-000	1241249
		--	3	2109259	2	13210-MB0-000	1241249

CONTENTS

TITLE	PAGE	GRID
ALTERNATOR	26	C1
CAM CHAIN	14	B7
CAMSHAFT	10	B5
CARBURETOR (ASSY.LINK)	59	D5
CARBURETOR (COMP. PARTS)	62	D7
CLUTCH B2	19	B9
CLUTCH B3	22	B11
COVER, RR.	28	C2
CRANKCASE COVER, R.	17	B8
CRANKSHAFT	38	C7
CROSS SHAFT	55	D3
CYLINDER BLOCK	34	C5
CYLINDER HEAD (FRONT)	3	B1
CYLINDER HEAD (REAR)	7	B3
CYLINDER HEAD COVER	2	B1
GASKET KIT A	64	D8
GASKET KIT B	65	D8
GEARSHIFT DRUM	50	D1
OIL FILTER	31	C3
OIL PAN	31	C3
OIL PUMP	31	C3
PISTON	38	C7
PULSER	24	B12
STARTER CLUTCH	24	B12
STARTER MOTOR	30	C3
TENSIONER	14	B7
THERMOSTAT	52	D2
TRANSMISSION	48	C12
VALVE	10	B5
WATER PIPE	52	D2
WATER PUMP	28	C2

VF750S'82 ENGINE NO.; RC07E-2000066 TO 2015996
 VF750S'82 FRAME NO.; RC070-CM000036 TO CM012083
 VF750S'83 ENGINE NO.; RC07E-2100018 TO 2115544
 VF750S'83 FRAME NO.; RC070-DM100006 TO DM108632

CRANKSHAFT • PISTON



Connecting rod selection table

REAR FRONT	13206 MBO 000.010	13207 MBO 000.C10	13208 MBO 000.010	13209 MBO 000.010	13210 MBO 000.010
13201 MBO 000.010				•	•
13202 MBO 000.010			•	•	•
13203 MBO 000.010		•	•	•	
13204 MBO 000.010	•	•	•		
13205 MBO 000.010	•	•			

Crank pin O.D. 36ø	Connecting rod I.D. 39ø		
	A	B	C
0	0	-0.008	-0.016
-0.008	-0.008	-0.016	-0.024
1 +0.008	E (Yellow)	D (Green)	C (Brown)
2 +0.008 +0.016	D (Green)	C (Brown)	B (Black)
3 +0.016 +0.024	C (Brown)	B (Black)	A (Blue)

E14M80C13T

2 = VF750S'82
3 = VF750S'83

Ref. No.	BLOCK NO. DESCRIPTION	VF750S		QTY REQ	PART NUMBER	HONDA CODE
		1 9 8 2	1 9 8 3			
		ENGINE SERIAL NUMBER				
		FROM	TO			
6	ROD ASSY. B, CONNECTING	2	3	2	13207-MB0-010	1437672
		--	3	2	13207-MB0-010	1437672
	ROD ASSY. D, CONNECTING	2	3	2	13209-MB0-010	1435213
		--	3	2	13209-MB0-010	1435213
	ROD ASSY. E, CONNECTING	2	3	2	13210-MB0-010	1435221
		--	3	2	13210-MB0-010	1435221
	ROD ASSY. A, CONNECTING	--	3	2	2109260	
	ROD ASSY. C, CONNECTING	--	3	2	2109260	
7	BOLT, CONNECTING ROD (TOKAI TRW)	2	3	8	13204-689-004	0725416
	BOLT, CONNECTING ROD (NAGOYA NEJI)	2	3	8	13213-422-004	0690792
8	BEARING A, CONNECTING ROD (BLUE)	2	3	8	13224-MB0-003	1260116
	BEARING A, CONNECTING ROD (BLUE)	2	3	8	13224-MB0-305	1853514
	BEARING A, CONNECTING ROD (BLUE)	2	3	8	13224-MB0-891	2053999
	BEARING A, CONNECTING ROD (BLUE)	2	3	8	13224-MB0-892	3255692
	BEARING B, CONNECTING ROD (BLACK)	2	3	8	13225-MB0-003	1260124
	BEARING B, CONNECTING ROD (BLACK)	2	3	8	13225-MB0-891	2054005
	BEARING B, CONNECTING ROD (BLACK)	2	3	8	13225-MB0-892	3045499
	BEARING C, CONNECTING ROD (BROWN)	2	3	8	13226-MB0-003	1260132
	BEARING C, CONNECTING ROD (BROWN)	2	3	8	13226-MB0-891	2054013
	BEARING C, CONNECTING ROD (BROWN)	2	3	8	13226-MB0-892	2956613
	BEARING D, CONNECTING ROD (GREEN)	2	3	8	13227-MB0-003	1260140
	BEARING D, CONNECTING ROD (GREEN)	2	3	8	13227-MB0-891	2054021
	BEARING D, CONNECTING ROD (GREEN)	2	3	8	13227-MB0-892	2956621
	BEARING E, CONNECTING ROD (YELLOW)	2	3	8	13228-MB0-003	1260157
	BEARING E, CONNECTING ROD (YELLOW)	2	3	8	13228-MB0-891	2054039
	BEARING E, CONNECTING ROD (YELLOW)	2	3	8	13228-MB0-892	2937829
9	CRANKSHAFT COMP.	2	--	1	13300-MB0-000	1241306
		--	3	1	13300-MB0-000	1241306
	CRANKSHAFT COMP.	2	--	1	13300-MB0-010	1458967
		--	3	1	13300-MB0-010	1458967
	CRANKSHAFT COMP.	2	--	1	13300-MB2-000	1434554
		--	3	1	13300-MB2-000	1434554

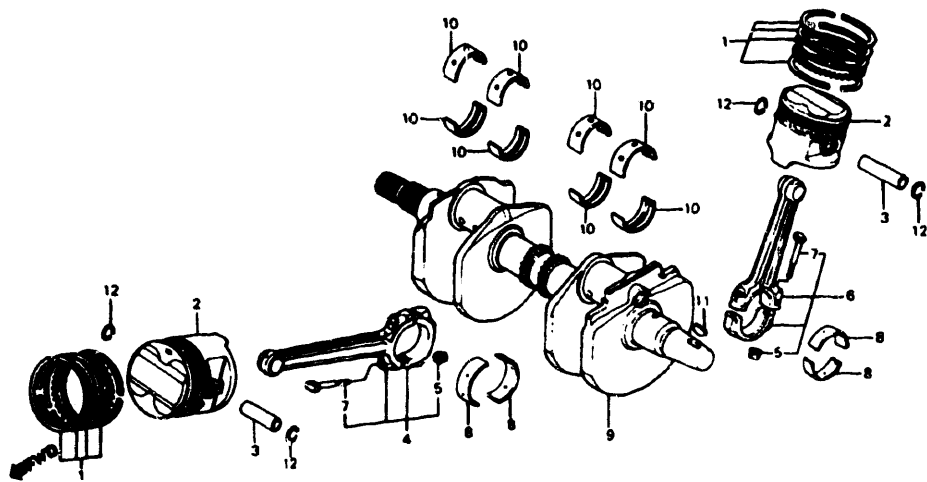
CONTENTS

TITLE	PAGE	GRID
ALTERNATOR	26	C1
CAM CHAIN	14	B7
CAMSHAFT	10	B5
CARBURETOR (ASSY.LINK)	59	D5
CARBURETOR (COMP. PARTS)	62	D7
CLUTCH B2	19	B9
CLUTCH B3	22	B11
COVER RR	28	C2
CRANKCASE COVER R	17	B8
CRANKSHAFT	38	C7
CROSS SHAFT	55	D3
CYLINDER BLOCK	34	C5
CYLINDER HEAD (FRONT)	3	B1
CYLINDER HEAD (REAR)	7	B3
CYLINDER HEAD COVER	2	B1
GASKET KIT A	64	D8
GASKET KIT B	65	D8
GEARSHIFT DRUM	50	D1
OIL FILTER	31	C3
OIL PAN	31	C3
OIL PUMP	31	C3
PISTON	38	C7
PULSER	24	B12
STARTER CLUTCH	24	B12
STARTER MOTOR	30	C3
TFNSIONER	14	B7
THERMOSTAT	52	D2
TRANSMISSION	48	C12
VALVE	10	B5
WATER PIPE	52	D2
WATER PUMP	28	C2

GRID

C10

CRANKSHAFT • PISTON



Connecting rod selection table

REAR	1320E MBO 000.010	13207 MBO 000.010	13208 MBO 000.010	13209 MBO 000.010	13210 MBO 000.010
FRONT					
13201 MBO 000.010				•	•
13202 MBO 000.010			•	•	•
13203 MBO 000.010		•	•	•	
13204 MBO 000.010	•	•	•		
13205 MBO 000.010	•	•			

Crank pin O D 36φ		A	B	C
Connecting rod O D 35φ		0 -0.008	-0.008 -0.016	-0.016 -0.024
1	0 +0.008	E (Yellow)	D (Green)	C (Brown)
2	+0.008 +0.016	D (Green)	C (Brown)	B (Black)
3	+0.016 +0.024	C (Brown)	B (Black)	A (Blue)

E14MBOC13T

2 = VF750S'82
3 = VF750S'83

Ref. No.	BLOCK NO. E-13	VF750S		ENGINE SERIAL NUMBER	QTY REQ	PART NUMBER	HONDA CODE
		1	2				
		1	1				
		9	9				
		8	8				
		2	3				
		2	3	FROM	TO		
9	CRANKSHAFT COMP.	2	3	-----	-----	13300-MBO-020	1506971
		--	3	-----	2112905	13300-MBO-020	1506971
	CRANKSHAFT COMP.	2	3	-----	-----	13300-MBO-030	2317048
		--	3	-----	2112905	13300-MBO-030	2317048
	CRANKSHAFT COMP.	2	3	-----	-----	13300-MBO-040	2424521
		--	3	-----	2112905	13300-MBO-040	2424521
10	BEARING A, CRANKSHAFT (BLUE)	2	3	-----	-----	13314-MBO-003	1260165
	BEARING A, CRANKSHAFT (BLUE)	2	3	-----	-----	13314-MBO-013	2016962
	BEARING B, CRANKSHAFT (BLACK) ...	2	3	-----	-----	13315-MBO-003	1260173
	BEARING B, CRANKSHAFT (BLACK) ...	2	3	-----	-----	13315-MBO-013	2016970
	BEARING C, CRANKSHAFT (BROWN) ...	2	3	-----	-----	13316-MBO-003	1260181
	BEARING C, CRANKSHAFT (BROWN) ...	2	3	-----	-----	13316-MBO-013	2016988
	BEARING D, CRANKSHAFT (GREEN) ...	2	3	-----	-----	13317-MBO-003	1260199
	BEARING D, CRANKSHAFT (GREEN) ...	2	3	-----	-----	13317-MBO-013	2016996
	BEARING E, CRANKSHAFT (YELLOW) ..	2	3	-----	-----	13318-MBO-003	1260207
	BEARING E, CRANKSHAFT (YELLOW) ..	2	3	-----	-----	13318-MBO-013	2017002
11	KEY, WOODRUFF	2	3	-----	-----	90741-413-000	0957571
12	CLIP, PISTON PIN, 18MM	2	3	-----	-----	94601-18000	0317305

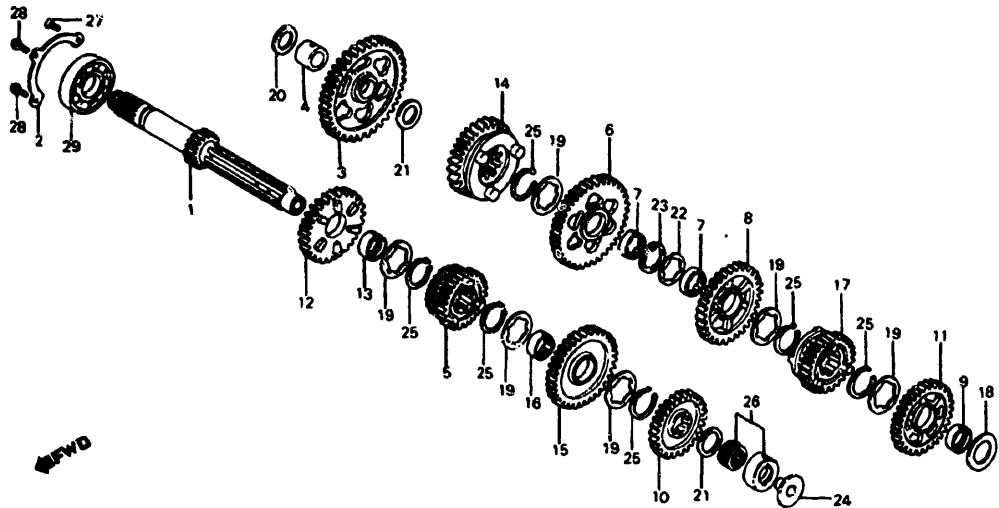
CONTENTS

TITLE	PAGE	GRID
ALTERNATOR	26	C1
CAM CHAIN	14	B7
CAMSHAFT	10	B5
CARBURETOR (ASSY.LINK)	59	D5
CARBURETOR (COMP PARTS)	62	D7
CLUTCH B2	19	B9
CLUTCH B3	22	B11
COVER, RR	28	C2
CRANKCASE COVER, R	17	B8
CRANKSHAFT	38	C7
CROSS SHAFT	55	D3
CYLINDER BLOCK	34	C5
CYLINDER HEAD (FRONT)	3	B1
CYLINDER HEAD (REAR)	7	B3
CYLINDER HEAD COVER	2	B1
GASKET KIT A	64	D8
GASKET KIT B	65	D8
GEARSHIFT DRUM	50	D1
OIL FILTER	31	C3
OIL PAN	31	C3
OIL PUMP	31	C3
PISTON	38	C7
PULSER	24	B12
STARTER CLUTCH	24	B12
STARTER MOTOR	30	C3
TENSIONER	14	B7
THERMOSTAT	52	D2
TRANSMISSION	48	C12
VALVE	10	B5
WATER PIPE	52	D2
WATER PUMP	28	C2

GRID

C11

TRANSMISSION



E14MBOC14

Ref. No.	BLOCK NO. DESCRIPTION	VF750S		ENGINE SERIAL NUMBER	QTY REQ	PART NUMBER	HONDA CODE
		1 9 8 2	1 9 8 3				
	2 = VF750S'82 3 = VF750S'83						
1	MAINSHAFT (17T)	2	--	----	1	23211-MB0-000	1242676
	MAINSHAFT (17T)	--	3	----	1	23211-MB0-770	1291277
2	PLATE, BEARING SETTING	2	3	----	1	23212-MB0-000	1242684
	PLATE, BEARING SETTING	2	3	----	1	23212-MB0-010	1781582
3	GEAR, COUNTERSHAFT LOW (39T)	2	3	----	1	23421-MB0-000	1242692
4	COLLAR, 20X11.8	2	3	----	1	23422-MB0-000	1242700
	COLLAR, 20X11.8	2	3	----	1	23422-MB0-010	2247674
5	GEAR, MAINSHAFT SECOND & THIRD (21T/24T)	2	--	----	1	23431-MB0-000	1242718
	GEAR, MAINSHAFT SECOND & THIRD (21T/24T)	--	3	2115140	1	23431-MB0-000	1242718
	GEAR, MAINSHAFT SECOND & THIRD (21T/24T)	2	3	----	1	23431-MB0-010	1372390
	GEAR, MAINSHAFT SECOND & THIRD (21T/24T)	--	3	2115140	1	23431-MB0-010	1372390
6	GEAR, COUNTERSHAFT SECOND (34T)	2	3	----	1	23441-MB0-000	1242726
7	COLLAR, SPLINE, 25X9.5	2	3	----	2	23442-MB0-000	1242734
8	GEAR, COUNTERSHAFT THIRD (31T)	2	3	----	1	23461-MB0-000	1242742
9	COLLAR, 25X10	2	3	----	1	23462-MB0-000	1242759

48 © AMERICAN HONDA MOTOR CO. LTD. 1993

VF750S'82 ENGINE NO.; RC07E-2000066 TO 2015996
 VF750S'82 FRAME NO.; RC070-CM000036 TO CM012083
 VF750S'83 ENGINE NO.; RC07E-2100018 TO 2115544
 VF750S'83 FRAME NO.; RC070-DM100006 TO DM108632

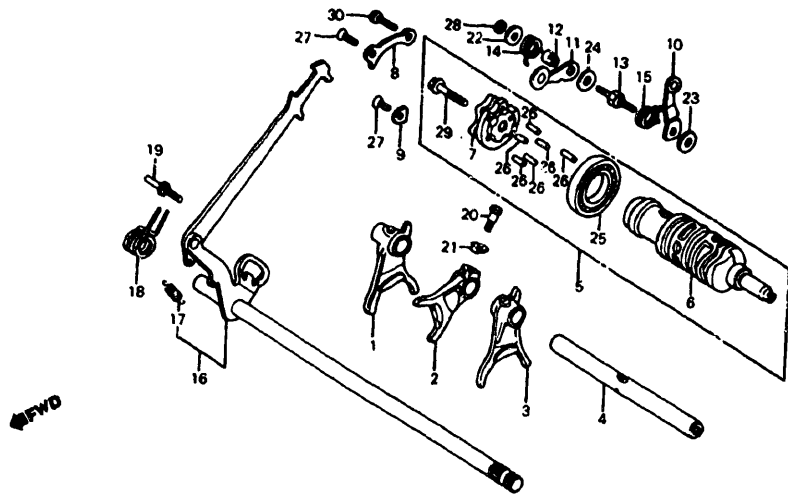
Ref. No.	BLOCK NO. DESCRIPTION	VF750S		ENGINE SERIAL NUMBER	QTY REQ	PART NUMBER	HONDA CODE
		1 9 8 2	1 9 8 3				
	2 = VF750S'82 3 = VF750S'83						
10	GEAR, MAINSHAFT FOURTH (27T)	2	3	----	1	23471-MB0-000	1242767
11	GEAR, COUNTERSHAFT FOURTH (29T)	2	3	----	1	23481-MB0-000	1242775
12	GEAR, MAINSHAFT FIFTH (29T)	2	3	----	1	23491-MB0-000	1242783
13	COLLAR, 25X12	2	3	----	1	23495-MB0-000	1242791
14	GEAR, COUNTERSHAFT FIFTH (26T)	2	--	----	1	23501-MB0-000	1242809
	GEAR, COUNTERSHAFT FIFTH (26T)	--	3	2115140	1	23501-MB0-000	1242809
	GEAR, COUNTERSHAFT FIFTH (26T)	2	3	----	1	23501-MB0-010	1457696
	GEAR, COUNTERSHAFT FIFTH (26T)	2	3	----	1	23501-MN0-000	2525541
15	GEAR, MAINSHAFT SIXTH (32T)	2	3	----	1	23511-MB0-000	1242817
16	COLLAR, SPLINE, 25X12.5	2	3	----	1	23512-MB0-000	1242825
17	GEAR, COUNTERSHAFT SIXTH (24T)	2	--	----	1	23521-MB0-000	1242833
	GEAR, COUNTERSHAFT SIXTH (24T)	--	3	2115140	1	23521-MB0-000	1242833
	GEAR, COUNTERSHAFT SIXTH (24T)	2	3	----	1	23521-MB0-010	1372416
	GEAR, COUNTERSHAFT SIXTH (24T)	--	3	2115140	1	23521-MB0-010	1372416
18	WASHER K, DRIVE PINION	2	3	----	1	41460-371-000	1243310
19	WASHER, THRUST, 25X34	2	3	----	6	90452-371-000	0409136
20	WASHER, THRUST, 20X1.1	2	--	----	1	90453-MB0-000	1243625
	WASHER, THRUST, 20X1.2	2	--	----	1	90454-MB0-000	1243633
	WASHER, THRUST, 20X1.00	2	--	----	1	90454-428-000	0684902
	WASHER, THRUST, 20X1.00	--	3	----	AR	90454-428-000	0684902
	WASHER, THRUST, 20X1.05	--	3	----	AR	90453-MB0-770	1312735
	WASHER, THRUST, 20X0.95	--	3	----	AR	90455-MB0-770	1312743
	WASHER, THRUST, 20X0.90	--	3	----	AR	90456-MB0-770	1312750
	WASHER, THRUST, 20X0.85	--	3	----	AR	90457-MB0-770	1312768
21	WASHER, THRUST, 20X1.00	2	3	----	2	90454-428-000	0684902
22	WASHER B, THRUST, 25MM	2	3	----	1	90461-286-000	0172460
23	WASHER, LOCK, 25MM	2	3	----	1	90462-323-000	0255257
24	ORIFICE, PLATE	2	3	----	1	90558-MB0-000	1251396
25	CIRCLIP, 25MM	2	3	----	6	90601-300-000	0193482
26	BEARING, NEEDLE, 20MM	2	3	----	1	91022-415-002	0670976
27	SCREW, FLAT, 6X16	2	3	----	1	93600-06016-0A	0805358
28	BOLT, FLANGE, 6X16	2	3	----	2	96000-06016-00	1113687
	BOLT, FLANGE, 6X16	2	3	----	2	96001-06016-00	2105955
29	BEARING, RADIAL BALL, 6305	2	3	----	1	96100-63050-00	0674408

© AMERICAN HONDA MOTOR CO. LTD. 1993 49

CONTENTS

TITLE	PAGE	GRID
ALTERNATOR	26	C1
CAM CHAIN	14	B7
CAMSHAFT	10	B5
CARBURETOR (ASSY.LINK)	59	D5
CARBURETOR (COMP. PARTS)	62	D7
CLUTCH B2	19	B9
CLUTCH B3	22	B11
COVER, RR.	28	C2
CRANKCASE COVER, R.	17	B8
CRANKSHAFT	38	C7
CROSS SHAFT	55	D3
CYLINDER BLOCK	34	C5
CYLINDER HEAD (FRONT)	3	B1
CYLINDER HEAD (REAR)	7	B3
CYLINDER HEAD COVER	2	B1
GASKET KIT A	64	D8
GASKET KIT B	65	D8
GEARSHIFT DRUM	50	D1
OIL FILTER	31	C3
OIL PAN	31	C3
OIL PUMP	31	C3
PISTON	38	C7
PULSER	24	B12
STARTER CLUTCH	24	B12
STARTER MOTOR	30	C3
TENSIONER	14	B7
THERMOSTAT	52	D2
TRANSMISSION	48	C12
VALVE	10	B5
WATER PIPE	52	D2
WATER PUMP	28	C2

GEARSHIFT DRUM



E14MBOC15

Ref. No.	BLOCK NO. E-15 DESCRIPTION	VF750S		QTY REQ	PART NUMBER	HONDA CODE
		1 9 8 2	1 9 8 3			
2	VF750S'82					
3	VF750S'83					
1	FORK, R. GEARSHIFT	2	--	1	24211-MB0-010	1406156
	FORK, R. GEARSHIFT	2	3	1	24211-MB0-770	1372424
2	FORK, CENTER GEARSHIFT	2	--	1	24212-MB0-010	1406172
	FORK, CENTER GEARSHIFT	2	3	1	24212-MB0-770	1372432
3	FORK, L. GEARSHIFT	2	--	1	24213-MB0-010	1406180
	FORK, L. GEARSHIFT	2	3	1	24213-MB0-770	1372440
4	SHAFT COMP., GEARSHIFT FORK	2	3	1	24261-MB0-010	1372457
5	DRUM COMP., GEARSHIFT	2	3	1	24300-MB0-000	1242882
6	DRUM, GEARSHIFT	2	3	1	24302-MB0-000	1242890
7	PLATE, DRUM CAM	2	3	1	24305-MB0-003	1242908
8	PLATE A, DRUM	2	3	1	24320-MB0-000	1242916
9	PLATE B, DRUM SETTING	2	3	1	24321-MB0-000	1242924
10	ARM COMP., NEUTRAL STOPPER	2	3	1	24420-MB0-000	1242932
11	ARM COMP., SHIFT DRUM STOPPER	2	3	1	24430-MB0-000	1242940
12	COLLAR, GEARSHIFT DRUM STOPPER	2	3	1	24432-413-000	0494336
13	SHAFT, SHIFT DRUM STOPPER PIVOT	2	3	1	24434-MB0-000	1242957

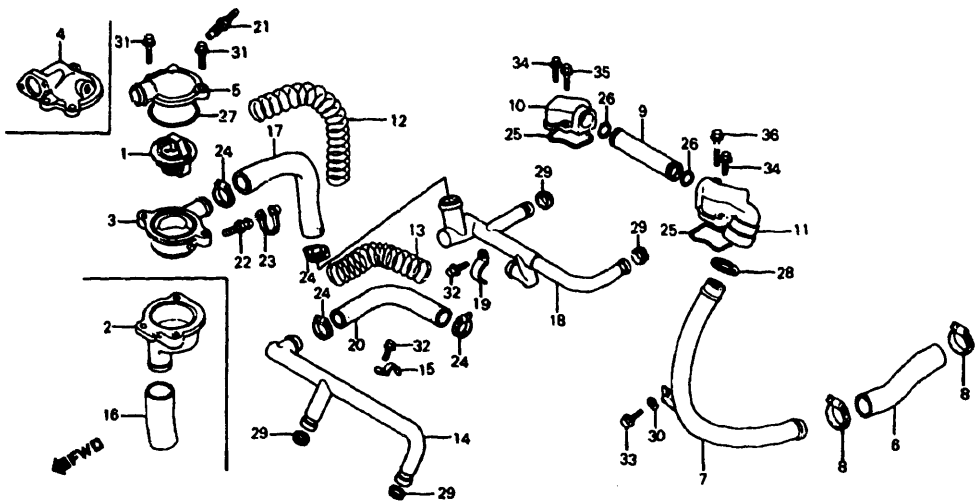
Ref. No.	BLOCK NO. E-15 DESCRIPTION	VF750S		QTY REQ	PART NUMBER	HONDA CODE
		1 9 8 2	1 9 8 3			
14	SPRING, SHIFT DRUM STOPPER	2	3	1	24435-MB0-000	1242965
15	SPRING, NEUTRAL STOPPER	2	3	1	24436-MB0-000	1242973
16	SPINDLE COMP., GEARSHIFT	2	3	1	24610-MB0-000	1242981
17	SPRING, GEARSHIFT ARM	2	3	1	24641-MB0-000	1242999
	SPRING, GEARSHIFT ARM	2	3	1	24641-MB0-010	1554047
18	SPRING, GEARSHIFT RETURN	2	3	1	24651-MB0-000	1243005
19	PIN, SHIFT RETURN SPRING	2	3	1	24652-259-000	0039461
20	BOLT, SPECIAL, 7X18	2	3	1	90041-MB0-000	1243468
21	WASHER, LOCK	2	3	1	90407-MB0-000	1243575
22	WASHER, SHIFT DRUM STOPPER	2	3	1	90487-MB0-000	1243666
23	WASHER, 6X2.3	2	3	1	90488-MB0-000	1243674
24	WASHER, SPECIAL, 6MM	2	3	1	90489-MB0-000	1266097
25	BEARING, BALL, 16005 (NTN)	2	3	1	91008-374-003	0362855
	BEARING, 16005	2	3	1	91051-719-003	1243823
26	ROLLER, 4X13.8	2	3	6	91101-MB0-003	1243831
27	SCREW, FLAT, 6X16	2	3	2	93600-06016-0A	0805358
28	NUT, HEX., 6MM	2	3	1	94002-06200	1317015
29	BOLT, FLANGE, 8X32	2	3	1	95800-08032-00	0768879
	BOLT, FLANGE, 8X32	2	3	1	95801-08032-00	3699352
30	BOLT, FLANGE, 6X16	2	3	1	96000-06016-00	1113687
	BOLT, FLANGE, 6X16	2	3	1	96001-06016-00	2105955

CONTENTS

TITLE	PAGE	GRID
ALTERNATOR	26	C1
CAM CHAIN	14	B7
CAMSHAFT	10	B5
CARBURETOR (ASSY.LINK)	59	D5
CARBURETOR (COMP. PARTS)	62	D7
CLUTCH B2	19	B9
CLUTCH B3	22	B11
COVER, RR	28	C2
CRANKCASE COVER, R	17	B8
CRANKSHAFT	38	C7
CROSS SHAFT	55	D3
CYLINDER BLOCK	34	C5
CYLINDER HEAD (FRONT)	3	B1
CYLINDER HEAD (REAR)	7	B3
CYLINDER HEAD COVER	2	B1
GASKET KIT A	64	D8
GASKET KIT B	65	D8
GEARSHIFT DRUM	50	D1
OIL FILTER	31	C3
OIL PAN	31	C3
OIL PUMP	31	C3
PISTON	38	C7
PULSER	24	B12
STARTER CLUTCH	24	B12
STARTER MOTOR	30	C3
TENSIONER	14	B7
THERMOSTAT	52	D2
TRANSMISSION	48	C12
VALVE	10	B5
WATER PIPE	52	D2
WATER PUMP	28	C2

VF750S'82 ENGINE NO.; RC07E-2000066 TO 2015996
 VF750S'82 FRAME NO.; RC070-CM000036 TO CM012083
 VF750S'83 ENGINE NO.; RC07E-2100018 TO 2115544
 VF750S'83 FRAME NO.; RC070-DM100006 TO DM108632

WATER PIPE • THERMOSTAT



E14MB0C16

Ref. No.	BLOCK NO. E-16 DESCRIPTION	VF750S		ENGINE SERIAL NUMBER	QTY	PART NUMBER	HONDA CODE
		1 9 8 2	1 9 8 3				
2	VF750S'82						
3	VF750S'83						
1	THERMOSTAT	2	3		1	19300-MB0-003	1242155
2	CASE, THERMOSTAT	2			1	19311-MB0-000	1242163
3	CASE, THERMOSTAT		3		1	19311-MB1-000	1245646
4	COVER, THERMOSTAT	2			1	19315-MB0-000	1242171
5	COVER, THERMOSTAT		3		1	19315-MB0-770	1316595
6	HOSE, CONNECTING	2	3		1	19502-MB0-000	1242189
7	PIPE, WATER OUTLET CONNECTING	2	3		1	19504-MB0-000	1242197
8	CLAMP, WATER HOSE	2	3		2	19506-KA4-000	1039635
9	PIPE, CONNECTING	2	3		1	19507-MB0-000	1242205
10	CAP A, CONNECTING	2	3		1	19508-MB0-000	1242213
11	CAP B, CONNECTING PIPE	2	3		1	19509-MB0-000	1242221
12	WIRE A, GUARD		3		1	19511-MB1-000	1245661
13	WIRE B, GUARD	2	3		1	19512-MB0-000	1242239
14	PIPE A, WATER	2	3		1	19520-MB0-000	1242247
15	CLAMP A, WATER PIPE	2	3		1	19524-MB0-000	1242254
16	HOSE A, WATER	2			1	19526-MB0-000	1242262

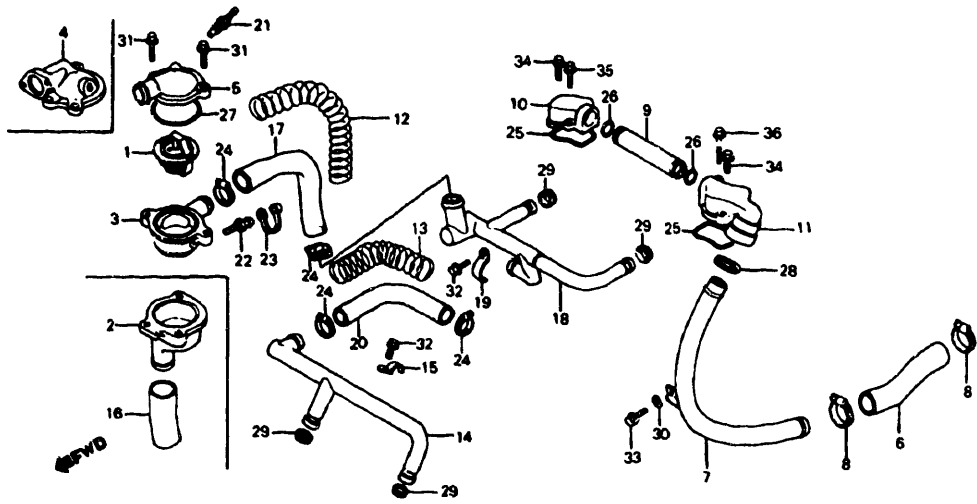
Ref. No.	BLOCK NO. E-16 DESCRIPTION	VF750S		ENGINE SERIAL NUMBER	QTY	PART NUMBER	HONDA CODE
		1 9 8 2	1 9 8 3				
17	HOSE, WATER		3		1	19526-MB1-000	1245679
18	PIPE B, WATER	2	3		1	19530-MB0-000	1242270
19	CLAMP B, WATER PIPE	2			1	19534-MB0-000	1242288
	CLAMP A, WATER PIPE		3	2107555	1	19534-MB0-000	1242288
20	HOSE B, WATER	2	3		1	19536-MB0-000	1242296
21	SENDING UNIT, WATER TEMPERATURE (ND)	2	3		1	37750-PC1-004	1130780
22	SCREW, BLEEDER	2	3		1	43352-568-003	0505735
23	CAP, BLEEDER SCREW	2	3		1	43353-461-771	0954230
24	CLAMP, WATER HOSE	2	3		4	50228-MB0-000	1243328
25	GASKET, CONNECTING CAP	2	3		2	91301-MB0-000	1243880
26	O-RING, 18.3X2.3 (ARAI)	2	3		2	91301-147-023	1005453
27	O-RING, 58X2	2	3		1	91307-MB0-003	1260827
28	SEAL, WATER PIPE	2			1	91302-415-003	1272079
	SEAL, WATER PIPE		3	2109659	1	91302-415-003	1272079
	SEAL, WATER PIPE		3	2102112	1	91302-415-003	1272079
	SEAL, WATER PIPE	2			1	91315-MB0-003	1260884
	SEAL, WATER PIPE		3	2102112	1	91315-MB0-003	1260884
	SEAL, WATER PIPE		3	2109660	1	91315-MB0-013	1435239
29	O-RING, 13.8X2.5	2		2020351 2020866	4	91303-MG7-003	2995447
	O-RING, 13.8X2.5	2		2020351 2020866	4	91303-377-000	0499525
	O-RING, 13.8X2.5	2		2020351 2020866	4	91303-426-000	1113372
	SEAL A, WATER PIPE	2			4	91335-MB0-003	1260892
	O-RING, 13X2.5	2		2020350 2020350	4	91335-567-000	0422428
	O-RING, 13X2.5	2		2020867	4	91335-567-000	0422428
	O-RING, 13X2.5		3		4	91335-567-000	0422428
30	WASHER, PLAIN, 6MM	2	3		1	94101-06000	0059071
	WASHER, PLAIN, 6MM	2	3		1	94101-06080	3136074
	WASHER, PLAIN, 6MM	2	3		1	94101-06800	0345900
31	BOLT, FLANGE, 6X22	2	3		2	95700-06022-00	0483925
	BOLT, FLANGE, 6X22	2	3		2	95701-06022-00	2105823
32	BOLT, FLANGE, 6X14	2	3		2	96000-06014-00	0782854
	BOLT, FLANGE, 6X14	2	3		2	96001-06014-00	2154672
33	BOLT, FLANGE, 6X16	2	3		1	96000-06016-00	1113687

CONTENTS

TITLE	PAGE	GRID
ALTERNATOR	26	C1
CAM CHAIN	14	B7
CAMSHAFT	10	B5
CARBURETOR (ASSY.LINK)	59	D5
CARBURETOR (COMP. PARTS)	62	D7
CLUTCH B2	19	B9
CLUTCH B3	22	B11
COVER, RR	28	C2
CRANKCASE COVER, R.	17	B8
CRANKSHAFT	38	C7
CROSS SHAFT	55	D3
CYLINDER BLOCK	34	C5
CYLINDER HEAD (FRONT)	3	B1
CYLINDER HEAD (REAR)	7	B3
CYLINDER HEAD COVER	2	B1
GASKET KIT A	64	D8
GASKET KIT B	65	D8
GEARSHIFT DRUM	50	D1
OIL FILTER	31	C3
OIL PAN	31	C3
OIL PUMP	31	C3
PISTON	38	C7
PULSER	24	B12
STARTER CLUTCH	24	B12
STARTER MOTOR	30	C3
TENSIONER	14	B7
THERMOSTAT	52	D2
TRANSMISSION	48	C12
VALVE	10	B5
WATER PIPE	52	D2
WATER PUMP	28	C2

VF750S'82 ENGINE NO.; RC07E-2900066 TO 2015996
 VF750S'82 FRAME NO.; RC070-CM000036 TO CM012083
 VF750S'83 ENGINE NO.; RC07E-2100018 TO 2115544
 VF750S'83 FRAME NO.; RC070-DM100006 TO DM108632

WATER PIPE • THERMOSTAT

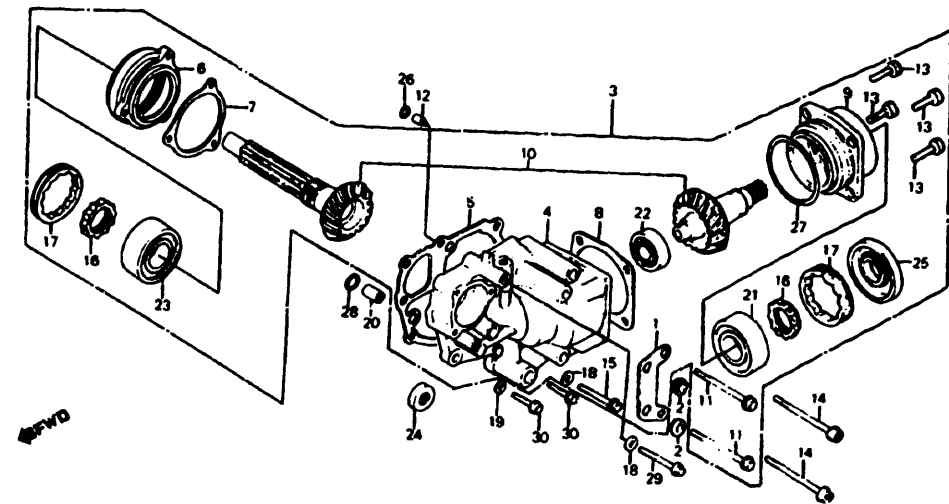


E14MB0C16

Ref. No.	BLOCK NO. E-16 DESCRIPTION	VF750S		ENGINE SERIAL NUMBER FROM TO	QTY REQ	PART NUMBER	HONDA CODE
		1 9 8 2	1 9 8 3				
		2	3				
	2 = VF750S'82 3 = VF750S'83						
33	BOLT, FLANGE, 6X16	2	3	-----	1	96001-06016-00	2105955
34	BOLT, FLANGE, 6X22	2	--	-----	2	96000-06022-00	0811034
	BOLT, FLANGE, 6X22	2	--	-----	2	96001-06022-00	2112191
	BOLT, FLANGE, 6X22	--	3	2107802	2	90031-MB0-000	1496223
	BOLT, FLANGE, 6X22	--	3	-----	2	96000-06022-07	1292234
	BOLT, FLANGE, 6X22	--	3	2107801	2	96001-06022-07	2105971
35	BOLT, FLANGE, 6X25	2	--	-----	1	96000-06025-00	0782862
	BOLT, FLANGE, 6X25	2	--	-----	1	96001-06025-00	2105989
	BOLT, FLANGE, 6X25	--	3	2107802	1	90032-MB0-000	1496231
	BOLT, FLANGE, 6X25	--	3	2107801	1	96000-06025-07	1251941
	BOLT, FLANGE, 6X25	--	3	2107801	1	96001-06025-07	2105997
36	BOLT, FLANGE, 6X35	2	--	-----	1	96000-06035-00	0799080
	BOLT, FLANGE, 6X35	2	--	-----	1	96001-06035-00	2112209
	BOLT, FLANGE, 6X35	--	3	2107802	1	90033-MB0-000	1486729
	BOLT, FLANGE, 6X35	--	3	2107801	1	96000-06035-07	0807362
	BOLT, FLANGE, 6X35	--	3	2107801	1	96001-06035-07	2533891

VF750S'82 ENGINE NO.; RC07E-2000066 TO 2015996
 VF750S'82 FRAME NO.; RC070-CM000036 TO CM012083
 VF750S'83 ENGINE NO.; RC07E-2100018 TO 2115544
 VF750S'83 FRAME NO.; RC070-DM100006 TO DM108632

CROSS SHAFT



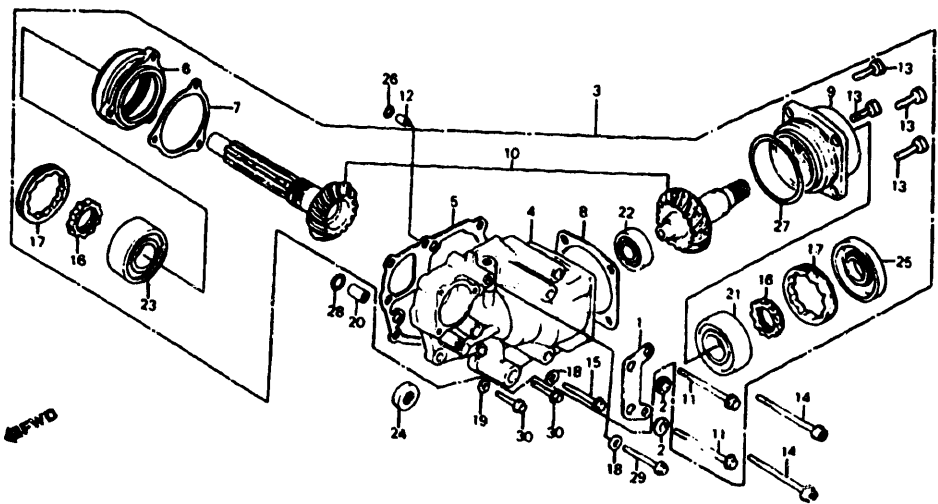
E14MB0C17

Ref. No.	BLOCK NO. E-17 DESCRIPTION	VF750S		ENGINE SERIAL NUMBER FROM TO	QTY REQ	PART NUMBER	HONDA CODE
		1 9 8 2	1 9 8 3				
		2	3				
	2 = VF750S'82 3 = VF750S'83						
1	COVER, CLUTCH	2	3	-----	1	11342-MB0-000	1240829
2	GROMMET B, RR. COVER	2	3	-----	2	11345-MB0-000	1240852
3	CASE ASSY., SIDE GEAR	2	--	-----	1	21100-MB0-000	1242304
	CASE ASSY., SIDE GEAR	2	--	-----	1	21100-MB0-870	1723097
	CASE ASSY., SIDE GEAR	--	3	-----	1	21100-MB0-770	1290725
4	CASE COMP., SIDE GEAR	2	3	-----	1	21200-MB0-000	1242312
5	GASKET, SIDE GEAR CASE (0.3)	2	--	-----	1	21293-MB0-000	1242320
	GASKET, SIDE GEAR CASE (0.4)	2	--	-----	1	21294-MB0-000	1242338
	GASKET, SIDE GEAR CASE (0.5)	2	--	-----	1	21295-MB0-000	1242346
	GASKET, SIDE GEAR CASE (0.6)	2	--	-----	1	21296-MB0-000	1242353
	GASKET, SIDE GEAR CASE (0.7)	2	--	-----	1	21297-MB0-000	1242361
	GASKET, SIDE GEAR CASE (0.8)	2	--	-----	1	21298-MB0-000	1242379
	GASKET, SIDE GEAR CASE	2	3	-----	1	21291-MB0-770	1290758
6	HOLDER, COUNTERSHAFT BEARING	2	3	-----	1	21301-MB0-000	1245687
7	SHIM, COUNTERSHAFT (0.04)	2	--	-----	AR	21311-MB0-000	1242395
	SHIM, COUNTERSHAFT (0.20)	2	--	-----	AR	21312-MB0-000	1242403

CONTENTS

TITLE	PAGE	GRID
ALTERNATOR	26	C1
CAM CHAIN	14	B7
CAMSHAFT	10	B5
CARBURETOR (ASSY.LINK)	59	D5
CARBURETOR (COMP. PARTS)	62	D7
CLUTCH B2	19	B9
CLUTCH B3	22	B11
COVER, RR.	28	C2
CRANKCASE COVER, R.	17	B8
CRANKSHAFT	38	C7
CROSS SHAFT	55	D3
CYLINDER BLOCK	34	C5
CYLINDER HEAD (FRONT)	3	B1
CYLINDER HEAD (REAR)	7	B3
CYLINDER HEAD COVER	2	B1
GASKET KIT A	64	D8
GASKET KIT B	65	D8
GEARSHIFT DRUM	50	D1
OIL FILTER	31	C3
OIL PAN	31	C3
OIL PUMP	31	C3
PISTON	38	C7
PULSER	24	B12
STARTER CLUTCH	24	B12
STARTER MOTOR	30	C3
TENSIONER	14	B7
THERMOSTAT	52	D2
TRANSMISSION	48	C12
VALVE	10	B5
WATER PIPE	52	D2
WATER PUMP	28	C2

CROSS SHAFT



E14MB0C17

Ref. No.	BLOCK NO. E-17 DESCRIPTION	VF750S		ENGINE SERIAL NUMBER	REQ	PART NUMBER	HONDA CODE
		1 9 8 2	1 9 8 3				
	2 = VF750S'82 3 = VF750S'83						
7	SHIM, COUNTERSHAFT (0.25)	2	--	----	AR	21313-MB0-000	1242411
	SHIM, COUNTERSHAFT (0.30)	2	--	----	AR	21314-MB0-000	1242429
	SHIM, COUNTERSHAFT (0.35)	2	--	----	AR	21315-MB0-000	1242437
	SHIM, COUNTERSHAFT (0.40)	2	--	----	AR	21316-MB0-000	1242445
	SHIM, COUNTERSHAFT (0.40)	2	3	----	AR	21321-MB0-770	1290824
	SHIM, COUNTERSHAFT (0.45)	--	3	----	AR	21322-MB0-770	1290832
	SHIM, COUNTERSHAFT (0.50)	--	3	----	AR	21323-MB0-770	1290857
	SHIM, COUNTERSHAFT (0.55)	--	3	----	AR	21324-MB0-770	1290865
	SHIM, COUNTERSHAFT (0.60)	--	3	----	AR	21325-MB0-770	1290881
8	SHIM, CROSS SHAFT (0.04)	2	--	----	AR	21341-MB0-000	1242452
	SHIM, CROSS SHAFT (0.20)	2	--	----	AR	21342-MB0-000	1242460
	SHIM, CROSS SHAFT (0.25)	2	--	----	AR	21343-MB0-000	1242478
	SHIM, CROSS SHAFT (0.30)	2	--	----	AR	21344-MB0-000	1242486
	SHIM, CROSS SHAFT (0.35)	2	--	----	AR	21345-MB0-000	1242494
	SHIM, CROSS SHAFT (0.40)	2	--	----	AR	21346-MB0-000	1242502
	SHIM, CROSS SHAFT (0.40)	--	3	----	AR	21381-MB0-770	1290907

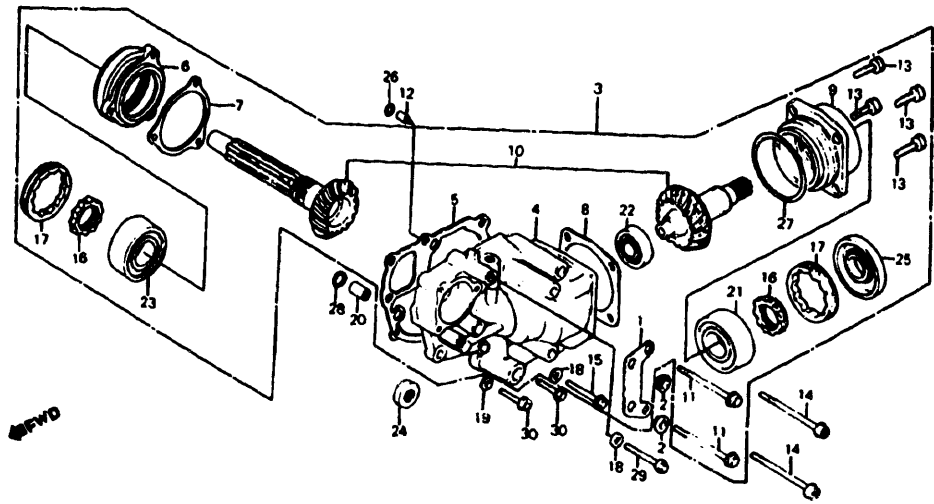
Ref. No.	BLOCK NO. E-17 DESCRIPTION	VF750S		ENGINE SERIAL NUMBER	REQ	PART NUMBER	HONDA CODE
		1 9 8 2	1 9 8 3				
	2 = VF750S'82 3 = VF750S'83						
8	SHIM, CROSS SHAFT (0.45)	--	3	----	AR	21382-MB0-770	1290931
	SHIM, CROSS SHAFT (0.50)	--	3	----	AR	21383-MB0-770	1290949
	SHIM, CROSS SHAFT (0.55)	--	3	----	AR	21384-MB0-770	1290956
	SHIM, CROSS SHAFT (0.60)	--	3	----	AR	21385-MB0-770	1290980
9	HOLDER, CROSS SHAFT BEARING	2	3	----	1	21371-MB0-000	1242510
10	SHAFT SET, CROSS	2	--	----	1	23200-MB0-000	1242668
	SHAFT SET, CROSS	2	3	----	1	23200-MB0-870	1723105
11	BOLT, UBS, 8X100	2	3	----	2	90004-422-000	0690537
12	ORIFICE, OIL CONTROL	2	3	----	1	90049-MB0-000	1243484
13	BOLT, SOCKET, 8X22	2	3	----	4	90061-MB0-000	1243500
14	BOLT, FLANGE SOCKET, 8X85	2	3	----	2	90062-MB0-000	1243518
15	BOLT, UBS, 8X60	2	3	----	1	90063-MB0-003	1243526
16	NUT, LOCK, 30MM	2	3	----	2	90241-MB0-000	1243559
17	NUT, LOCK, 64MM	2	3	----	2	90242-MB0-000	1243567
18	WASHER, SEALING, 8MM	2	3	----	2	90442-MB0-000	1243617
19	WASHER A, SEALING, 6MM	2	3	----	1	90443-035-000	0070987
20	ORIFICE, PIN, 10X16	2	3	----	1	90703-MB0-000	1243732
21	BEARING, BALL, 5206 (TOYO)	2	3	----	1	91008-300-008	0315358
22	BEARING, BALL, 6303 (KOYO)	2	3	----	1	91011-MB0-003	1243757
	BEARING, BALL, 6303 (TOYO)	2	3	----	1	91011-MB0-004	1243765
23	BEARING, RADIAL BALL, 5206	2	3	----	1	91012-MB0-003	1243773
24	OIL SEAL, 8X25X8	2	--	----	1	91204-MB0-000	1243856
	OIL SEAL, 8X25X8	2	--	----	1	91204-MB0-003	1331099
	OIL SEAL, 8X25X8	2	3	----	1	91204-MB0-003	1331099
	OIL SEAL, 8X25X8 (ARAI)	2	--	----	1	91204-MB0-013	2952943
	OIL SEAL, 8X25X8 (ARAI)	2	3	----	1	91204-MB0-013	2952943
25	OIL SEAL, 25X66X8.5	2	--	----	1	91205-MB0-000	1243864
	OIL SEAL, 25X66X8.5 (ARAI)	2	3	----	1	91205-MB0-771	1312776
	OIL SEAL, 25X66X8.5 (ARAI)	2	3	----	1	91205-MG7-003	1562446
26	O-RING, 5.7X2.2 (ARAI)	2	3	----	1	91308-MB0-003	1260835
27	O-RING, 3X70	2	3	----	1	91314-MJ0-000	1690767
	O-RING, 70X3	2	3	----	1	91314-300-000	0483826
28	O-RING, 9.8X2.4	2	3	----	1	91305-422-000	0688986

CONTENTS

TITLE	PAGE	GRID
ALTERNATOR	26	C1
CAM CHAIN	14	B7
CAMSHAFT	10	B5
CARBURETOR (ASSY.LINK)	59	D5
CARBURETOR (COMP. PARTS)	62	D7
CLUTCH B2	19	B9
CLUTCH B3	22	B11
COVER, RR	28	C2
CRANKCASE COVER, R	17	B8
CRANKSHAFT	38	C7
CROSS SHAFT	55	D3
CYLINDER BLOCK	34	C5
CYLINDER HEAD (FRONT)	3	B1
CYLINDER HEAD (REAR)	7	B3
CYLINDER HEAD COVER	2	B1
GASKET KIT A	64	D8
GASKET KIT B	65	D8
GEARSHIFT DRUM	50	D1
OIL FILTER	31	C3
OIL PAN	31	C3
OIL PUMP	31	C3
PISTON	38	C7
PULSER	24	B12
STARTER CLUTCH	24	B12
STARTER MOTOR	30	C3
TENSIONER	14	B7
THERMOSTAT	52	D2
TRANSMISSION	48	C12
VALVE	10	B5
WATER PIPE	52	D2
WATER PUMP	28	C2

VF750S'82 ENGINE NO.; RC07E-2000066 TO 2015996
 VF750S'82 FRAME NO.; RC070-CM000036 TO CM012083
 VF750S'83 ENGINE NO.; RC07E-2100018 TO 2115544
 VF750S'83 FRAME NO.; RC070-DM100006 TO DM108632

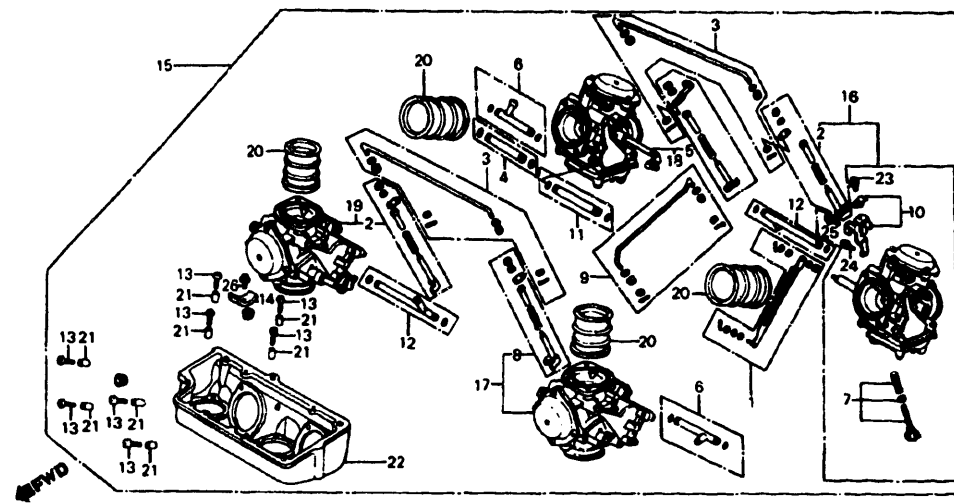
CROSS SHAFT



E14MBOC17

Ref. No.	BLOCK NO. E-17 DESCRIPTION	VF750S		QTY REQ	PART NUMBER	HONDA CODE
		1 9 8 2	1 9 8 3			
		ENGINE SERIAL NUMBER				
		2 3	FROM TO			
28	O-RING, 9.8X7.4	2 3	-----	1	91352-425-003	1216142
	O-RING, 9.8X2.4	2 3	-----	1	91352-526-000	0691345
29	BOLT, FLANGE, 8X65	2 3	-----	1	95700-08065-00	0671230
	BOLT, FLANGE, 8X65	2 3	-----	1	95701-08065-00	2529113
30	BOLT, FLANGE, 6X28	2 3	-----	2	96000-06028-00	0799072
	BOLT, FLANGE, 6X28	2 3	-----	2	96001-06028-00	2106003

CARBURETOR (ASSY.LINK)



E14MBOC18

Ref. No.	BLOCK NO. E-18 DESCRIPTION	VF750S		QTY REQ	PART NUMBER	HONDA CODE
		1 9 8 2	1 9 8 3			
		ENGINE SERIAL NUMBER				
		2 3	FROM TO			
1	LEVER SET A, LINK	2 3	-----	1	16017-MB0-671	1241785
2	LINK SET A, STARTER	2 3	-----	2	16018-MB0-671	1241793
	LINK SET A, STARTER	2 3	-----	2	16018-MK3-771	2536555
3	ROD SET A, STARTER LINK	2 3	-----	2	16019-MB0-671	1241801
4	JOINT SET C, FUEL	-- 3	-----	1	16022-MB1-771	1313964
5	LINK SET B, STARTER	2 3	-----	1	16025-MB0-671	1241819
	LINK SET B, STARTER	2 3	-----	1	16025-MK3-771	2536563
6	JOINT SET A, FUEL	2 --	-----	2	16026-MB0-671	1241827
		-- 3	-----	1	16026-MB0-671	1241827
7	SCREW SET (B)	2 3	-----	1	16028-KR3-671	2039949
	SCREW SET (B)	2 3	-----	1	16028-MB0-671	1241835
8	LINK SET C, STARTER	2 3	-----	1	16031-MB0-671	1241850
9	ROD SET B, STARTER LINK	2 3	-----	1	16032-MB0-671	1241868
10	PLATE SET, STAY	2 3	-----	1	16035-MB0-671	1241876
11	JOINT SET D, FUEL	-- 3	-----	1	16042-MB1-771	1313972
12	JOINT SET B, FUEL	2 --	-----	2	16047-MB0-671	1241900

CONTENTS

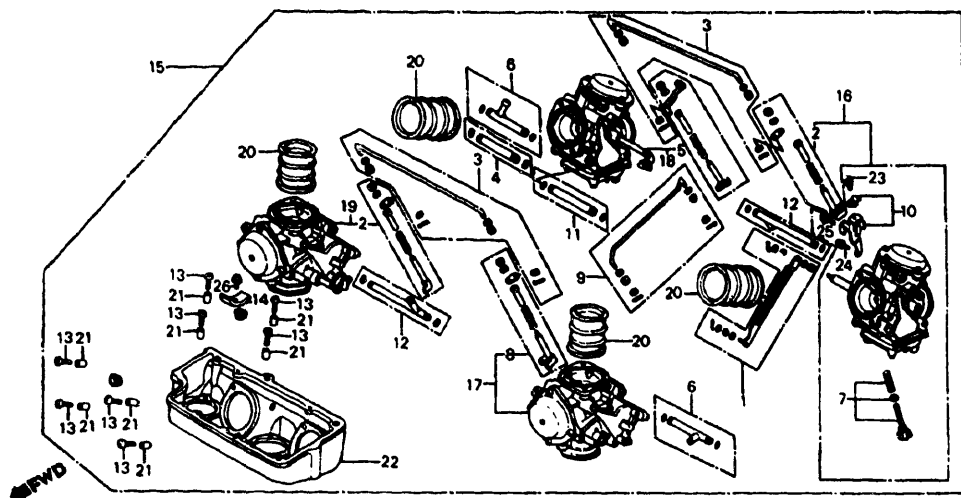
TITLE	PAGE	GRID
ALTERNATOR	26	C1
CAM CHAIN	14	B7
CAMSHAFT	10	B5
CARBURETOR (ASSY.LINK)	59	D5
CARBURETOR (COMP. PARTS)	62	D7
CLUTCH B2	19	B9
CLUTCH B3	22	B11
COVER, RR	28	C2
CRANKCASE COVER, R	17	B8
CRANKSHAFT	38	C7
CROSS SHAFT	55	D5
CYLINDER BLOCK	34	C5
CYLINDER HEAD (FRONT)	3	B1
CYLINDER HEAD (REAR)	7	B3
CYLINDER HEAD COVER	2	B1
GASKET KIT A	64	D8
GASKET KIT B	65	D8
GEARSHIFT DRUM	50	D1
OIL FILTER	31	C3
OIL PAN	31	C3
OIL PUMP	31	C3
PISTON	38	C7
PULSER	24	B12
STARTER CLUTCH	24	B12
STARTER MOTOR	30	C3
TENSIONER	14	B7
THERMOSTAT	52	D2
TRANSMISSION	48	C12
VALVE	10	B5
WATER PIPE	52	D2
WATER PUMP	28	C2

GRID

D5

VF750S'82 ENGINE NO.; RC07E-2000066 TO 2015996
 VF750S'82 FRAME NO.; RC070-CM000036 TO CM012083
 VF750S'83 ENGINE NO.; RC07E-2100018 TO 2115544
 VF750S'83 FRAME NO.; RC070-DM100006 TO DM108632

CARBURETOR (ASSY.LINK)



E14MB0C18

Ref. No.	BLOCK NO. E-18 DESCRIPTION	VF750S		ENGINE SERIAL NUMBER FROM TO	QTY REQ	PART NUMBER	HONDA CODE
		1 9 8 8 2 3	1 9 8 8 2 3				
	2 = VF750S'82 3 = VF750S'83						
12	JOINT SET B, FUEL	2	3	-----	2	16047-MB0-771	1384965
13	SCREW, PAN	2	3	-----	8	16080-MB0-671	1241959
14	PLATE, SETTING	2	3	-----	1	16094-MB0-671	1241967
15	CARBURETOR ASSY.	2	--	-----	1	16100-MB0-671	1241975
	CARBURETOR ASSY.	2	--	-----	1	16100-MB0-672	2491686
	CARBURETOR ASSY.	--	3	-----	1	16100-MB0-771	1307636
16	CARBURETOR ASSY. 1	2	--	-----	1	16101-MB0-671	1241983
	CARBURETOR ASSY. 1	--	3	-----	1	16101-MB0-771	1317023
17	CARBURETOR ASSY. 2	2	--	-----	1	16102-MB0-671	1241991
	CARBURETOR ASSY. 2	--	3	-----	1	16102-MB0-771	1318989
18	CARBURETOR ASSY. 3	2	--	-----	1	16103-MB0-671	1242007
	CARBURETOR ASSY. 3	--	3	-----	1	16103-MB0-771	1317049
19	CARBURETOR ASSY. 4	2	--	-----	1	16104-MB0-671	1242015
	CARBURETOR ASSY. 4	--	3	-----	1	16104-MB0-771	1317056
20	FUNNEL, AIR	2	--	-----	4	16141-MB0-671	1242056
	FUNNEL, AIR	2	3	-----	4	16141-MB0-672	1317064

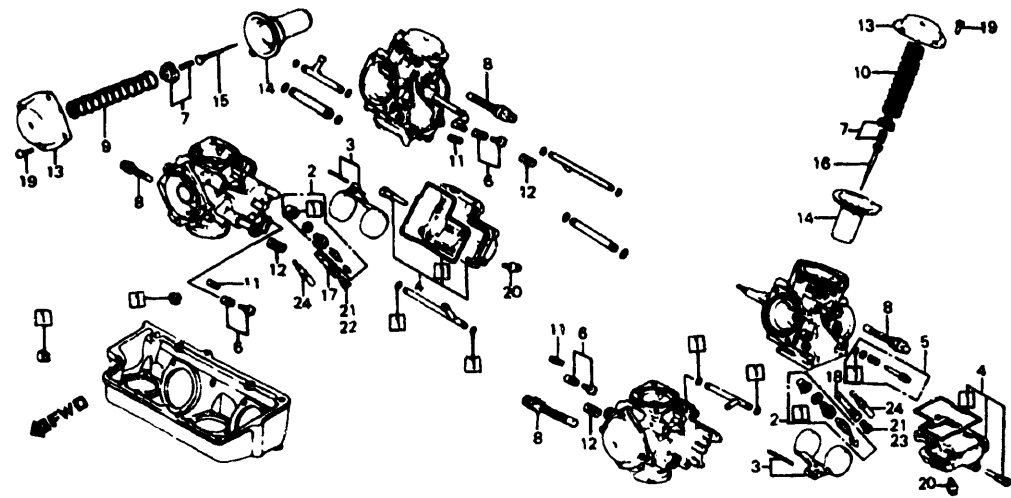
VF750S'82 ENGINE NO.; RC07E-2000066 TO 2015996
 VF750S'82 FRAME NO.; RC070-CM000036 TO CM012083
 VF750S'83 ENGINE NO.; RC07E-2100018 TO 2115544
 VF750S'83 FRAME NO.; RC070-DM100006 TO DM108632

Ref. No.	BLOCK NO. E-18 DESCRIPTION	VF750S		ENGINE SERIAL NUMBER FROM TO	QTY REQ	PART NUMBER	HONDA CODE
		1 9 8 8 2 3	1 9 8 8 2 3				
	2 = VF750S'82 3 = VF750S'83						
21	PIN, KNOCK	2	3	-----	8	16178-MB0-671	1244177
22	BASE, AIR CLEANER	2	--	-----	1	16188-MB0-671	1242098
	BASE, AIR CLEANER	2	--	-----	1	16188-MB0-672	3965563
	BASE, AIR CLEANER	--	3	-----	1	16188-MB0-771	1317072
23	SCREW-WASHER, 4X10	2	3	-----	1	93892-04010-00	0962985
24	SCREW-WASHER, 4X12	2	3	-----	1	93892-04014-00	0692046
25	SCREW-WASHER, 5X8	2	3	-----	1	93892-05008-08	0791335
26	SCREW-WASHER, 5X12	2	3	-----	1	93892-05012-00	0691808

CONTENTS

TITLE	PAGE	GRID
ALTERNATOR	26	C1
CAM CHAIN	14	B7
CAMSHAFT	10	B5
CARBURETOR (ASSY LINK)	59	D5
CARBURETOR (COMP PARTS)	62	D7
CLUTCH B2	19	B9
CLUTCH B3	22	B11
COVER RR	28	C2
CRANKCASE COVER R	17	B8
CRANKSHAFT	38	C7
CROSS SHAFT	55	D3
CYLINDER BLOCK	34	C5
CYLINDER HEAD (FRONT)	3	B1
CYLINDER HEAD (REAR)	7	B3
CYLINDER HEAD COVER	2	B1
GASKET KIT A	64	D8
GASKET KIT B	65	D8
GEARSHIFT DRUM	50	D1
OIL FILTER	31	C3
OIL PAN	31	C3
OIL PUMP	31	C3
PISTON	38	C7
PULSER	24	B12
STARTER CLUTCH	24	B12
STARTER MOTOR	30	C3
TENSIONER	14	B7
THERMOSTAT	52	D2
TRANSMISSION	48	C12
VALVE	10	B5
WATER PIPE	52	D2
WATER PUMP	28	C2

CARBURETOR (COMP. PARTS)



E14MBOC1801

Ref. No.	BLOCK NO. E-18-1 DESCRIPTION	VF750S		QTY REQ	PART NUMBER	HONDA CODE
		1	2			
	2 = VF750S'82 3 = VF750S'83	1	2			
		9	8			
		8	2			
		2	3			
1	GASKET SET	2	3	4	16010-MB0-671	1241736
	GASKET SET	2	3	4	16010-MB0-871	3516416
2	VALVE SET, FLOAT	2	3	4	16011-MB0-671	1241744
	VALVE SET, FLOAT	2	3	4	16011-MR6-671	2825776
3	FLOAT SET	2	3	4	16013-MB0-671	1241751
4	CHAMBER SET, FLOAT	2	3	4	16015-MB0-671	1241769
5	SCREW SET A	2	3	4	16016-MB0-671	1241777
	SCREW SET A	2	3	4	16016-ME3-003	4084067
6	SCREW SET C	2	3	3	16029-MB0-671	1241843
7	PLATE SET, VALVE	2	3	4	16037-MB0-671	1241884
8	VALVE SET, STARTER	2	3	4	16046-MA6-003	1241892
9	SPRING, FR. VACUUM PISTON	2	3	2	16050-MB0-671	1241918
10	SPRING, RR. VACUUM PISTON	2	3	2	16051-MB0-671	1241926
11	SPRING	2	3	3	16052-MB0-671	1241934
12	SPRING	2	3	3	16053-MB0-671	1241942
13	TOP COMP.	2	3	4	16107-MB0-671	1242023

Ref. No.	BLOCK NO. E-18-1 DESCRIPTION	VF750S		QTY REQ	PART NUMBER	HONDA CODE
		1	2			
	2 = VF750S'82 3 = VF750S'83	1	2			
		9	8			
		8	2			
		2	3			
13	TOP COMP.	2	3	4	16108-ME5-671	1365378
14	PISTON COMP., VACUUM	2	--	4	16111-MB0-671	1242031
	PISTON COMP., VACUUM	--	3	4	16111-MB1-771	1314038
15	NEEDLE, FR. JET	2	--	2	16131-MB0-671	1242049
	NEEDLE, FR. JET	--	3	2	16131-MB0-771	1317080
16	NEEDLE, RR. JET	2	--	2	16151-MB0-671	1242064
	NEEDLE, RR. JET	--	3	2	16151-MB0-771	1317098
17	HOLDER, FR. JET NEEDLE	2	--	2	16165-MB0-671	1242072
	HOLDER, NEEDLE JET	--	3	2	16165-MB0-771	1318997
18	HOLDER, RR. JET NEEDLE	2	3	2	16167-MB0-671	1242080
19	SCREW, PAN, 4X10	2	3	16	93500-04010-0A	0188359
20	SCREW-WASHER, 4X12	2	3	16	93892-04014-00	0692046
21	JET, MAIN, # 132	2	--	4	99101-393-1320	0934323
22	JET, MAIN, # 135	--	3	2	99101-393-1350	0934331
23	JET, MAIN, # 138	--	3	2	99101-393-1380	0934349
	JET, SECONDARY MAIN, # 128	--	3	2	99102-393-1280	1237478
	JET, SECONDARY MAIN, # 138	--	3	2	99102-393-1380	1194356
24	JET, SLOW, # 38	2	--	4	99103-437-0380	1244029
	JET, SLOW, # 40	--	3	4	99103-437-0400	1317106

CONTENTS

TITLE	PAGE	GRID
ALTERNATOR	26	C1
CAM CHAIN	14	B7
CAMSHAFT	10	B5
CARBURETOR (ASSY.LINK)	59	D5
CARBURETOR (COMP PARTS)	62	D7
CLUTCH B2	19	B9
CLUTCH B3	22	B11
COVER, RR	28	C2
CRANKCASE COVER, R	17	B8
CRANKSHAFT	38	C7
CROSS SHAFT	55	D3
CYLINDER BLOCK	34	C5
CYLINDER HEAD (FRONT)	3	B1
CYLINDER HEAD (REAR)	7	B3
CYLINDER HEAD COVER	2	B1
GASKET KIT A	64	D8
GASKET KIT B	65	D8
GEARSHIFT DRUM	50	D1
OIL FILTER	31	C3
OIL PAN	31	C3
OIL PUMP	31	C3
PISTON	38	C7
PULSER	24	B12
STARTER CLUTCH	24	B12
STARTER MOTOR	30	C3
TENSIONER	14	B7
THERMOSTAT	52	D2
TRANSMISSION	48	C12
VALVE	10	B5
WATER PIPE	52	D2
WATER PUMP	28	C2

VF750S'82 ENGINE NO.; RC07E-2000066 TO 2015996
 VF750S'82 FRAME NO.; RC070-CM000036 TO CM012083
 VF750S'83 ENGINE NO.; RC07E-2100018 TO 2115544
 VF750S'83 FRAME NO.; RC070-DM100006 TO DM108632

GASKET KIT A

GASKET KIT B

CONTENTS

NOILL

Ref. No.	BLOCK NO. EOP-1 DESCRIPTION	VF750S		ENGINE SERIAL NUMBER FROM TO	QTY REQ	PART NUMBER	HONDA CODE
		1 9 8 2	1 9 8 3				
	2 = VF750S'82 3 = VF750S'83						
1	SEAL, VALVE STEM	2	3	-----	16	12209-422-005	0688887
2	GASKET, CYLINDER HEAD	2	3	-----	2	12251-MB0-003	1240977
3	GASKET, HEAD COVER	2	3	-----	3	12391-MB0-000	1241017
	GASKET, HEAD COVER	2	3	-----	3	12391-MB0-010	2094035
4	GASKET A, EX. PIPE	2	3	-----	4	18291-216-000	0028241
5	WASHER, OIL BOLT	2	3	-----	6	90545-300-000	0189902
6	O-RING, 21.6X2	2	--	-----	8	91310-MB0-003	1251560
	O-RING, 21.5X2	2	3	-----	8	91310-KE8-003	1425602

NOILL

Ref. No.	BLOCK NO. EOP-2 DESCRIPTION	VF750S		ENGINE SERIAL NUMBER FROM TO	QTY REQ	PART NUMBER	HONDA CODE
		1 9 8 2	1 9 8 3				
	2 = VF750S'82 3 = VF750S'83						
1	GASKET, OIL PAN	2	--	-----	1	11315-MB0-000	1240795
	GASKET, OIL PAN	--	3	----- 2115140	1	11315-MB0-000	1240795
	GASKET, OIL PAN	2	3	-----	1	11315-MB0-010	1441724
	GASKET, OIL PAN	--	3	----- 2115140	1	11315-MB0-010	1441724
2	GASKET, R. COVER	2	3	-----	1	11394-MB0-000	1240860
3	GASKET, ALTERNATOR COVER	2	3	-----	1	11636-MB0-000	1240886
4	GASKET, INDICATOR SWITCH COVER ..	2	3	-----	1	11642-MB0-000	1240902
5	GASKET, SIDE GEAR CASE	--	3	-----	1	21291-MB0-770	1290758
6	GASKET, SIDE GEAR CASE (0.3)	2	--	-----	1	21293-MB0-000	1242320
7	GASKET, SIDE GEAR CASE (0.4)	2	--	-----	1	21294-MB0-000	1242338
8	GASKET, SIDE GEAR CASE	2	--	-----	1	21291-MB0-770	1290758
	GASKET, SIDE GEAR CASE (0.5)	2	--	-----	1	21295-MB0-000	1242346
9	GASKET, SIDE GEAR CASE (0.6)	2	--	-----	1	21296-MB0-000	1242353
10	GASKET, SIDE GEAR CASE (0.7)	2	--	-----	1	21297-MB0-000	1242361
11	GASKET, SIDE GEAR CASE (0.8)	2	--	-----	1	21298-MB0-000	1242379
12	INSULATOR, CLUTCH SLAVE CYLINDER	2	--	-----	1	22862-MB0-000	1242619

TITLE	PAGE	GRID
ALTERNATOR	26	C1
CAM CHAIN	14	B7
CAMSHAFT	10	B5
CARBURETOR (ASSY.LINK)	59	D5
CARBURETOR (COMP PARTS)	62	D7
CLUTCH B2	19	B9
CLUTCH B3	22	B11
COVER, RR.	28	C2
CRANKCASE COVER R	17	B8
CRANKSHAFT	38	C7
CROSS SHAFT	55	D3
CYLINDER BLOCK	34	C5
CYLINDER HEAD (FRONT)	3	B1
CYLINDER HEAD (REAR)	7	B3
CYLINDER HEAD COVER	2	B1
GASKET KIT A	64	D8
GASKET KIT B	65	D8
GEARSHIFT DRUM	50	D1
OIL FILTER	31	C3
OIL PAN	31	C3
OIL PUMP	31	C3
PISTON	38	C7
PULSER	24	B12
STARTER CLUTCH	24	B12
STARTER MOTOR	30	C3
TENSIONER	14	B7
THERMOSTAT	52	D2
TRANSMISSION	48	C12
VALVE	10	B5
WATER PIPE	52	D2
WATER PUMP	28	C2

VF750S'82 ENGINE NO.; RC07E-2000066 TO 2015996
 VF750S'82 FRAME NO.; RC070-CM000036 TO CM012083
 VF750S'83 ENGINE NO.; RC07E-2100018 TO 2115544
 VF750S'83 FRAME NO.; RC070-DM100006 TO DM108632

GASKET KIT B

2 = VF750S'82 3 = VF750S'83		VF750S		QTY	PART NUMBER	HONDA CODE
Ref. No.	BLOCK NO. EOP-2 DESCRIPTION	1 9 8 2	1 9 8 3			
12	INSULATOR, CLUTCH SLAVE CYLINDER	--	3	1	22862-MB0-770	1291202
13	WASHER, 11MM	2	3	1	90425-300-000	0189795
14	GASKET, CONNECTING CAP	2	3	2	91301-MB0-000	1243880
15	O-RING, 18.3X2.3 (ARAI)	2	3	2	91301-147-023	1005453
16	O-RING, 22X3.0	2	3	1	91301-250-000	0035287
	O-RING, 22X3.0	2	3	1	91307-425-003	1216126
17	O-RING, 32.95X2.62	2	--	1	91302-MB0-003	1260819
	O-RING, 32.95X2.62 (ARAI)	2	3	1	91302-MB0-013	1435114
18	O-RING, 58X2	2	3	1	91307-MB0-003	1260827
19	O-RING, 5.7X2.2 (ARAI)	2	3	1	91308-MB0-003	1260835
20	O-RING, 14.6X3.7 (ARAI)	2	3	1	91309-MB0-003	1260843
21	O-RING, 18.5X2.4 (ARAI)	2	3	1	91311-MB0-003	1260850
22	O-RING, 14.7X2.2 (ARAI)	2	3	1	91313-MB0-003	1260868
	O-RING, 14.8X2.2	2	3	1	91313-MG7-004	3353620
23	O-RING, 18X2.8	2	3	1	91314-MB0-003	1260876
24	O-RING, 3X70	2	3	1	91314-MJ0-000	1690767

NOILL

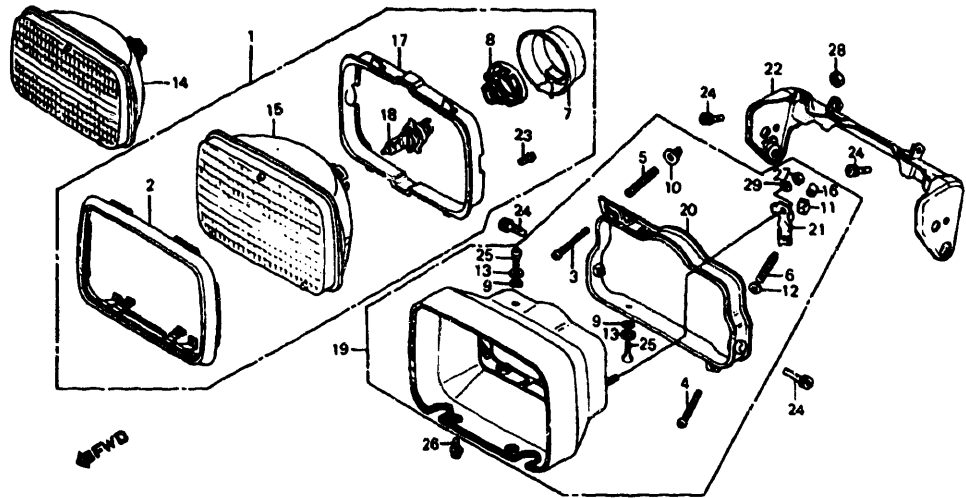
2 = VF750S'82 3 = VF750S'83		VF750S		QTY	PART NUMBER	HONDA CODE
Ref. No.	BLOCK NO. EOP-2 DESCRIPTION	1 9 8 2	1 9 8 3			
24	O-RING, 70X3	2	3	1	91314-300-000	0483826
25	SEAL, WATER PIPE	2	--	1	91302-415-003	1272079
		--	3	1	91302-415-003	1272079
	SEAL, WATER PIPE	2	--	1	91302-415-003	1272079
		--	3	1	91315-MB0-003	1260884
	SEAL, WATER PIPE	2	--	1	91315-MB0-003	1260884
		--	3	1	91315-MB0-013	1435239
26	O-RING, 13.8X2.5	2	--	1	91303-MG7-003	2995447
	O-RING, 13.8X2.5	2	--	1	91303-377-000	0499525
	O-RING, 13.8X2.5	2	--	1	91303-426-000	1113372
	SEAL A, WATER PIPE	2	--	1	91335-MB0-003	1260892
	O-RING, 13X2.5	2	--	1	91335-567-000	0422428
		2	--	1	91335-567-000	0422428
		--	3	1	91335-567-000	0422428
27	O-RING, 9.8X2.4	2	3	1	91305-422-000	0688986
	O-RING, 9.8X7.4	2	3	1	91352-425-003	1216142
	O-RING, 9.8X2.4	2	3	1	91352-526-000	0691345
28	WASHER, DRAIN PLUG, 12MM	2	3	1	94109-12000	0171868

CONTENTS

TITLE	PAGE	GRID
ALTERNATOR	26	C1
CAM CHAIN	14	B7
CAMSHAFT	10	B5
CARBURETOR (ASSY LINK)	59	D5
CARBURETOR (COMP. PARTS)	62	D7
CLUTCH B2	19	B9
CLUTCH B3	22	B11
COVER, RR	28	C2
CRANKCASE COVER, R	17	B8
CRANKSHAFT	38	C7
CROSS SHAFT	55	D3
CYLINDER BLOCK	34	C5
CYLINDER HEAD (FRONT)	3	B1
CYLINDER HEAD (REAR)	7	B3
CYLINDER HEAD COVER	2	B1
GASKET KIT A	64	D8
GASKET KIT B	65	D8
GEARSHIFT DRUM	50	D1
OIL FILTER	31	C3
OIL PAN	31	C3
OIL PUMP	31	C3
PISTON	38	C7
PULSER	24	B12
STARTER CLUTCH	24	B12
STARTER MOTOR	30	C3
TENSIONER	14	B7
THERMOSTAT	52	D2
TRANSMISSION	48	C12
VALVE	10	B5
WATER PIPE	52	D2
WATER PUMP	28	C2

VF750S'82 ENGINE NO.; RC07E-2000066 TO 2015996
 VF750S'82 FRAME NO.; RC070-CM000036 TO CM012083
 VF750S'83 ENGINE NO.; RC07E-2100018 TO 2115544
 VF750S'83 FRAME NO.; RC070-DM100006 TO DM108632

HEADLIGHT



F14MB0C01

Ref. No.	BLOCK NO. DESCRIPTION	VF750S		FRAME SERIAL NUMBER	QTY	PART NUMBER	HONDA CODE
		1 9 8 2	1 9 8 3				
	2 = VF750S'82 3 = VF750S'83						
1	HEADLIGHT ASSY. (12V 65/45W)	2	--	----	1	33100-MB0-671	1243195
	HEADLIGHT ASSY. (12V 60/55W)	2	3	----	1	33100-MB0-771	1377316
2	RIM, HEADLIGHT	2	--	----	1	33101-MB0-003	1260363
	RIM, HEADLIGHT	--	3	----	1	33101-MB0-701	1377324
3	SCREW, BEAM ADJUSTING	2	3	----	1	33103-MB0-003	1243211
4	SCREW, BEAM ADJUSTING	2	3	----	1	33104-MB0-003	1243229
5	SPRING, BEAM ADJUSTING	2	3	----	1	33107-MB0-003	1243237
6	SPRING, BEAM ADJUSTING	2	3	----	1	33108-MB0-003	1243245
7	COVER, RUBBER	2	--	----	1	33112-692-671	1128024
	COVER, RUBBER	--	3	----	1	33112-MM9-013	3338795
	COVER, RUBBER	--	3	----	1	33180-MC5-003	1305960
8	HOLDER COMP., HEADLIGHT BULB	--	3	----	1	33114-MC5-003	1305895
9	RUBBER, GASKET	2	3	----	2	33115-MB0-003	1243252
10	NUT, BEAM ADJUSTING	2	3	----	1	33116-MB0-003	1243260
11	NUT, BEAM ADJUSTING	2	3	----	1	33117-MB0-003	1243278
12	WASHER, BEAM ADJUSTING	2	3	----	1	33118-MB0-003	1243286

68 © AMERICAN HONDA MOTOR CO. LTD. 1993

E1

VF750S'82 ENGINE NO.; RC07E-2000066 TO 2015996
 VF750S'82 FRAME NO.; RC070-CM000036 TO CM012083
 VF750S'83 ENGINE NO.; RC07E-2100018 TO 2115544
 VF750S'83 FRAME NO.; RC070-DM100006 TO DM108632

Ref. No.	BLOCK NO. DESCRIPTION	VF750S		FRAME SERIAL NUMBER	QTY	PART NUMBER	HONDA CODE
		1 9 8 2	1 9 8 3				
	2 = VF750S'82 3 = VF750S'83						
13	WASHER	2	3	----	2	33119-MB0-003	1243294
14	HEADLIGHT UNIT (12V 65/45W)	2	--	----	1	33120-MB0-671	1246339
15	HEADLIGHT UNIT	--	3	----	1	33120-MG5-671	1305903
16	COVER, SCREW	2	--	----	1	33136-426-830	1079664
	COVER, SCREW, 4MM	--	3	----	1	33136-MB0-000	1790021
17	RING, MOUNTING	2	--	----	1	33153-MB0-003	1265404
	RING, MOUNTING	--	3	----	1	33153-MB0-701	1377332
18	BULB, HEADLIGHT (H4 JA12V60/55W)	--	3	----	1	34901-MC7-601	1288612
	BULB, 12V60/55W H4	--	3	----	1	34901-MC7-601AH	3924347
19	CASE ASSY., HEADLIGHT	2	3	----	1	61300-MB0-003	1249994
20	BRACKET, HEADLIGHT	2	3	----	1	61302-MB0-003	1250018
21	STAY, HEADLIGHT	2	3	----	1	61303-MB0-003	1250026
22	STAY COMP., HEADLIGHT	2	3	----	1	61311-MB0-000	1250034
23	SCREW, PAN, 6X16	2	3	----	2	90113-MB0-003	1292291
24	BOLT, SOCKET, 8X16	2	3	----	4	90115-463-000	0881151
25	SCREW, PAN, 3X8	2	3	----	2	93500-03008-0A	0198176
	SCREW, PAN, 3X8	2	3	----	2	93500-03008-1A	0486290
26	SCREW-WASHER, 5X12	2	3	----	2	93893-05012-07	0692665
27	NUT, HEX., 6MM	2	3	----	1	94002-06070	0412379
	NUT, HEX., 6MM	2	3	----	1	94002-06070-0S	1646918
	NUT, HEX., 6MM	2	3	----	1	94002-06270-0S	2909430
28	NUT, HEX., 10MM	2	3	----	1	94002-10070-0S	0939827
29	WASHER, SPRING, 6MM	2	3	----	1	94111-06700	0294249

© AMERICAN HONDA MOTOR CO. LTD. 1993 69

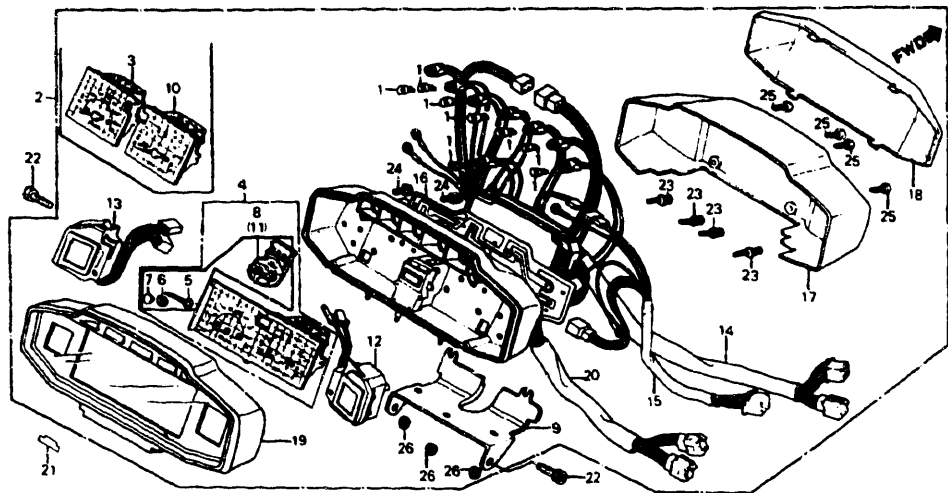
CONTENTS

TITLE	PAGE	GRID
AIR CLEANER 82	113	F11
AIR CLEANER 83	116	G1
BATTERY	111	F10
BRAKE CALIPER, FR.	90	E12
BRAKE MASTER CYL. FR.	74	E4
BRAKE PANEL, RR.	94	F2
BRAKE PEDAL	121	G3
CABLE	72	E3
CLUTCH MASTER CYLINDER	76	E5
CONTROL LEVER	74	E4
ELECTRIC PARTS 83	139	G12
FENDER, FR.	84	E9
FENDER, RR.	132	G9
FINAL DRIVEN GEAR	98	F4
FRAME	146	H4
FUEL TANK	102	F6
GEARSHIFT PEDAL	121	G3
HANDLEBAR	78	E6
HEADLIGHT	68	E1
HORN	82	E8
IGNITION COIL 82	137	G11
INSTRUMENTS	70	E2
MUFFLER	118	G2
RADIATOR	142	H2
SEAT	105	F7
SHOCK ABSORBER, FR.	85	E9
SHOCK ABSORBER, RR.	130	G8
SIDE COVER	108	F9
SPARK UNIT	132	G9
STAND	126	G6
STEERING STEM	82	E8
STEP	124	G5
SWINGARM	128	G7
SWITCH	72	E3
TAILLIGHT	136	G11
TOOLS	149	H5
TOP BRIDGE	78	E6
TURN SIGNAL	134	G10
WHEEL, FR.	92	F1
WHEEL, RR.	96	F3
WIRE HARNESS 82	137	G11
WIRE HARNESS 83	139	G12

GRID

E1

INSTRUMENTS



"CAUTION OR WARNING LABELS MUST BE ORDERED SEPARATELY WHEN APPLICABLE"

F14MB0C02

Ref. No.	BLOCK NO. DESCRIPTION	VF750S		FRAME SERIAL NUMBER	QTY	PART NUMBER	HONDA CODE
		1 9 8 2	1 9 8 3				
2	BULB, WEDGE BASE 12V3W	2	3	---	9	34908-MB0-003	1260611
2	METER ASSY., COMBINATION (MPH)	2	---	---	1	37100-MB0-672	1312271
	METER ASSY., COMBINATION (MPH)	---	3	---	1	37100-MB0-770	1308758
	METER ASSY., COMBINATION (MPH)	---	3	---	1	37100-MB0-772	1303700
3	SPEEDOMETER ASSY. (MPH)	2	---	---	1	37200-MB0-671	1259886
4	METER ASSY., SPEED & TACHO (MPH)	---	3	---	1	37200-MB0-770	1308766
5	POINTER (SEE ASSY.-NOT AVAILABLE)	---	3	---	2	37202-MB0-700	1440353
6	CAP, POINTER (SEE ASSY.-NOT AVAILABLE)	---	3	---	2	37203-MB0-700	1440361
7	NUT COMP., POINTER (SEE ASSY.-NOT AVAILABLE)	---	3	---	2	37204-MB0-700	1440379
	NUT COMP., POINTER	---	3	---	2	37204-MB0-701	1412147
8	MOVEMENT ASSY., SPEEDOMETER	---	3	---	1	37205-MB0-771	1412154
9	STAY, METER SETTING (NIPPON SEIKI)	2	3	---	1	37211-MB0-008	1261064
10	TACHOMETER ASSY.	2	---	---	1	37250-MB0-671	1259894

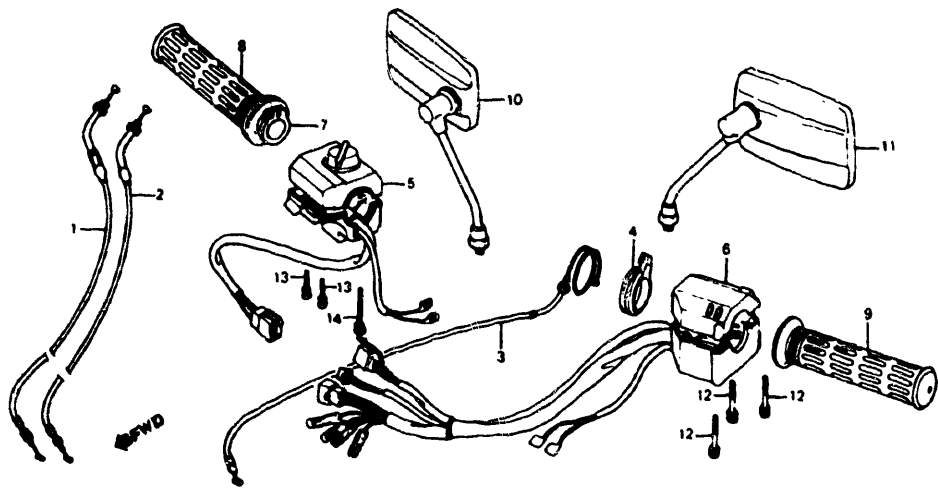
Ref. No.	BLOCK NO. DESCRIPTION	VF750S		FRAME SERIAL NUMBER	QTY	PART NUMBER	HONDA CODE
		1 9 8 2	1 9 8 3				
11	MOVEMENT ASSY., TACHOMETER	---	3	---	1	37255-MB0-700	1440395
12	METER, FUEL & TEMPERATURE (NIPPON SEIKI)	2	3	---	1	37300-MB0-008	1260033
13	METER, CLOCK & TRIP (NIPPON SEIKI)	2	3	---	1	37460-MB0-671	1259910
14	SULKET COMP. A (NIPPON SEIKI)	2	---	---	1	37612-MB0-008	1266113
	SOCKET COMP. A	---	3	---	1	37612-MB0-700	1515139
15	SOCKET COMP. B (NIPPON SEIKI)	2	---	---	1	37613-MB0-671	1266121
	SOCKET COMP. B	---	3	---	1	37613-MB0-770	1316660
16	PANEL, PRINT (NIPPON SEIKI)	2	3	---	1	37615-MB0-008	1266139
17	CASE, RR. (NIPPON SEIKI)	2	3	---	1	37617-MB0-008	1263110
18	COVER, RR. CASE (NIPPON SEIKI)	2	3	---	1	37618-MB0-008	1263128
19	LENS COMP., COMBINATION METER (NIPPON SEIKI)	2	---	---	1	37620-MB0-008	1265446
	LENS COMP., COMBINATION METER	2	3	---	1	37620-MB0-700	1308824
20	WARNING UNIT	2	3	---	1	37651-MB0-672	1292598
21	LABEL, BREAK IN CAUTION	2	3	---	1	87523-102-720	0699041
22	BOLT, SOCKET, 8X16	2	3	---	2	90115-463-000	0881151
23	SCREW-WASHER, 3X10 (NIPPON SEIKI)	2	3	---	16	90191-MB0-008	1266154
24	SCREW-WASHER, 4X12 (NIPPON SEIKI)	2	3	---	4	90192-MB0-008	1266162
25	SCREW, TAPPING, 4X12	2	3	---	4	93901-24380	0460808
26	NUT, HEX., CAP, 5MM	2	3	---	3	94021-05070-0S	0692483

CONTENTS

TITLE	PAGE	GRID
AIR CLEANER 82	113	F11
AIR CLEANER 83	116	G1
BATTERY	111	F10
BRAKE CALIPER, FR.	90	E12
BRAKE MASTER CYL. FR.	74	E4
BRAKE PANEL, RR.	94	F2
BRAKE PEDAL	121	G3
CABLE	72	E3
CLUTCH MASTER CYLINDER	76	E5
CONTROL LEVER	74	E4
ELECTRIC PARTS 83	139	G12
FENDER, FR.	84	E9
FENDER, RR.	132	G9
FINAL DRIVEN GEAR	98	F4
FRAME	146	H4
FUEL TANK	102	F6
GEARSHIFT PEDAL	121	G3
HANDLEBAR	78	E6
HEADLIGHT	68	E1
HORN	82	E8
IGNITION COIL 82	137	G11
INSTRUMENTS	70	E2
MUFFLER	118	G2
RADIATOR	142	H2
SEAT	105	F7
SHOCK ABSORBER, FR.	85	E9
SHOCK ABSORBER, RR.	130	G8
SIDE COVER	108	F9
SPARK UNIT	132	G9
STAND	126	G6
STEERING STEM	82	E8
STEP	124	G5
SWINGARM	128	G7
SWITCH	72	E3
TAILLIGHT	136	G11
TOOLS	149	H5
TOP BRIDGE	78	E6
TURN SIGNAL	134	G10
WHEEL, FR.	82	F1
WHEEL, RR.	96	F3
WIRE HARNESS 82	137	G11
WIRE HARNESS 83	139	G12

VF750S'82 ENGINE NO.; RC07E-2000066 TO 2015996
 VF750S'82 FRAME NO.; RC070-CM000036 TO CM012083
 VF750S'83 ENGINE NO.; RC07E-2100018 TO 2115544
 VF750S'83 FRAME NO.; RC070-DM100006 TO DM108632

SWITCH • CABLE



F14MB0C03

Ref. No.	BLOCK NO. DESCRIPTION	VF750S		FRAME SERIAL NUMBER	QTY REQ	PART NUMBER	HONDA CODE
		1 9 8 2	1 9 8 3				
	2 = VF750S'82 3 = VF750S'83						
1	CABLE COMP. A, THROTTLE	2	--	-----	1	17910-MB0-000	1245083
	CABLE COMP. A, THROTTLE	--	3	-----	1	17910-MB0-700	1515147
2	CABLE COMP. B, THROTTLE	2	--	-----	1	17920-MB0-000	1245109
	CABLE COMP. B, THROTTLE	2	--	-----	1	17920-MB0-760	3965621
	CABLE COMP. B, THROTTLE	2	--	-----	1	17920-MF5-405	4259511
	CABLE COMP. B, THROTTLE	--	3	-----	1	17920-MB0-700	1515154
3	CABLE COMP., CHOKE	2	--	-----	1	17950-MB0-000	1245125
	CABLE COMP., CHOKE	--	3	-----	1	17950-MB0-010	1416304
4	LEVER, CHOKE	2	--	-----	1	17962-MB0-000	1245141
	LEVER, CHOKE	2	--	-----	1	17962-ME8-000	1405794
	LEVER, CHOKE	--	3	-----	1	17962-MB0-010	1510296
5	SWITCH ASSY., STARTER/KILL	2	--	-----	1	35130-MB0-671	1295948
	SWITCH ASSY., STARTER/KILL	--	3	-----	1	35130-MB0-671	1295948
	SWITCH ASSY., STARTER/KILL	2	3	-----	1	35130-MB0-672	1500008
	SWITCH ASSY., STARTER/KILL	--	3	-----	1	35130-MB0-672	1500008
6	SWITCH ASSY., TURN SIGNAL	2	--	-----	1	35200-MB0-671	1316629

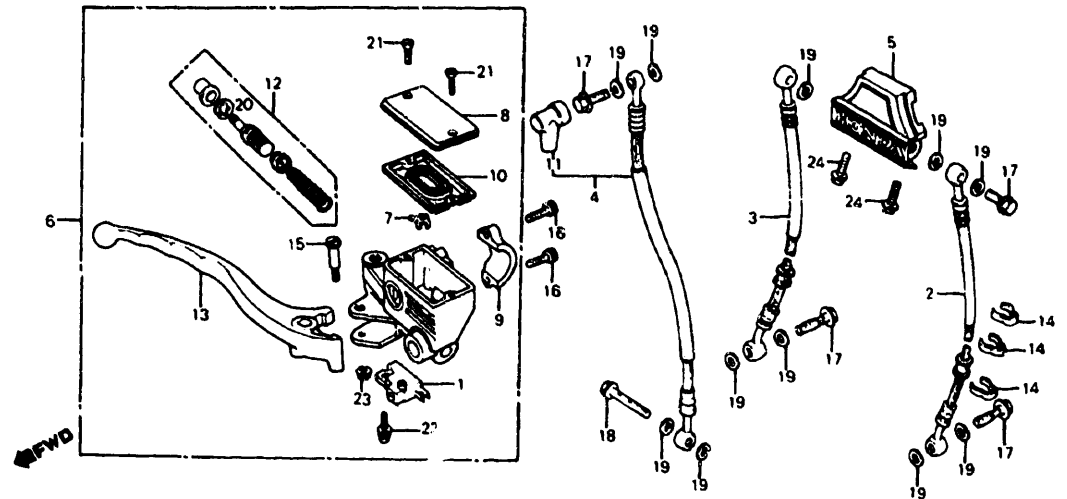
VF750S'82 ENGINE NO.; RC07E-2000066 TO 2015996
 VF750S'82 FRAME NO.; RC070-CM000036 TO CM012083
 VF750S'83 ENGINE NO.; RC07E-2100018 TO 2115544
 VF750S'83 FRAME NO.; RC070-DM100006 TO DM108632

Ref. No.	BLOCK NO. DESCRIPTION	VF750S		FRAME SERIAL NUMBER	QTY REQ	PART NUMBER	HONDA CODE
		1 9 8 2	1 9 8 3				
	2 = VF750S'82 3 = VF750S'83						
6	SWITCH ASSY., TURN SIGNAL	2	--	-----	1	35200-MB0-672	1500818
	SWITCH ASSY., TURN SIGNAL	--	3	-----	1	35200-MB0-770	1316637
7	PIPE, THROTTLE GRIP	2	3	-----	1	53141-300-010	0237586
8	GRIP, R. HANDLEBAR	2	3	-----	1	53165-390-780	0483420
9	GRIP, L. HANDLEBAR	2	3	-----	1	53166-390-780	0483438
10	MIRROR, R.	2	3	-----	1	88110-MB0-003	1250703
11	MIRROR, L.	2	3	-----	1	88120-MB0-003	1250729
12	SCREW-WASHER, 4X50	2	3	-----	3	90892-MB0-000	1251412
13	SCREW-WASHER, 5X16	2	3	-----	2	93891-05016-07	0487017
14	SCREW-WASHER, 5X35	2	3	-----	1	93891-05035-07	0719500
	SCREW-WASHER, 5X35	2	3	-----	1	93891-05035-17	1251750

CONTENTS

TITLE	PAGE	GRID
AIR CLEANER 82	113	F11
AIR CLEANER 83	116	G1
BATTERY	111	F10
BRAKE CALIPER, FR.	90	E12
BRAKE MASTER CYL. FR.	74	E4
BRAKE PANEL, RR.	94	F2
BRAKE PEDAL	121	G3
CABLE	72	E3
CLUTCH MASTER CYLINDER	76	E5
CONTROL LEVER	74	E4
ELECTRIC PARTS 83	139	G12
FENDER, FR.	84	E9
FENDER, RR.	132	G9
FINAL DRIVEN GEAR	98	F4
FRAME	146	H4
FUEL TANK	102	F6
GEARSHIFT PEDAL	121	G3
HANDLEBAR	78	E6
HEADLIGHT	68	E1
HORN	82	E8
IGNITION COIL 82	137	G11
INSTRUMENTS	70	E2
MUFFLER	118	G2
RADIATOR	142	H2
SEAT	105	F7
SHOCK ABSORBER, FR.	85	E9
SHOCK ABSORBER, RR.	130	G8
SIDE COVER	108	F9
SPARK UNIT	132	G9
STAND	126	G6
STEERING STEM	82	E8
STEP	124	G5
SWINGARM	128	G7
SWITCH	72	E3
TAILLIGHT	136	G11
TOOLS	149	H5
TOP BRIDGE	78	E6
TURN SIGNAL	134	G10
WHEEL, FR.	92	F1
WHEEL, RR.	96	F3
WIRE HARNESS 82	137	G11
WIRE HARNESS 83	139	G12

FRONT BRAKE MASTER CYL • CONTROL LEVER



F14MB0C04

Ref. No.	BLOCK NO. DESCRIPTION	VF750S		FRAME SERIAL NUMBER	QTY REQ	PART NUMBER	HONDA CODE
		1 9 8 2	1 9 8 3				
2	SWITCH ASSY., FR. STOP	2	3	-----	1	35340-MA5-671	0952267
	SWITCH ASSY., FR. STOP	2	3	-----	1	35340-ML7-000	2409803
	SWITCH ASSY., FR. STOP	2	3	-----	1	35340-MM5-600	2542421
2	HOSE, L. FR. BRAKE	2	3	-----	1	45124-MB0-003	1248202
	HOSE, L. FR. BRAKE	2	3	DM108332	1	45124-MB0-003	1248202
	HOSE, L. FR. BRAKE	2	3	-----	1	45124-MB0-013	1591395
	HOSE, L. FR. BRAKE	2	3	DM108332	1	45124-MB0-013	1591395
	HOSE, L. FR. BRAKE	2	3	-----	1	45124-MB0-023	2445153
	HOSE, L. FR. BRAKE	2	3	DM108332	1	45124-MB0-023	2445153
3	HOSE, R. FR. BRAKE	2	3	-----	1	45125-MB0-003	1248228
	HOSE, R. FR. BRAKE	2	3	-----	1	45125-MB0-013	4067054
4	HOSE B, FR. BRAKE	2	3	-----	1	45126-MB0-003	1248244
	HOSE B, FR. BRAKE	2	3	-----	1	45126-MB0-013	4094223
	HOSE B, FR. BRAKE	2	3	-----	1	45126-MB0-701	1309079
5	JOINT, TWO WAY	2	3	-----	1	45127-MB0-000	1248269
6	CYLINDER ASSY., FR. BRAKE MASTER	2	3	-----	1	45500-MB0-673	1785658
7	PROTECTOR	2	3	-----	1	45512-MA6-006	1235688

74 © AMERICAN HONDA MOTOR CO. LTD. 1983

E4

VF750S'82 ENGINE NO.; RC07E-2000066 TO 2015996
 VF750S'82 FRAME NO.; RC070-CM00036 TO CM012083
 VF750S'83 ENGINE NO.; RC07E-2100018 TO 2115544
 VF750S'83 FRAME NO.; RC070-DM100006 TO DM108632

Ref. No.	BLOCK NO. DESCRIPTION	VF750S		FRAME SERIAL NUMBER	QTY REQ	PART NUMBER	HONDA CODE
		1 9 8 2	1 9 8 3				
8	CAP	2	3	-----	1	45540-MA6-621	1747146
9	HOLDER, MASTER CYLINDER	2	3	-----	1	45517-MB0-006	1235738
10	DIAPHRAGM	2	3	-----	1	45520-MA5-671	0952358
	DIAPHRAGM	2	3	-----	1	45520-MA5-672	1547256
11	BOOT, MASTER CYLINDER	2	3	-----	1	45522-422-000	0692822
12	CYLINDER SET, MASTER	2	3	-----	1	45530-MA5-671	0952366
13	CONTROL LEVER, R. HANDLEBAR	2	3	-----	1	53175-MB0-006	1236421
14	CLAMP, SPEEDOMETER SENSOR CORD	2	3	-----	3	61108-MB0-000	1249986
15	BOLT, R. CONTROL LEVER PIVOT	2	3	-----	1	90114-MA5-671	0952416
16	BOLT, SOCKET, 6X23	2	3	-----	2	90117-MB0-000	1237072
17	BOLT, OIL, 10X22	2	3	-----	4	90145-MA6-000	1251025
	BOLT, OIL	2	3	-----	4	90145-300-000	0194522
	BOLT, OIL	2	3	-----	4	90145-300-010	1883305
	BOLT, OIL, 10X22	2	3	-----	4	90145-961-000	1085661
18	BOLT, OIL	2	3	-----	1	90145-MB0-000	1251073
	BOLT, OIL, 10X34	2	3	-----	1	90145-MB0-010	1792530
19	WASHER, OIL BOLT	2	3	-----	11	90545-300-000	0189902
20	CIRCLIP	2	3	-----	1	90651-MA5-671	1251404
21	SCREW, FLAT, 4X12	2	3	-----	2	93600-04012-0G	1218601
	SCREW, FLAT, 4X12	2	3	-----	2	93600-04012-1G	1237346
22	SCREW-WASHER, 4X12	2	3	-----	1	93893-04012-08	0677989
	SCREW-WASHER, 4X12	2	3	-----	1	93893-04012-18	0954412
23	NUT, FLANGE, 6MM	2	3	-----	1	94050-06000	0471623
24	BOLT, FLANGE, 6X25	2	3	-----	2	95700-06025-07	0721076
	BOLT, FLANGE, 6X25	2	3	-----	2	95701-06025-07	2449122

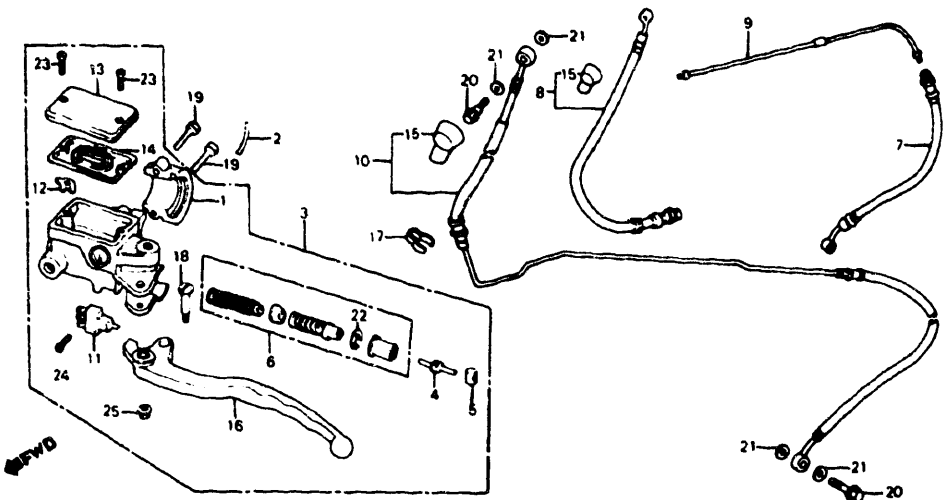
© AMERICAN HONDA MOTOR CO. LTD. 1983 75

CONTENTS

TITLE	PAGE	GRID
AIR CLEANER 82	113	F11
AIR CLEANER 83	116	G1
BATTERY	111	F10
BRAKE CALIPER, FR.	90	E12
BRAKE MASTER CYL. FR.	74	E4
BRAKE PANEL RR	94	F2
BRAKE PEDAL	121	G3
CABLE	72	E3
CLUTCH MASTER CYLINDER	76	E5
CONTROL LEVER	74	E4
ELECTRIC PARTS 83	139	G12
FENDER, FR.	84	E9
FENDER, RR	132	G9
FINAL DRIVEN GEAR	98	F4
FRAME	146	H4
FUEL TANK	102	F6
GEARSHIFT PEDAL	121	G3
HANDLEBAR	78	E6
HEADLIGHT	68	E1
HORN	82	E8
IGNITION COIL 82	137	G11
INSTRUMENTS	70	E2
MUFFLER	118	G2
RADIATOR	142	H2
SEAT	105	F7
SHOCK ABSORBER, FR.	85	E9
SHOCK ABSORBER, RR	130	G8
SIDE COVER	108	F9
SPARK UNIT	132	G9
STAND	126	G6
STEERING STEM	82	E8
STEP	124	G5
SWINGARM	128	G7
SWITCH	72	E3
TAILLIGHT	136	G11
TOOLS	149	H5
TOP BRIDGE	78	E6
TURN SIGNAL	134	G10
WHEEL, FR.	92	F1
WHEEL, RR	96	F3
WIRE HARNESS 82	137	G11
WIRE HARNESS 83	139	G12

GRID **E4**

CLUTCH MASTER CYLINDER



F14MBOC05

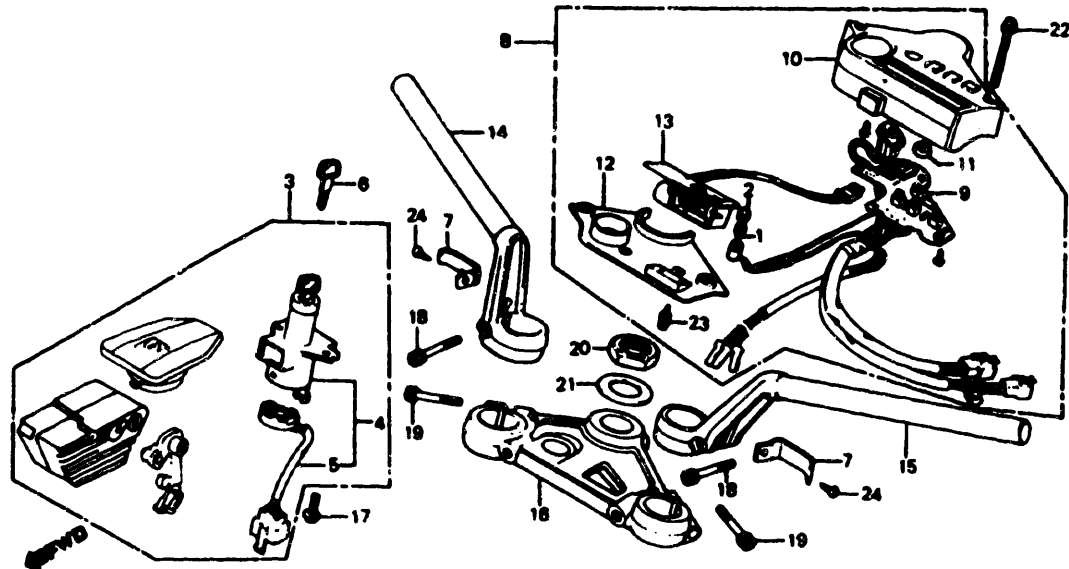
Ref. No.	BLOCK NO. DESCRIPTION	VF750S		FRAME SERIAL NUMBER	QTY REQ	PART NUMBER	HONDA CODE
		2	3				
	2 = VF750S'82 3 = VF750S'83	1	1				
		9	9				
		8	8				
		2	3				
1	HOLDER, CHOKE LEVER	2	--	----	1	17963-MB0-000	1245158
	HOLDER, CHOKE LEVER	2	--	----	1	17963-ME8-000	1405802
	HOLDER, CHOKE LEVER	--	3	----	1	17963-MB0-010	1510304
2	MARK, CHOKE	2	3	----	1	17965-MB0-300	1245166
3	CYLINDER ASSY., CLUTCH MASTER	2	--	----	1	22880-MB0-671	1245703
	CYLINDER ASSY., CLUTCH MASTER	--	3	----	1	22880-MB0-674	1785617
4	ROD, PUSH	2	3	----	1	22884-MB0-006	1245729
5	BUSH	2	3	----	1	22885-MB0-006	1245737
6	PISTON SET, CLUTCH MASTER CYLINDER	2	3	----	1	22886-MB0-305	1245745
7	HOSE, CLUTCH (B)	2	--	----	1	22890-MB0-003	1265511
8	HOSE, CLUTCH (A)	2	--	----	1	22891-MB0-003	1265578
	HOSE A, CLUTCH	2	--	----	1	22891-MB0-013	1853704
9	PIPE, CLUTCH	2	--	----	1	22895-MB0-000	1245794
10	PIPE ASSY., CLUTCH	--	3	----	1	22900-MB0-701	1432970
	PIPE ASSY., CLUTCH	--	3	----	1	22900-MB0-702	3923919

Ref. No.	BLOCK NO. DESCRIPTION	VF750S		FRAME SERIAL NUMBER	QTY REQ	PART NUMBER	HONDA CODE
		2	3				
	2 = VF750S'82 3 = VF750S'83	1	1				
		9	9				
		8	8				
		2	3				
11	SWITCH ASSY., CLUTCH	2	3	----	1	35330-MB0-003	1246859
12	PROTECTOR	--	3	----	1	45512-MA6-006	1235688
13	CAP	2	3	----	1	45540-MA6-621	1747146
14	DIAPHRAGM	2	3	----	1	45520-MA5-671	0952358
	DIAPHRAGM	2	3	----	1	45520-MA5-672	1547256
15	BOOT, MASTER CYLINDER	2	3	----	1	45522-422-000	0692822
16	CONTROL LEVER, L. HANDLEBAR	2	3	----	1	53178-MB0-006	1249820
17	CLAMP, SPEEDOMETER SENSOR CORD	2	3	----	1	61108-MB0-000	1249986
18	BOLT, R. CONTROL LEVER PIVOT	2	3	----	1	90114-MA5-671	0952416
19	BOLT, SOCKET, 6X23	2	3	----	2	90117-MB0-000	1237072
20	BOLT, OIL, 10X22	2	3	----	2	90145-MA6-000	1251065
	BOLT, OIL	2	3	----	2	90145-300-000	0194522
	BOLT, OIL	2	3	----	2	90145-300-010	1883305
	BOLT, OIL, 10X22	2	3	----	2	90145-961-000	1085661
21	WASHER, OIL BOLT	2	3	----	4	90545-300-000	0189902
22	CIRCLIP, INTERNAL, 18MM (NISSIN)	2	3	----	1	90651-377-003	0400572
23	SCREW, FLAT, 4X12	2	3	----	2	93600-04012-06	1218601
	SCREW, FLAT, 4X12	2	3	----	2	93600-04012-16	1237346
24	SCREW-WASHER, 4X12	2	3	----	1	93893-04012-07	1374008
	SCREW-WASHER, 4X12	2	3	----	1	93893-04012-17	1237353
25	NUT, FLANGE, 6MM	2	3	----	1	94050-06000	0471623

CONTENTS	
TITLE	PAGE GRID
AIR CLEANER 82	113 F11
AIR CLEANER 83	116 G1
BATTERY	111 F10
BRAKE CALIPER FR	90 E12
BRAKE MASTER CYL. FR	74 E4
BRAKE PANEL RR	94 F2
BRAKE PEDAL	121 G3
CABLE	72 E3
CLUTCH MASTER CYLINDER	76 E5
CONTROL LEVER	74 E4
ELECTRIC PARTS 83	139 G12
FENDER FR	84 E9
FENDER RR	132 G9
FINAL DRIVEN GEAR	98 F4
FRAME	146 H4
FUEL TANK	102 F6
GEARSHIFT PEDAL	121 G3
HANDLEBAR	78 E6
HEADLIGHT	68 E1
HORN	82 E8
IGNITION COIL 82	137 G11
INSTRUMENTS	70 E2
MUFFLER	118 G2
RADIATOR	142 H2
SEAT	105 F7
SHOCK ABSORBER FR	85 E9
SHOCK ABSORBER RR	130 G8
SIDE COVER	108 F9
SPARK UNIT	132 G9
STAND	126 G6
STEERING STEM	82 E8
STEP	124 G5
SWINGARM	128 G7
SWITCH	72 E3
TAILLIGHT	136 G11
TOOLS	149 H5
TOP BRIDGE	78 E6
TURN SIGNAL	134 G10
WHEEL FR	92 F1
WHEEL RR	96 F3
WIRE HARNESS 82	137 G11
WIRE HARNESS 83	139 G12

VF750S'82 ENGINE NO.; RC07E-2000066 TO 2015996
 VF750S'82 FRAME NO.; RC070-CM000036 TO CM012083
 VF750S'83 ENGINE NO.; RC07E-2100018 TO 2115544
 VF750S'83 FRAME NO.; RC070-DM100006 TO DM108632

HANDLEBAR • TOP BRIDGE



Type	Key No.
TYPE 1	*01 ——— *20
	A** , B**
TYPE 2	*21 ——— *40
	C** , D**

* : 0, 1, 2, 3, 4, 5, 6, 7, 8 or 9

F14MB0C06T

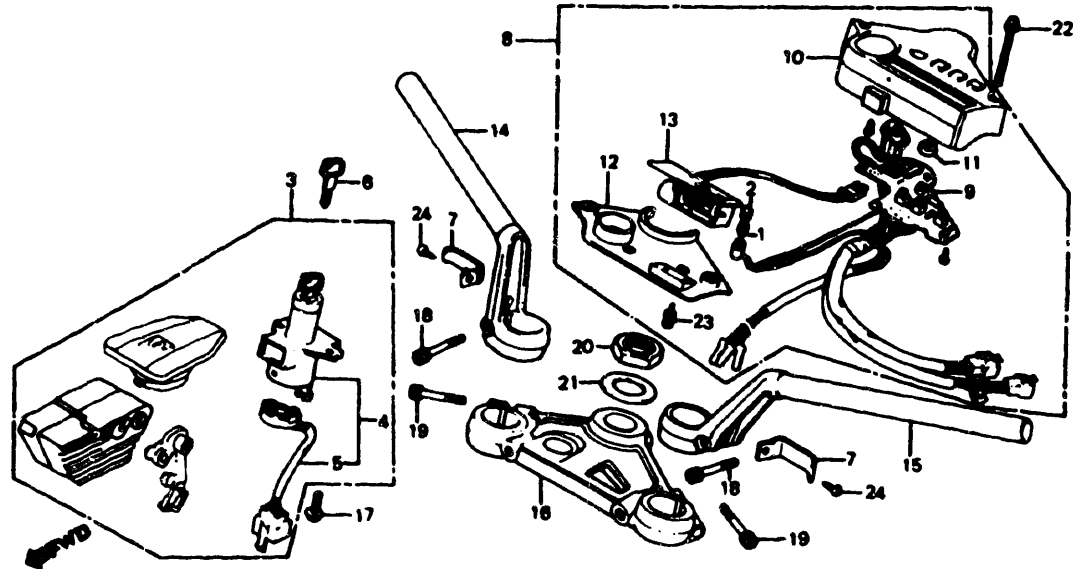
Ref. No.	BLOCK NO. DESCRIPTION	VF750S		FRAME SERIAL NUMBER	QTY REQ	PART NUMBER	HONDA CODE
		2	3				
		1	1				
		9	9				
		8	8				
		2	3				
1	BULB, WEDGE BASE 12V3W	2	3	-----	1	34908-MB0-003	1260611
2	CAP, BULB	2	3	-----	1	34909-MB0-008	1266071
3	KEY SET	2	---	-----	1	35010-MB0-000	1246719
	KEY SET	---	3	-----	1	35010-MB0-700	1440452
4	SWITCH ASSY., COMBINATION & LOCK	2	3	-----	1	35100-MB0-007	1246735
5	BASE COMP., CONTACT	2	3	-----	1	35101-MA6-007	1246743
	BASE COMP., CONTACT	2	3	-----	1	35101-MC5-000	4085486
6	KEY, BLANK (TYPE 1)	2	3	-----	(1)	35121-KW3-771	3029840
	KEY, BLANK (TYPE 1)	2	3	-----	(1)	35121-MA6-811	1246750
	KEY, BLANK (TYPE 2)	2	3	-----	(1)	35122-KW3-771	3029857
	KEY, BLANK (TYPE 2)	2	3	-----	(1)	35122-MA6-811	1246768
7	CLIP, WIRE	2	3	-----	2	35205-MB0-000	1246818
8	ODOMETER ASSY. (MPH)	2	---	-----	1	37210-MB0-671	1265032
	ODOMETER ASSY. (MPH)	---	3	-----	1	37210-MB0-770	1308774
9	CIRCUIT ASSY., PRINT	2	3	-----	1	37212-MB0-671	1266170
10	CASE COMP., ODOMETER	2	---	-----	1	37213-MB0-671	1266188
	CASE COMP., ODOMETER	---	3	-----	1	37213-MB0-770	1433200
11	KNOB, CLOCK SWITCH	2	---	-----	1	37214-MB0-008	1835636
12	PLATE, ODOMETER BASE	2	---	-----	1	37215-MB0-008	1292309
	PLATE, ODOMETER BASE	---	3	-----	1	37215-MB0-700	1515162
13	ODOMETER, TOTAL (MPH)	2	3	-----	1	37216-MB0-671	1266196
14	HANDLEBAR, R.	2	3	-----	1	53100-MB0-670	1249747
15	PIPE, L. HANDLEBAR	2	3	-----	1	53150-MB0-670	1249770
16	BRIDGE, FORK TOP	2	---	-----	1	53230-MB0-000	1249879
	BRIDGE, FORK TOP	---	3	-----	1	53230-MB0-700	1309343
17	BOLT, FLANGE, 8X19	2	3	-----	2	90104-MJ1-000	1735307
	BOLT, FLANGE, 8X19	2	3	-----	2	90105-MA6-000	1250893
18	BOLT, SOCKET, 8X34	2	3	-----	2	90112-MB0-000	1250976
19	BOLT, SOCKET, 7X38	2	3	-----	2	90151-MB0-000	1251081
20	NUT, STEERING STEM	2	3	-----	1	90304-425-000	0719401
21	WASHER, STEERING STEM	2	3	-----	1	90503-425-000	0719443
22	SCREW-WASHER, 5X45	2	3	-----	2	93891-05045-07	0769042

CONTENTS

TITLE	PAGE	GRID
AIR CLEANER 82	113	F11
AIR CLEANER 83	116	G1
BATTERY	111	F10
BRAKE CALIPER FR.	90	E12
BRAKE MASTER CYL FR.	74	E4
BRAKE PANEL RR.	94	F2
BRAKE PEDAL	121	G3
CABLE	72	E3
CLUTCH MASTER CYLINDER	76	E5
CONTROL LEVER	74	E4
ELECTRIC PARTS 83	139	G12
FENDER FR.	84	E9
FENDER RR.	132	G9
FINAL DRIVEN GEAR	98	F4
FRAME	146	H4
FUEL TANK	102	F6
GEARSHIFT PEDAL	121	G3
HANDLEBAR	78	E6
HEADLIGHT	68	E1
HORN	82	E8
IGNITION COIL 82	137	G11
INSTRUMENTS	70	E2
MUFFLER	118	G2
RADIATOR	142	H2
SEAT	105	F7
SHOCK ABSORBER FR.	85	E9
SHOCK ABSORBER RR.	130	G8
SIDE COVER	108	F9
SPARK UNIT	132	G9
STAND	126	G6
STEERING STEM	82	E8
STEP	124	G5
SWINGARM	128	G7
SWITCH	72	E3
TAILLIGHT	136	G11
TOOLS	149	H5
TOP BRIDGE	78	E6
TURN SIGNAL	134	G10
WHEEL FR.	92	F1
WHEEL RR.	96	F3
WIRE HARNESS 82	137	G11
WIRE HARNESS 83	139	G12

VF750S'82 ENGINE NO.; RC07E-2000066 TO 2015996
 VF750S'82 FRAME NO.; RC070-CM000036 TO CM012083
 VF750S'83 ENGINE NO.; RC07E-2100018 TO 2115544
 VF750S'83 FRAME NO.; RC070-DM100006 TO DM108632

HANDLEBAR • TOP BRIDGE



Type	Key No.
TYPE 1	*01 ——— *20
	A** , B**
TYPE 2	*21 ——— *40
	C** , D**

* : 0, 1, 2, 3, 4, 5, 6, 7, 8 or 9

F14MB0C06T

2 = VF750S'82
3 = VF750S'83

Ref. No.	BLOCK NO. DESCRIPTION	VF750S		FRAME SERIAL NUMBER	QTY REQ	PART NUMBER	HONDA CODE
		F-6	F-6				
		1	1				
		9	9				
		8	8				
		2	3				
22	SCREW-WASHER, 5X45	2	3	-----	2	93891-05045-17	1251768
23	SCREW-WASHER, 4X10	2	3	-----	2	93893-04010-00	1292317
24	SCREW, TAPPING, 4X6	2	3	-----	2	93901-34080	1115955

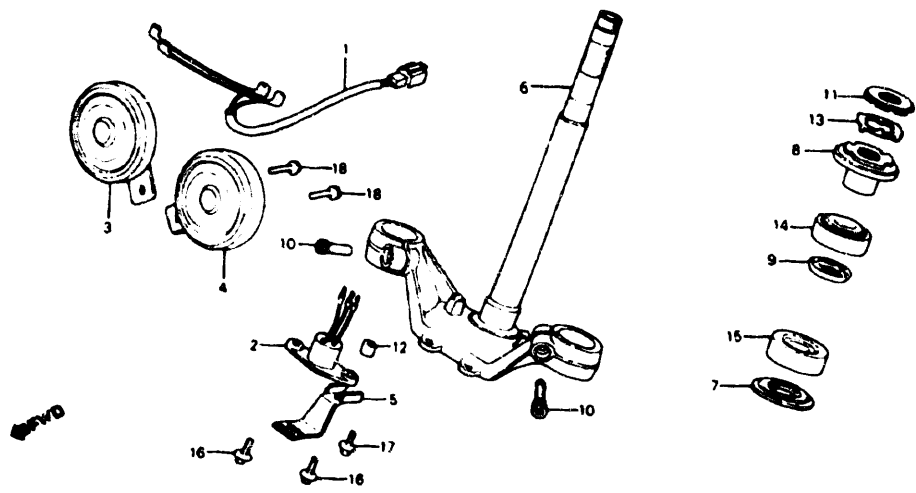
CONTENTS

TITLE	PAGE	GRID
AIR CLEANER 82	113	F11
AIR CLEANER 83	116	G1
BATTERY	111	F10
BRAKE CALIPER FR	90	E12
BRAKE MASTER CYL FR	74	E4
BRAKE PANEL RR	94	F2
BRAKE PEDAL	121	G3
CABLE	72	E3
CLUTCH MASTER CYLINDER	76	E5
CONTROL LEVER	74	E4
ELECTRIC PARTS 83	139	G12
FENDER FR	84	E9
FENDER RR	132	G9
FINAL DRIVEN GEAR	98	F4
FRAME	146	H4
FUEL TANK	102	F6
GEARSHIFT PEDAL	121	G3
HANDLEBAR	78	E6
HEADLIGHT	68	E1
HORN	82	E8
IGNITION COIL 82	137	G11
INSTRUMENTS	70	E2
MUFFLER	118	G2
RADIATOR	142	H2
SEAT	105	F7
SHOCK ABSORBER FR	85	E9
SHOCK ABSORBER RR	130	G8
SIDE COVER	108	F9
SPARK UNIT	132	G9
STAND	126	G6
STEERING STEM	82	E8
STEP	124	G5
SWINGARM	128	G7
SWITCH	72	E3
TAILLIGHT	136	G11
TOOLS	149	H5
TOP BRIDGE	78	E6
TURN SIGNAL	134	G10
WHEEL FR	92	F1
WHEEL RR	96	F3
WIRE HARNESS 82	137	G11
WIRE HARNESS 83	139	G12

GRID

E7

STEERING STEM • HORN



F14MB0C07

Ref. No.	BLOCK NO. F-7 DESCRIPTION	VF750S		QTY REQ	PART NUMBER	HONDA CODE
		1 9 8 2	1 9 8 3			
2	SUB HARNESS, HORN	--	3	1	32106-MB0-000	1246214
	SUB HARNESS, HORN	3		1	32106-MB1-700	1291368
2	SENSOR, ANGLE	2	3	1	35230-MB0-007	1246834
3	HORN ASSY., HIGH	2	3	1	38110-MB0-004	1247279
	HORN ASSY., HIGH	2	3	1	38110-MB0-601	3187895
	HORN ASSY. (HIGH)	2	3	1	38110-MB1-740	3335635
4	HORN ASSY. (LOW)	2	3	1	38120-MB0-004	1247287
	HORN ASSY. (LOW)	2	3	1	38120-MB0-601	3133691
	HORN ASSY. (LOW)	2	3	1	38120-MB1-004	1375583
	HORN ASSY. (LOW)	2	3	1	38120-MB1-700	1294602
	HORN ASSY. (LOW)	2	3	1	38120-MB1-740	1390566
	HORN ASSY. (LOW)	2	3	1	38120-MG1-004	1288760
5	SUPPORT, SENSOR	2	3	1	50108-MB0-000	1248483
6	STEM COMP., STEERING	2	--	1	53200-MB0-000	1249838
	STEM COMP., STEERING	--	3	1	53200-MB0-700	1309335
7	DUST SEAL, STEERING HEAD	2	3	1	53214-371-010	0470948

82 AMERICAN HONDA MOTOR CO. LTD 1983

EB

VF750S'82 ENGINE NO.; RC07E-2000066 TO 2015996
 VF750S'82 FRAME NO.; RC070-CM000036 TO CM012083
 VF750S'83 ENGINE NO.; RC07E-2100018 TO 2115544
 VF750S'83 FRAME NO.; RC070-DM100006 TO DM108632

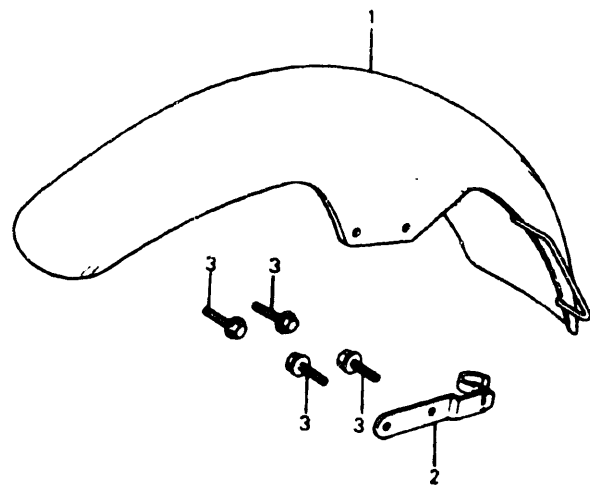
Ref. No.	BLOCK NO. F-7 DESCRIPTION	VF750S		QTY REQ	PART NUMBER	HONDA CODE
		1 9 8 2	1 9 8 3			
8	THREAD COMP., HANDLEBAR TOP	2	--	1	53220-MB0-000	1249853
	THREAD COMP., STEERING HEAD UPPER	--	3	1	53220-422-000	0693101
9	HOLDER, GREASE	2	3	1	53223-371-010	0470955
10	BOLT, SOCKET, 10X30	2	3	2	90152-MB0-000	1251107
11	THREAD, STEERING HEAD TOP (B)	2	3	1	90302-425-830	0823930
12	COLLAR, SENSOR	2	3	1	90315-MB0-000	1251313
13	WASHER, LOCK	2	3	1	90506-425-830	0823948
14	BEARING, HEAD PIPE UPPER (TOYO)	2	3	1	91015-425-831	0823955
	BEARING, HEAD PIPE UPPER (NACHI)	2	3	1	91015-425-832	0923227
15	BEARING, HEAD PIPE LOWER	2	3	1	91016-371-000	0471284
16	SCREW-WASHER, 5X20	2	3	2	93892-05020-17	1251776
17	SCREW-WASHER, 5X16	2	3	1	93894-05016-07	1251784
18	BOLT, FLANGE, 6X12	2	3	2	95700-06012-08	0252254
	BOLT, FLANGE, 6X12	2	3	2	95701-06012-08	2170793

AMERICAN HONDA MOTOR CO. LTD 1983 83

CONTENTS

TITLE	PAGE	GRID
AIR CLEANER 82	113	F11
AIR CLEANER 83	116	G1
BATTERY	111	F10
BRAKE CALIPER, FR.	90	E12
BRAKE MASTER CYL. FR.	74	E4
BRAKE PANEL, RR.	94	F2
BRAKE PEDAL	121	G3
CABLE	72	E3
CLUTCH MASTER CYLINDER	76	E5
CONTROL LEVER	74	E4
ELECTRIC PARTS 83	139	G12
FENDER, FR.	84	E9
FENDER, RR.	132	G9
FINAL DRIVEN GEAR	98	F4
FRAME	146	H4
FUEL TANK	102	F6
GEARSHIFT PEDAL	121	G3
HANDLEBAR	78	E6
HEADLIGHT	68	E1
HORN	82	E8
IGNITION COIL 82	137	G11
INSTRUMENTS	70	E2
MUFFLER	118	G2
RADIATOR	142	H2
SEAT	105	F7
SHOCK ABSORBER, FR.	85	E9
SHOCK ABSORBER, RR.	130	G8
SIDE COVER	108	F9
SPARK UNIT	132	G9
STAND	126	G6
STEERING STEM	82	E8
STEP	124	G5
SWINGARM	128	G7
SWITCH	72	E3
TAILLIGHT	136	G11
TOOLS	149	H5
TOP BRIDGE	78	E6
TURN SIGNAL	134	G10
WHEEL, FR.	92	F1
WHEEL, RR.	96	F3
WIRE HARNESS 82	137	G11
WIRE HARNESS 83	139	G12

FRONT FENDER



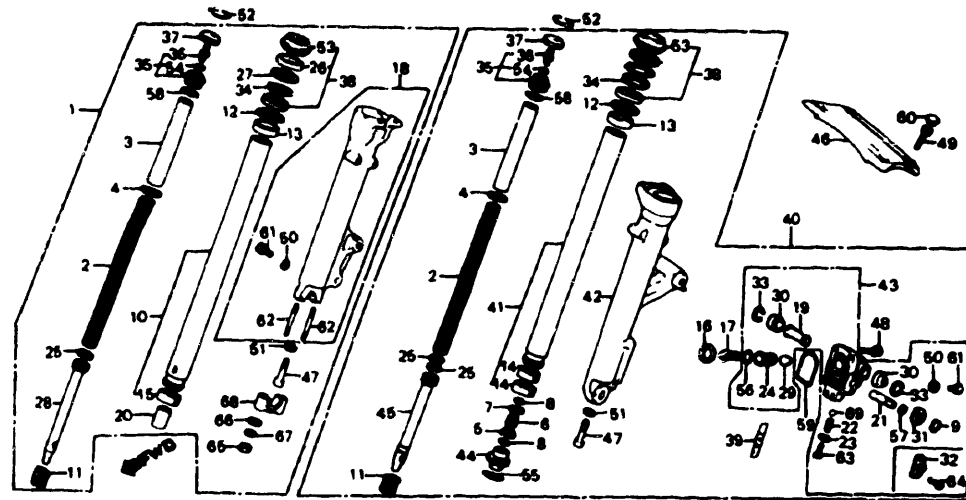
F14MB0C08

Ref. No.	BLOCK NO. DESCRIPTION	VF750S		FRAME SERIAL NUMBER	QTY REQ	PART NUMBER	HONDA CODE
		1 9 8 2	1 9 8 3				
	2 = VF750S'82 3 = VF750S'83						
		2	3	FROM TO			
1	FENDER COMP., FR.	2	3	-----	1	61100-MB0-670	1515170
2	CLAMP, FR. BRAKE HOSE	2	3	-----	1	61109-MB0-000	1266964
3	BOLT, FLANGE, 6X14	2	3	-----	4	95700-06014-08	0840587
	BOLT, FLANGE, 6X14	2	3	-----	4	95701-06014-08	2374742

84 AMERICAN HONDA MOTOR CO. LTD 1983

VF750S'82 ENGINE NO.; RC07E-2000066 TO 2015996
 VF750S'82 FRAME NO.; RC070-CM000036 TO CM012083
 VF750S'83 ENGINE NO.; RC07E-2100018 TO 2115544
 VF750S'83 FRAME NO.; RC070-DM100006 TO DM108632

FRONT SHOCK ABSORBER



F14MB0C09

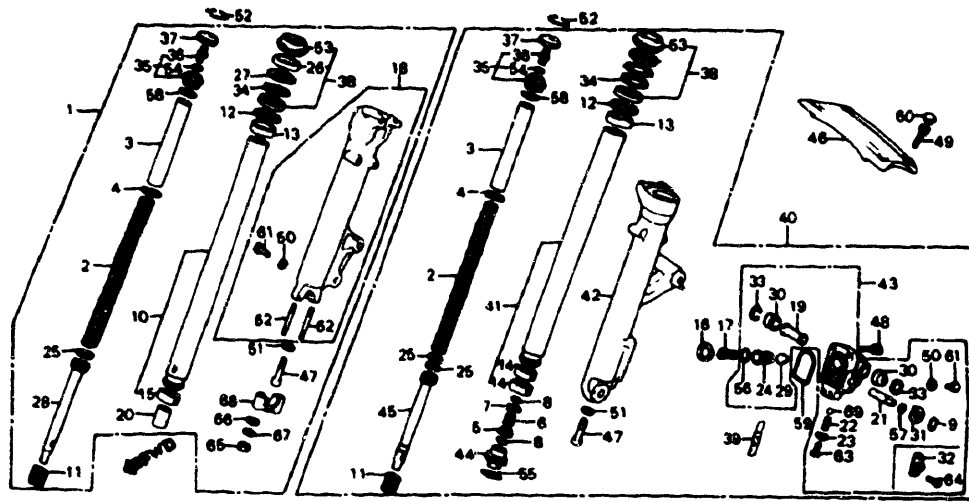
Ref. No.	BLOCK NO. DESCRIPTION	VF750S		FRAME SERIAL NUMBER	QTY REQ	PART NUMBER	HONDA CODE
		1 9 8 2	1 9 8 3				
	2 = VF750S'82 3 = VF750S'83						
		2	3	FROM TO			
1	SHOCK ABSORBER ASSY., R. FR.	2	---	-----	1	51400-MB0-672	2066017
	SHOCK ABSORBER ASSY., R. FR.	---	3	-----	1	51400-MB0-772	2066025
2	SPRING, FR. SHOCK	2	---	-----	2	51401-MB0-003	1249234
	SPRING, FR. SHOCK	---	3	-----	2	51401-MB0-771	1316801
3	COLLAR, SPRING	2	---	-----	2	51402-MA0-771	1093905
	COLLAR, SPRING	---	3	-----	2	51402-MC5-003	1432160
4	SEAT, SPRING	2	3	-----	2	51403-MA0-771	1093913
5	VALVE, OIL LOCK	2	3	-----	1	51403-MA6-003	1212141
6	SPRING, OIL LOCK VALVE	2	3	-----	1	51404-MA6-003	1212158
7	SEAT, SPRING	2	3	-----	1	51405-MA6-003	1249267
8	RING, STOPPER	2	3	-----	2	51405-MC7-003	1212166
9	RING, STOPPER	---	3	-----	1	51406-MB1-771	1291855
10	PIPE COMP., FR. SHOCK	2	---	-----	1	51410-MB0-003	1249275
	PIPE COMP., R. FR. FORK	---	3	-----	1	51410-MB0-771	1316827
11	SPRING, FR. SHOCK REBOUND	2	3	-----	2	51412-ME1-671	1212182
12	RING, BACK UP	2	3	-----	2	51412-461-003	0910844

AMERICAN HONDA MOTOR CO. LTD 1983 85

CONTENTS

TITLE	PAGE	GRID
AIR CLEANER 82	113	F11
AIR CLEANER 83	116	G1
BATTERY	111	F10
BRAKE CALIPER, FR.	90	E12
BRAKE MASTER CYL. FR.	74	E4
BRAKE PANEL, RR.	94	F2
BRAKE PEDAL	121	G3
CABLE	72	E3
CLUTCH MASTER CYLINDER	76	E5
CONTROL LEVER	74	E4
ELECTRIC PARTS 83	139	G12
FENDER, FR.	84	E9
FENDER, RR.	132	G9
FINAL DRIVEN GEAR	98	F4
FRAME	146	H4
FUEL TANK	102	F6
GEARSHIFT PEDAL	121	G3
HANDLEBAR	78	E6
HEADLIGHT	68	E1
HORN	82	E8
IGNITION COIL 82	137	G11
INSTRUMENTS	70	E2
MUFFLER	118	G2
RADIATOR	142	H2
SEAT	105	F7
SHOCK ABSORBER, FR.	85	E9
SHOCK ABSORBER, RR.	130	G8
SIDE COVER	108	F9
SPARK UNIT	132	G9
STAND	126	G6
STEERING STEM	82	E8
STEP	124	G5
SWINGARM	128	G7
SWITCH	72	E3
TAILLIGHT	136	G11
TOOLS	149	H5
TOP BRIDGE	78	E6
TURN SIGNAL	134	G10
WHEEL, FR.	92	F1
WHEEL, RR.	96	F3
WIRE HARNESS 82	137	G11
WIRE HARNESS 83	139	G12

FRONT SHOCK ABSORBER



F14MB0C09

Ref. No.	BLOCK NO. DESCRIPTION	VF750S		QTY REQ	PART NUMBER	HONDA CODE
		1 9 8 2	1 9 8 3			
		2	3			
12	RING, BACK UP	2	3	2	51412-461-305	1038827
13	BUSH, GUIDE	2	3	2	51414-461-003	0918649
14	BUSH, SLIDER	2	3	2	51415-MC5-003	1260678
	BUSH, SLIDER	2	3	2	51415-MC5-013	2248078
15	BUSH, SLIDER	2	3	1	51415-461-003	0918656
16	GASKET, PISTON CASE	2	3	1	51417-ME1-671	1212190
17	SPRING, PISTON	2	3	1	51418-ME1-671	1212208
18	CASE COMP., R. LOWER	2	---	1	51421-MB0-003	1249291
	CASE COMP., R. LOWER	---	3	1	51421-MB0-771	1316835
19	COLLAR, PISTON	2	---	1	51423-MC7-003	1212224
	COLLAR, PISTON	---	3	1	51423-MB1-771	1291871
20	PIECE, OIL LOCK	2	3	1	51432-371-003	0407981
21	ROD, ADJUSTING	2	---	1	51433-MB0-003	1249317
	ROD, ADJUSTING	---	3	1	51433-MB1-771	1291889
22	SPRING, CLICK	2	3	1	51434-MC7-003	1212257
23	WASHER, SPECIAL, 5MM	2	3	1	51435-MC7-003	1217413

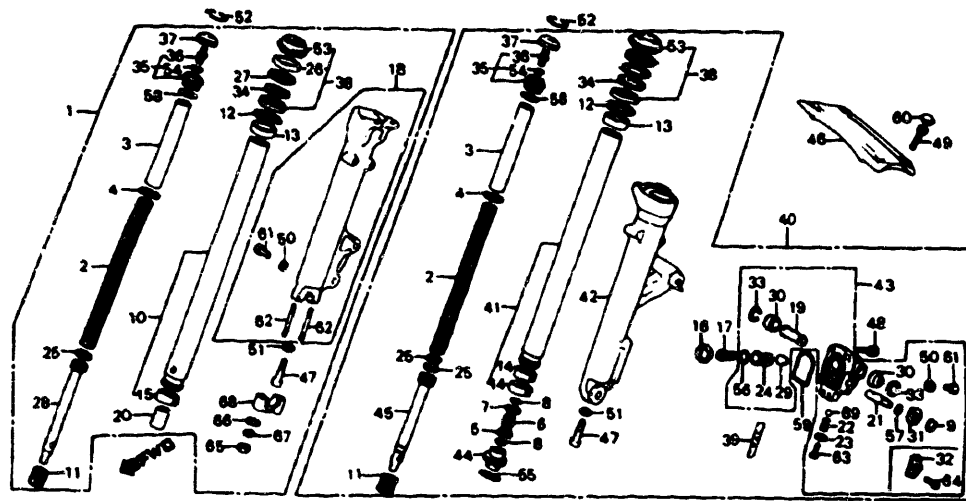
Ref. No.	BLOCK NO. DESCRIPTION	VF750S		QTY REQ	PART NUMBER	HONDA CODE
		1 9 8 2	1 9 8 3			
		2	3			
24	PISTON	2	---	1	51436-ME1-671	1212265
	PISTON	---	3	1	51436-MB1-771	1291897
25	RING, PISTON	2	3	3	51437-MA0-771	1093962
28	PIPE, SEAT	2	---	1	51440-MB0-003	1249341
	PIPE, SEAT	---	3	1	51440-MB0-771	1316843
29	RUBBER, STOPPER	2	3	1	51441-MC7-003	1212281
30	BOOT, PISTON CASE	2	3	2	51442-MC7-003	1212299
31	WASHER, L. SIDE	---	3	1	51444-MB1-771	1291905
32	WASHER, L. SIDE	2	---	1	51444-MC7-013	1291913
33	HOLDER, BOOT	2	3	2	51445-MC7-003	1212315
34	CIRCLIP, INTERNAL, 50MM	2	3	2	51447-461-003	0910885
35	BOLT ASSY., FR. SHOCK	2	3	2	51450-MB0-003	1249358
36	VALVE COMP., AIR (SHOWA)	2	3	2	51456-469-013	0950428
37	CAP ASSY., VALVE	2	3	2	51457-MB0-003	1249366
38	SEAL SET, FR. SHOCK	2	3	2	51490-KA2-003	4130118
	SEAL SET, FR. FORK	2	3	2	51490-MC5-305	1249382
	SEAL SET, FR. FORK	2	3	2	51490-MC5-315	1846476
39	MARK, FR. FORK	2	3	1	51496-MC7-670	1249390
40	SHOCK ABSORBER, L. FR.	2	---	1	51500-MB0-671	1264423
	SHOCK ABSORBER, L. FR.	---	3	1	51500-MB0-772	2066033
41	PIPE COMP., L. FR. SHOCK	2	---	1	51510-MB0-003	1249424
	PIPE COMP., L. FR. SHOCK	---	3	1	51510-MB0-771	1316850
42	CASE, L. LOWER	2	---	1	51521-MB0-003	1249440
	CASE, L. LOWER	---	3	1	51521-MB0-771	1316868
43	CASE ASSY., L. PISTON	2	---	1	51530-MB0-003	1249465
	CASE ASSY., L. PISTON	---	3	1	51530-MB1-771	1291947
44	PIECE B, OIL LOCK	2	---	1	51532-ME1-671	1212364
	PIECE B, OIL LOCK	---	3	1	51532-MB1-771	1291954
45	PIPE B, SEAT	2	---	1	51540-MB0-003	1249473
	PIPE, L. SEAT	---	3	1	51540-MC5-003	1316876
46	STABILIZER, FR. SHOCK	2	3	1	53240-MB0-000	1252501
47	BOLT, SOCKET, 8X27	2	---	2	90116-283-000	0265629

CONTENTS

TITLE	PAGE	GRID
AIR CLEANER 82	113	F11
AIR CLEANER 83	116	G1
BATTERY	111	F10
BRAKE CALIPER, FR.	90	E12
BRAKE MASTER CYL. FR.	74	E4
BRAKE PANEL, RR.	94	F2
BRAKE PEDAL	121	G3
CABLE	72	E3
CLUTCH MASTER CYLINDER	76	E5
CONTROL LEVER	74	E4
ELECTRIC PARTS 83	139	G12
FENDER, FR.	84	E9
FENDER, RR.	132	G9
FINAL DRIVEN GEAR	98	F4
FRAME	146	H4
FUEL TANK	102	F6
GEARSHIFT PEDAL	121	G3
HANDLEBAR	78	E6
HEADLIGHT	68	E1
HORN	82	E8
IGNITION COIL 82	137	G11
INSTRUMENTS	70	E2
MUFFLER	118	G2
RADIATOR	142	H2
SEAT	105	F7
SHOCK ABSORBER, FR.	85	E9
SHOCK ABSORBER, RR.	130	G8
SIDE COVER	108	F9
SPARK UNIT	132	G9
STAND	126	G6
STEERING STEM	82	E8
STEP	124	G5
SWINGARM	128	G7
SWITCH	72	E3
TAILLIGHT	136	G11
TOOLS	149	H5
TOP BRIDGE	78	E6
TURN SIGNAL	134	G10
WHEEL, FR.	92	F1
WHEEL, RR.	96	F3
WIRE HARNESS 82	137	G11
WIRE HARNESS 83	139	G12

VF750S'82 ENGINE NO.; RC07E-2000066 TO 2015996
 VF750S'82 FRAME NO.; RC070-CM000036 TO CM012083
 VF750S'83 ENGINE NO.; RC07E-2100018 TO 2115544
 VF750S'83 FRAME NO.; RC070-DH100006 TO DH108632

FRONT SHOCK ABSORBER



F14MB00C09

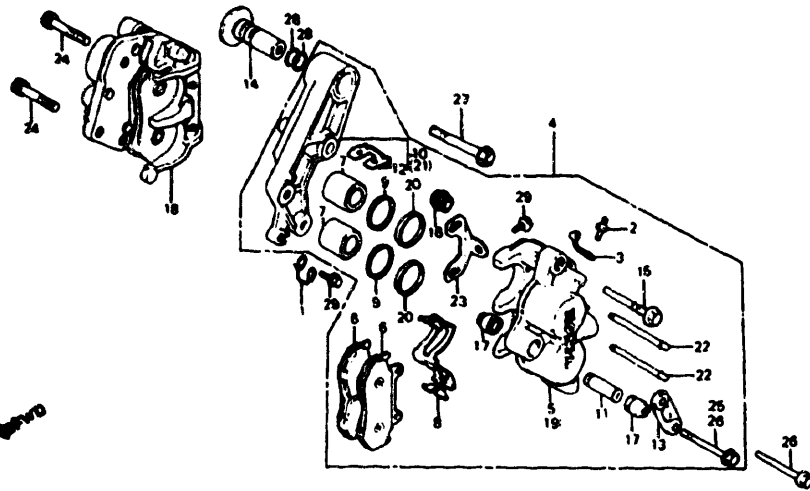
Ref. No.	BLOCK NO. DESCRIPTION	VF750S		QTY REQ	PART NUMBER	HONDA CODE
		1 9 8 2	1 9 8 3			
		2	3			
47	BOLT, SOCKET, 8MM	2	3	2	90116-283-010	0254169
48	BOLT, SOCKET	2	3	4	90118-MC7-003	1258300
49	BOLT, SOCKET, 8x17	2	3	4	90153-MB0-000	1251123
	BOLT, SOCKET, 8x17	2	3	4	90153-MBU-405	4222808
50	GASKET, FR. FORK DRAIN VALVE	2	3	2	90543-273-000	0052209
51	WASHER, SPECIAL, 8MM	2	3	2	90544-283-000	0259457
52	RING, SNAP	2	3	2	90601-438-730	1259605
53	SEAL, DUST	2	3	2	91254-KAZ-003	4085528
	DUST SEAL, FR. FORK	2	3	2	91254-461-003	0911552
54	O-RING, 5.8x1.9	2	3	2	91301-469-003	0874768
	O-RING, 5.8x1.9	2	3	2	91305-323-000	0258012
	O-RING, 5.6x1.9 (ARAI)	2	3	2	91318-ME5-003	1366574
55	O-RING E, 33.5x2	2	3	1	91306-MC7-003	1213230
56	O-RING D, 13.8x2.4 (SHOWA)	2	3	1	91308-MC7-003	1251552
	O-RING, 13.8x2.4 (NOK)	2	3	1	91311-PH7-003	2373504
57	O-RING, 6.8x1.9	2	3	1	91306-PJ4-000	2373447

Ref. No.	BLOCK NO. DESCRIPTION	VF750S		QTY REQ	PART NUMBER	HONDA CODE
		1 9 8 2	1 9 8 3			
		2	3			
57	O-RING B, 6.8x1.9	2	3	1	91310-MC7-003	1218569
58	O-RING, 29x2.4	2	3	2	91356-371-000	0471300
59	O-RING, 49.4x3.1	2	3	1	91399-MB0-003	1260900
60	CAP, SOCKET BOLT, 8MM	2	3	4	91455-MB0-000	1251677
61	BOLT, HEX., 6x8	2	3	2	92000-06008-0A	0724377
	BOLT, HEX., 6x8	2	3	2	92101-06008-0A	2504868
62	BOLT, STUD, 8x50	2	3	2	92700-08050-3B	0416966
	BOLT, STUD, 8x50	2	3	2	92900-08028-3B	2892685
63	SCREW, PAN, 5x10	2	3	1	93500-05010-0A	0156976
	SCREW, PAN, 5x10	2	3	1	93500-05010-1A	0814343
	SCREW, 5x10	2	3	1	93510-05010-0A	0173583
64	SCREW, FLAT, 4x10	2	—	2	93600-04010-1B	1213263
65	NUT, HEX., 8MM	2	3	2	94030-08000	0114686
66	WASHER, PLAIN, 8MM	2	3	2	94101-08000	0059097
67	WASHER, SPRING, 8MM	2	3	2	94111-08000	0058982
68	HOLDER 1C, FR. FORK AXLE	2	3	1	95014-41000	0255653
69	BALL, STEEL, #5 (5/32)	2	3	1	96211-05000	0058917

CONTENTS		
TITLE	PAGE	GRID
AIR CLEANER B2	113	F11
AIR CLEANER B3	116	G1
BATTERY	111	F10
BRAKE CALIPER, FR.	90	E12
BRAKE MASTER CYL. FR.	74	E4
BRAKE PANEL, FR.	94	F2
BRAKE PEDAL	121	G3
CABLE	72	E3
CLUTCH MASTER CYLINDER	76	E5
CONTROL LEVER	74	E4
ELECTRIC PARTS B3	139	G12
FENDER, FR.	84	E9
FENDER, RR.	132	G9
FINAL DRIVEN GEAR	98	F4
FRAME	146	H4
FUEL TANK	102	F6
GEARSHIFT PEDAL	121	G3
HANDLEBAR	78	E6
HEADLIGHT	68	E1
HORN	82	E8
IGNITION COIL B2	137	G11
INSTRUMENTS	70	E2
MUFFLER	118	G2
RADIATOR	142	H2
SEAT	105	F7
SHOCK ABSORBER, FR.	85	E9
SHOCK ABSORBER, RR.	130	G8
SIDE COVER	108	F9
SPARK UNIT	132	G9
STAND	126	G6
STEERING STEM	82	E8
STEP	124	G5
SWINGARM	128	G7
SWITCH	72	E3
TAILLIGHT	136	G11
TOOLS	149	H5
TOP BRIDGE	78	E6
TURN SIGNAL	134	G10
WHEEL, FR.	92	F1
WHEEL, RR.	96	F3
WIRE HARNESS B2	137	G11
WIRE HARNESS B3	139	G12

VF750S'82 ENGINE NO.; RC07E-2000066 TO 2015996
 VF750S'82 FRAME NO.; RC070-CM000036 TO CM012083
 VF750S'83 ENGINE NO.; RC07E-2100018 TO 2115544
 VF750S'83 FRAME NO.; RC070-DM100006 TO DM108632

FRONT BRAKE CALIPER



F14MBOC10

Ref. No.	BLOCK NO. F-10 DESCRIPTION	VF750S		QTY REQ	PART NUMBER	HONDA CODE
		1982	1983			
2 = VF750S'82 3 = VF750S'83						
1	CLAMP, SPEEDOMETER SENSOR WIRE ..	2	3	1	37801-MB0-000	1247238
2	SCREW, BLEEDER	2	3	2	43352-568-003	0505735
3	CAP, BLEEDER SCREW	2	3	2	43353-461-771	0954230
4	CALIPER ASSY., L. FR. (NISSHIN ASK)	2	3	1	45100-MB0-007	1248137
	CALIPER ASSY., L. FR. (NISSHIN TT)	2	3	1	45100-MB0-008	1252493
5	CALIPER COMP., L.	2	3	1	45101-MA3-006	1011915
6	PAD COMP. (NISSHIN ASK) (SEE KIT P/N—END OF BLOCK)	2	3	4	45105-MB0-007	1248160
	PAD COMP. (NISSHIN TT) (SEE KIT P/N—END OF BLOCK)	2	3	4	45105-MB0-008	1248178
7	PISTON	2	3	4	45107-MA3-006	1011949
8	SPRING, PAD	2	3	2	45108-MA3-006	1011956
9	DUST SEAL	2	3	4	45109-166-006	1011964
10	BRACKET COMP., L. FR.	2	3	1	45110-MB7-611	1248186
11	SLEEVE	2	3	2	45111-MA3-006	1011980
12	RETAINER, BRACKET	2	3	2	45112-445-631	1095496

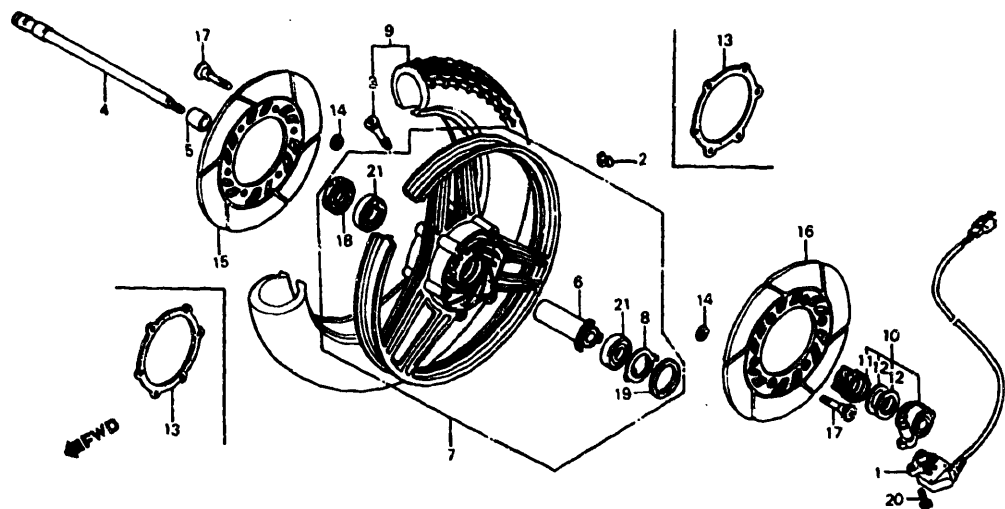
Ref. No.	BLOCK NO. F-10 DESCRIPTION	VF750S		QTY REQ	PART NUMBER	HONDA CODE
		1982	1983			
13	BRIDGE, CALIPER BRACKET	2	3	1	45113-MB7-610	1248194
14	SLEEVE, FR. CALIPER BRACKET	2	3	1	45114-MB7-610	1211770
15	BOLT, PIN	2	3	2	45131-MA3-006	1012004
16	BOOT (B)	2	3	2	45133-MA3-006	1012012
17	BOOT, PIN	2	3	4	45133-166-016	1012020
18	CALIPER ASSY., R. FR. (NISSHIN ASK)	2	3	1	45200-MB0-007	1248301
	CALIPER ASSY., R. FR. (NISSHIN TT)	2	3	1	45200-MB0-008	1248319
19	CALIPER COMP., R.	2	3	1	45201-MA3-006	1020494
20	SEAL, PISTON	2	3	4	45209-166-006	1012038
21	BRACKET, R.	2	3	1	45210-438-731	1052257
	BRACKET, R.	2	3	1	45210-445-631	0945543
	BRACKET COMP., R. FR.	2	3	1	45210-445-632	1073105
22	PIN, HANGER RETAINER GROOVE, 4.0MM DIA.	2	3	4	45215-MA3-006	1012046
23	PLATE	2	3	2	45217-MA3-006	1012053
24	BOLT, SOCKET, 10X40	2	3	2	90164-460-840	1113257
25	BOLT, FLANGE, 8X49	2	3	1	90180-MA3-006	1053107
26	BOLT, FLANGE, 8X55	2	3	2	90180-MA3-660	1213107
27	BOLT, FLANGE, 10X50	2	3	1	90185-MC7-013	1260785
28	O-RING, 16.8X1.9	2	3	2	91302-MC7-611	1218544
29	BOLT, FLANGE, 6X10	2	3	3	95700-06010-07	0663930
	BOLT, FLANGE, 6X10	2	3	3	95701-06010-07	2374734
NI	NI BRAKE PAD KIT	2	3	2	451A0-MB0-670	3529062

CONTENTS

TITLE	PAGE	GRID
AIR CLEANER 82	113	F11
AIR CLEANER 83	116	G1
BATTERY	111	F10
BRAKE CALIPER, FR.	90	E12
BRAKE MASTER CYL. FR.	74	E4
BRAKE PANEL, RR.	94	F2
BRAKE PEDAL	121	G3
CABLE	72	E3
CLUTCH MASTER CYLINDER	76	E5
CONTROL LEVER	74	E4
ELECTRIC PARTS 83	139	G12
FENDER, FR.	84	E9
FENDER, RR.	132	G9
FINAL DRIVEN GEAR	98	F4
FRAME	146	H4
FUEL TANK	102	F6
GEARSHIFT PEDAL	121	G3
HANDLEBAR	78	E6
HEADLIGHT	68	E1
HORN	82	E8
IGNITION COIL 82	137	G11
INSTRUMENTS	70	E2
MUFFLER	118	G2
RADIATOR	142	H2
SEAT	105	F7
SHOCK ABSORBER, FR.	85	E9
SHOCK ABSORBER, RR.	130	G8
SIDE COVER	108	F9
SPARK UNIT	132	G9
STAND	126	G6
STEERING STEM	82	E8
STEP	124	G5
SWINGARM	128	G7
SWITCH	72	E3
TAILLIGHT	136	G11
TOOLS	149	H5
TORN BRIDGE	78	E6
TURN SIGNAL	134	G10
WHEEL, FR.	92	F1
WHEEL, RR.	96	F3
WIRE HARNESS 82	137	G11
WIRE HARNESS 83	139	G12

VF750S'82 ENGINE NO.; RC07E-2000066 TO 2015996
 VF750S'82 FRAME NO.; RC070-CM000036 TO CM012083
 VF750S'83 ENGINE NO.; RC07E-2100018 TO 2115544
 VF750S'83 FRAME NO.; RC070-DM100006 TO DM108632

FRONT WHEEL



F14MB0C11

Ref. No.	BLOCK NO. F-11 DESCRIPTION	VF750S		QTY REQ	PART NUMBER	HONDA CODE
		1 9 8 2	1 9 8 3			
2 = VF750S'82 3 = VF750S'83						
		FRAME SERIAL NUMBER				
		FROM	TO			
1	SENSOR ASSY., SPEEDOMETER	2	3	1	37700-MB0-008	1247212
2	WEIGHT, BALANCE (10G)	2	3	AR	42704-MB0-000	1272319
	WEIGHT, BALANCE (20G)	2	3	AR	42705-MB0-000	1247881
	WEIGHT, BALANCE (30G)	2	3	AR	42706-MB0-000	1247899
3	VALVE, RIM (BRIDGESTONE)	2	3	1	42753-425-003	1032465
	VALVE, RIM	2	3	1	42753-425-004	1041128
4	AXLE, FR. WHEEL	2	3	1	44301-KR3-901	2258358
	AXLE, FR. WHEEL	2	3	1	44301-MB0-000	1248004
	AXLE, FR. WHEEL	2	3	1	44301-MC5-000	1272368
5	COLLAR, FR. WHEEL SIDE	2	---	1	44311-MB0-000	1248012
	COLLAR, FR. WHEEL SIDE	---	3	1	44311-MB0-000	1248012
	COLLAR, FR. WHEEL SIDE	2	3	1	44311-MC5-010	1298835
	COLLAR, FR. WHEEL SIDE	---	3	1	44311-MC5-010	1298835
6	COLLAR COMP., FR. AXLE DISTANCE	2	3	1	44620-MR0-000	1248020
7	WHEEL COMP., FR.	2	3	1	44650-MB0-305	1248038
8	RETAINER, GEAR BOX	2	3	1	44680-410-000	0482968

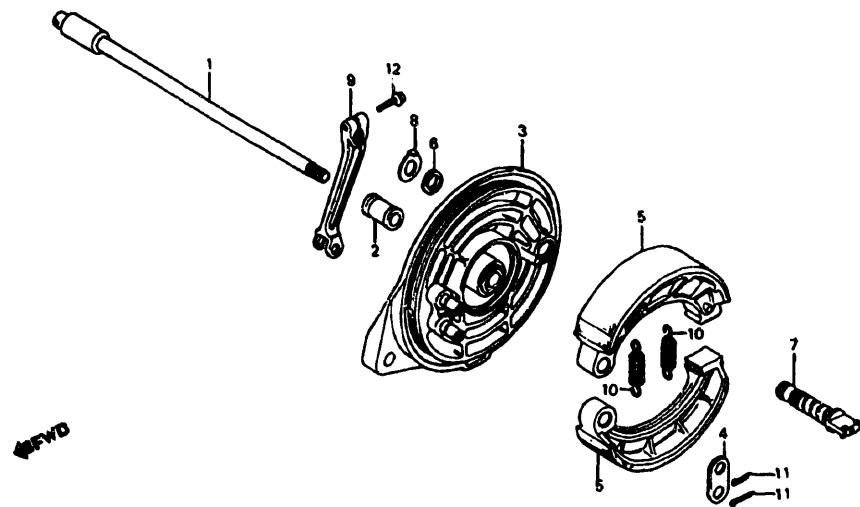
Ref. No.	BLOCK NO. F-11 DESCRIPTION	VF750S		QTY REQ	PART NUMBER	HONDA CODE
		1 9 8 2	1 9 8 3			
2 = VF750S'82 3 = VF750S'83						
		FRAME SERIAL NUMBER				
		FROM	TO			
9	TIRE ASSY., FR. (110/90-18 61H BS)	2	3	1	44710-MB0-671	1252485
	TIRE ASSY., FR. (110/90-18 61H DUNLOP)	2	3	1	44710-MB0-672	1248053
	TIRE ASSY., FR. (110/90-18 61H DUNLOP)	2	3	1	44710-MB3-673	1743483
10	BOX ASSY., SPEEDOMETER GEAR	2	3	1	44800-MB0-013	2450765
11	GEAR, SPEEDOMETER	2	3	1	44806-MB0-003	1248095
12	WASHER, SPEEDOMETER GEAR	2	3	2	44809-402-000	0433896
13	SHIM, DAMPING	2	---	2	45128-MB0-000	1248285
	SHIM, DAMPING	---	3	2	45128-MB0-000	1248285
14	SHIM, DAMPING	---	3	12	45128-ME2-003	1390830
15	DISK, R. FR. BRAKE	2	---	1	45251-MB0-000	1248343
	DISK, R. FR. BRAKE	---	3	1	45251-MB0-700	1309095
16	DISK, L. FR. BRAKE	2	---	1	45351-MB0-000	1248368
	DISK, L. FR. BRAKE	---	3	1	45351-MB0-700	1309103
17	BOLT, FR. DISK, 8X33	2	3	12	90105-MB0-000	1250901
	BOLT, FR. DISK, 8X33	2	3	12	90105-MB0-010	2028785
18	SEAL, DUST, 22X42X7	2	3	1	91252-MC7-003	1210913
19	DUST SEAL, 40X50X5 (ARA1)	2	3	1	91258-410-013	0670992
20	BOLT, HEX., 5X20	2	3	1	92000-05020-06	1251693
	BOLT, HEX., 5X20	2	3	1	92101-05020-06	3820768
21	BEARING, RADIAL BALL, 6302U	2	3	2	96140-63020-10	0239889
	BEARING, RADIAL BALL, 6302UU	2	3	2	96150-63020-10	1213347

CONTENTS

TITLE	PAGE	GRID
AIR CLEANER 82	113	F11
AIR CLEANER 83	116	G1
BATTERY	111	F10
BRAKE CALIPER, FR.	90	E12
BRAKE MASTER CYL, FR.	74	E4
BRAKE PANEL, RR.	94	F2
BRAKE PEDAL	121	G3
CABLE	72	E3
CLUTCH MASTER CYLINDER	76	E5
CONTROL LEVER	74	E4
ELECTRIC PARTS 83	139	G12
FENDER, FR.	84	E9
FENDER, RR.	132	G9
FINAL DRIVEN GEAR	98	F4
FRAME	146	H4
FUEL TANK	102	F6
GEARSHIFT PEDAL	121	G3
HANDLEBAR	78	E6
HEADLIGHT	68	E1
HORN	82	E8
IGNITION COIL 82	137	G11
INSTRUMENTS	70	E2
MUFFLER	118	G2
RADIATOR	142	H2
SEAT	105	F7
SHOCK ABSORBER, FR.	85	E9
SHOCK ABSORBER, RR.	130	G8
SIDE COVER	108	F9
SPARK UNIT	132	G9
STAND	126	G6
STEERING STEM	82	E8
STEP	124	G5
SWINGARM	128	G7
SWITCH	72	E3
TAILLIGHT	136	G11
TOOLS	149	H5
TOP BRIDGE	78	E6
TURN SIGNAL	134	G10
WHEEL, FR.	92	F1
WHEEL, RR.	96	F3
WIRE HARNESS 82	137	G11
WIRE HARNESS 83	139	G12

VF750S'82 ENGINE NO.; RC07E-2000066 TO 2015996
 VF750S'82 FRAME NO.; RC070-CM000036 TO CM012083
 VF750S'83 ENGINE NO.; RC07E-2100018 TO 2115544
 VF750S'83 FRAME NO.; RC070-DM100006 TO DM108632

REAR BRAKE PANEL



F14MB0C12

Ref. No.	BLOCK NO. F-12	VF750S		FRAME SERIAL NUMBER	QTY REQ	PART NUMBER	HONDA CODE
		1	1				
		9	9				
		8	8				
		2	3				
No.	DESCRIPTION	2	3	FROM	TO		
2 = VF750S'82 3 = VF750S'83							
1	AXLE, RR. WHEEL	2	--	----	----	1	42301-MB0-000 1247816
	AXLE, RR. WHEEL	--	3	----	----	1	42301-MB0-700 1291715
2	COLLAR, RR. WHEEL SIDE	2	--	----	----	1	42313-MB0-000 1247824
	COLLAR, RR. WHEEL SIDE	--	3	----	----	1	42313-MB0-700 1291723
3	PANEL COMP., RR.	2	3	----	----	1	43100-MB0-010 2053460
4	WASHER, ANCHOR PIN	2	3	----	----	1	43102-319-000 0212092
	WASHER, RR. BRAKE ANCHOR PIN	2	3	----	----	1	43106-222-300 0033233
5	SHOE COMP., RR. BRAKE (SEE KIT P/N--END OF BLOCK)	2	3	----	----	2	43120-415-000 0669408
6	DUST SEAL, BRAKE CAM	2	3	----	----	1	43134-300-000 0191064
7	CAM RR. BRAKE	2	3	----	----	1	43141-MB0-000 1247956
8	INDICATOR, RR. BRAKE	2	3	----	----	1	43145-415-000 0669424
9	ARM, RR. BRAKE	2	3	----	----	1	43410-MB0-000 1247964
10	SPRING, FR. BRAKE SHOE	2	3	----	----	2	45133-329-000 0293316
11	PIN, SPLIT, 2.5MM	2	3	----	----	2	94201-25200 0058404
	PIN, COTTER, 2.5MM	2	3	----	----	2	94201-25250 0145581

Ref. No.	BLOCK NO. F-12	VF750S		FRAME SERIAL NUMBER	QTY REQ	PART NUMBER	HONDA CODE
		1	1				
		9	9				
		8	8				
		2	3				
No.	DESCRIPTION	2	3	FROM	TO		
2 = VF750S'82 3 = VF750S'83							
11	PIN, COTTER, 2.5MM	2	3	----	----	2	94201-25300 0156091
12	BOLT, FLANGE, 8X25	2	3	----	----	1	95700-08025-00 0671214
	BOLT, FLANGE, 8X25	2	3	----	----	1	95701-08025-00 2545325
NI	BRAKE SHOE SET	2	3	----	----	1	06430-415-000 3906906
	BRAKE SHOE KIT	2	3	----	----	1	431A2-415-000 3211950

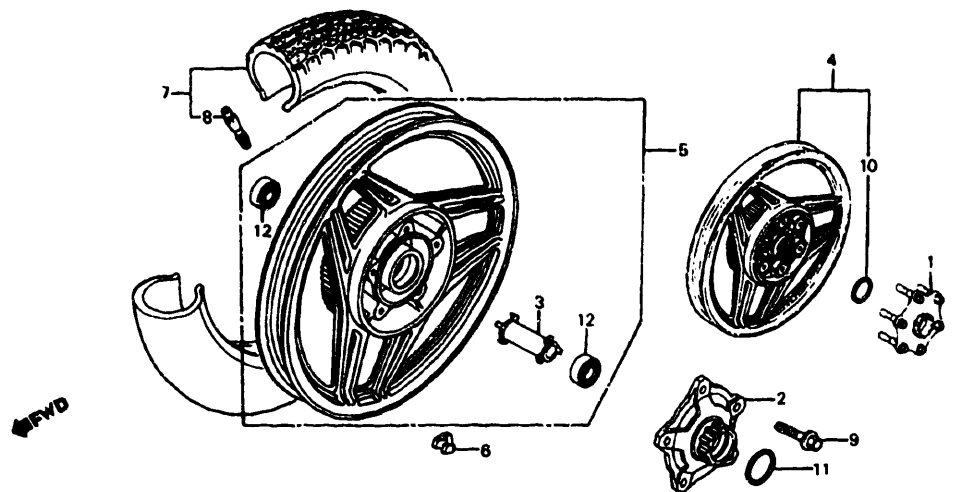
CONTENTS

TITLE	PAGE	GRID
AIR CLEANER 82	113	F11
AIR CLEANER 83	116	G1
BATTERY	111	F10
BRAKE CALIPER, FR.	90	E12
BRAKE MASTER CYL, FR.	74	E4
BRAKE PANEL, RR.	94	F2
BRAKE PEDAL	121	G3
CABLE	72	E3
CLUTCH MASTER CYLINDER	76	E5
CONTROL LEVER	74	E4
ELECTRIC PARTS 83	139	G12
FENDER, FR.	84	E9
FENDER, RR.	132	G9
FINAL DRIVEN GEAR	98	F4
FRAME	146	H4
FUEL TANK	102	F6
GEARSHIFT PEDAL	121	G3
HANDLEBAR	78	E6
HEADLIGHT	68	E1
HORN	82	E8
IGNITION COIL 82	137	G11
INSTRUMENTS	70	E2
MUFFLER	118	G2
RADIATOR	142	H2
SEAT	105	F7
SHOCK ABSORBER, FR.	85	E9
SHOCK ABSORBER, RR.	130	G8
SIDE COVER	108	F9
SPARK UNIT	132	G9
STAND	126	G6
STEERING STEM	82	E8
STEP	124	G5
SWINGARM	128	G7
SWITCH	72	E3
TAILLIGHT	136	G11
TOOLS	149	H5
TOP BRIDGE	78	E6
TURN SIGNAL	134	G10
WHEEL, FR.	92	F1
WHEEL, RR.	96	F3
WIRE HARNESS 82	137	G11
WIRE HARNESS 83	139	G12

GRID

F2

REAR WHEEL



F14MBOC13

Ref. No.	BLOCK NO. F-13	VF750S		FRAME SERIAL NUMBER	QTY REQ	PART NUMBER	HONDA CODE
		1	1				
		9	9				
		8	8				
		2	3				
2 = VF750S'82 3 = VF750S'83							
1	FLANGE ASSY., FINAL DRIVEN	2	--	----	----	1	42610-MB0-000 1247832
	FLANGE ASSY., FINAL DRIVEN	2	--	----	----	1	42610-MB0-010 1357839
	FLANGE ASSY., FINAL DRIVEN	2	--	----	----	1	42610-MB0-020 1723535
2	FLANGE, FINAL DRIVEN	--	3	----	----	1	42615-MB0-700 1293190
3	COLLAR, RR. AXLE DISTANCE	2	3	----	----	1	42620-MB0-000 1247840
4	WHEEL COMP., RR.	2	--	----	----	1	42650-MB0-305 1247865
5	WHEEL COMP., RR.	--	3	----	----	1	42650-MB0-700 1308980
6	WEIGHT, BALANCE (10G)	2	3	----	----	AR	42704-MB0-000 1272319
	WEIGHT, BALANCE (20G)	2	3	----	----	AR	42705-MB0-000 1247881
	WEIGHT, BALANCE (30G)	2	3	----	----	AR	42706-MB0-000 1247899
7	TIRE ASSY., RR. (130/90-17 68H BS)	2	3	----	----	1	42710-MB0-671 1247907
	TIRE ASSY., FR. (130/90-17 68H DUNLOP)	2	3	----	----	1	42710-MB0-672 1247915
	TIRE ASSY., RR. (DUNLOP)	2	3	----	----	1	42710-MB0-912 1876861
	TIRE ASSY., RR. (130/90-17 68H DUNLOP)	2	3	----	----	1	42710-MB3-672 1833367

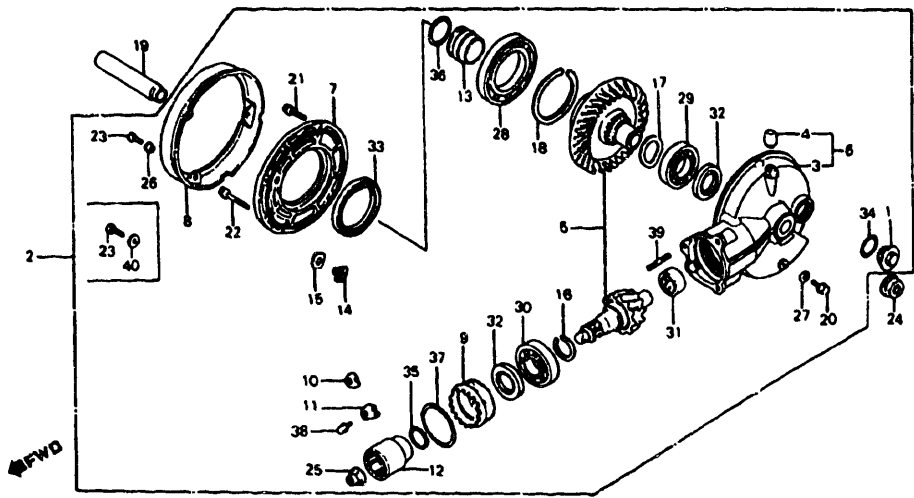
VF750S'82 ENGINE NO.; RC07E-2000066 TO 2015996
 VF750S'82 FRAME NO.; RC070-CM000036 TO CM012083
 VF750S'83 ENGINE NO.; RC07E-2100018 TO 2115544
 VF750S'83 FRAME NO.; RC070-DM100006 TO DM108632

Ref. No.	BLOCK NO. F-13	VF750S		FRAME SERIAL NUMBER	QTY REQ	PART NUMBER	HONDA CODE
		1	1				
		9	9				
		8	8				
		2	3				
2 = VF750S'82 3 = VF750S'83							
7	TIRE ASSY., RR. (130/90-17 68H DUNLOP)	2	3	----	----	1	42710-MB3-673 1743376
8	VALVE, RIM (BRIDGESTONE)	2	3	----	----	1	42753-425-003 1032465
	VALVE, RIM	2	3	----	----	1	42753-425-004 1041128
9	BOLT, UBS, 10X34	--	3	----	----	5	90130-MC7-000 1210814
10	O-RING, 56.5X3.5	2	3	----	----	1	91357-MB0-000 1251602
11	O-RING, 46X5X3.5	2	3	----	----	1	91358-MB0-000 1251610
12	BEARING, RADIAL BALL, 6303U	2	3	----	----	2	96140-63030-10 0300616

CONTENTS

TITLE	PAGE	GRID
AIR CLEANER 82	113	F11
AIR CLEANER 83	116	G1
BATTERY	111	F10
BRAKE CALIPER, FR.	90	E12
BRAKE MASTER CYL, FR.	74	E4
BRAKE PANEL, RR.	94	F2
BRAKE PEDAL	121	G3
CABLE	72	E3
CLUTCH MASTER CYLINDER	76	E5
CONTROL LEVER	74	E4
ELECTRIC PARTS 83	139	G12
FENDER, FR.	84	E9
FENDER, RR.	132	G9
FINAL DRIVEN GEAR	98	F4
FRAME	146	H4
FUEL TANK	102	F6
GEARSHIFT PEDAL	121	G3
HANDLEBAR	78	E6
HEADLIGHT	68	E1
HORN	82	E8
IGNITION COIL 82	137	G11
INSTRUMENTS	70	E2
MUFFLER	118	G2
RADIATOR	142	H2
SEAT	105	F7
SHOCK ABSORBER, FR.	85	E9
SHOCK ABSORBER, RR.	130	G8
SIDE COVER	108	F9
SPARK UNIT	132	G9
STAND	126	G6
STEERING STEM	82	E8
STEP	124	G5
SWINGARM	128	G7
SWITCH	72	E3
TAILLIGHT	136	G11
TOOLS	149	H5
TOP BRIDGE	78	E6
TURN SIGNAL	134	G10
WHEEL, FR.	92	F1
WHEEL, RR.	96	F3
WIRE HARNESS 82	137	G11
WIRE HARNESS 83	139	G12

FINAL DRIVEN GEAR



F14MB0C14

Ref. No.	BLOCK NO. F-14 DESCRIPTION	VF750S		FRAME SERIAL NUMBER		QTY REQ	PART NUMBER	HONDA CODE
		1	2	FROM	TO			
	2 = VF750S'82 3 = VF750S'83	1	1					
		9	9					
		8	8					
		2	3					
1	CAP, TAPPET ADJUSTING HOLE	2	3			1	12361-035-000	0069625
	CAP, TAPPET ADJUSTING HOLE	2	3			1	12361-300-000	0188870
	CAP, TAPPET ADJUSTING HOLE	2	3			1	12361-371-980	0454934
2	GEAR ASSY., FINAL DRIVEN	2	3			1	41300-MB0-000	1247485
3	CASE, FINAL GEAR	2	--			1	41301-MB0-000	1247501
	CASE, FINAL GEAR	2	3			1	41301-MB0-010	1316728
	CASE, FINAL GEAR	2	3			1	41311-MB0-305	1526805
4	CAP, BREATHER	2	--			1	41306-MB0-000	1247527
	CAP, BREATHER	--	3			1	41306-MB0-010	1316736
	BREATHER ASSY.	--	3			1	41306-ME5-305	1534924
5	GEAR SET, FINAL	2	3			1	41310-MB0-305	1247543
6	CASE, FINAL GEAR	--	3			1	41311-MB0-305	1526805
7	COVER, GEAR CASE	2	--			1	41321-MB0-000	1247568
	COVER, GEAR CASE	2	3			1	41312-MB4-770	2107431
	COVER, GEAR CASE	2	3			1	41321-MB0-010	1316744
8	PLATE, DUST GUARD	2	--			1	41324-MB0-000	1247576

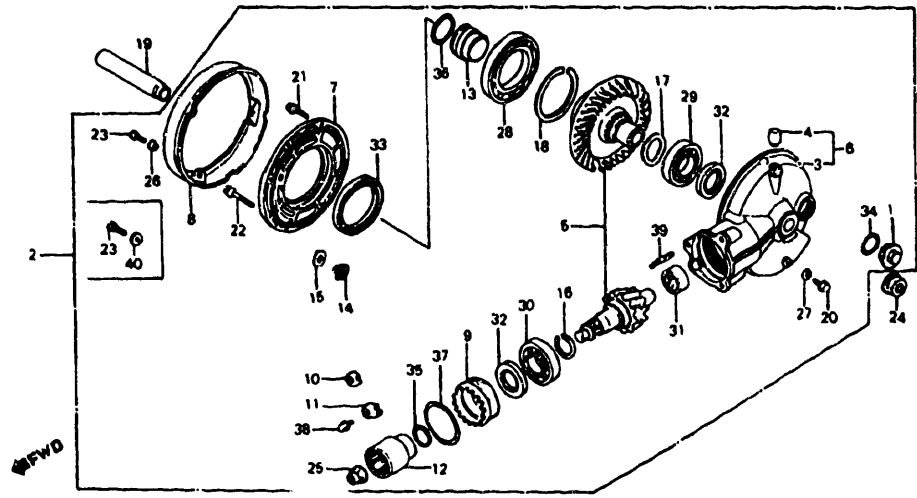
Ref. No.	BLOCK NO. F-14 DESCRIPTION	VF750S		FRAME SERIAL NUMBER		QTY REQ	PART NUMBER	HONDA CODE
		1	2	FROM	TO			
		1	1					
		9	9					
		8	8					
		2	3					
8	PLATE, DUST GUARD	--	3			1	41324-MB0-010	1316751
9	RETAINER, BEARING	2	3			1	41331-MB0-000	1247584
10	LOCK, BEARING ADJUSTING (A)	2	3			1	41332-415-000	0669176
11	LOCK, BEARING ADJUSTING (B)	2	3			1	41333-415-000	0669184
12	JOINT, PINION	2	3			1	41410-MB0-000	1247592
13	HOLDER, O-RING	2	--			1	41433-MB0-000	1247600
	HOLDER, O-RING	2	3			1	41433-MB0-010	1316769
14	PIN, RING GEAR STOPPER	2	--			1	41436-MB0-300	1247618
	PIN, RING GEAR STOPPER	--	3			1	41436-MB0-310	1316777
15	SHIM A, STOPPER PIN	2	--			1	41437-MB0-300	1247626
	SHIM B, STOPPER PIN	2	--			1	41438-MB0-300	1247634
	SHIM A, STOPPER PIN (0.10)	2	3			1	41437-MB0-310	1316785
	SHIM B, STOPPER PIN (0.15)	--	3			1	41438-MB0-310	1316793
16	SHIM A, PINION GEAR (1.82)	2	3			1	41450-MB0-000	1247642
	SHIM B, PINION GEAR (1.88)	2	3			1	41451-MB0-000	1247659
	SHIM C, PINION GEAR (1.94)	2	3			1	41452-MB0-000	1247667
	SHIM D, PINION GEAR (2.00)	2	3			1	41453-MB0-000	1247675
	SHIM E, PINION GEAR (2.06)	2	3			1	41454-MB0-000	1247683
	SHIM F, PINION GEAR (2.12)	2	3			1	41455-MB0-000	1247691
	SHIM G, PINION GEAR (2.18)	2	3			1	41456-MB0-000	1247709
17	WASHER, SPECIAL, 35X40	2	3			1	41510-MB0-003	1247717
18	SPACER A, RING GEAR (1.82)	2	3			1	41530-MB0-000	1247725
	SPACER B, RING GEAR (1.88)	2	3			1	41531-MB0-000	1247733
	SPACER C, RING GEAR (1.94)	2	3			1	41532-MB0-000	1247741
	SPACER D, RING GEAR (2.00)	2	3			1	41533-MB0-000	1247758
	SPACER E, RING GEAR (2.06)	2	3			1	41534-MB0-000	1247766
	SPACER F, RING GEAR (2.12)	2	3			1	41535-MB0-000	1247774
	SPACER G, RING GEAR (2.18)	2	3			1	41536-MB0-000	1247782
	SPACER H, RING GEAR (2.24)	2	3			1	41537-MB0-000	1247790
	SPACER I, RING GEAR (2.30)	2	3			1	41538-MB0-000	1247808
19	COLLAR B, RR. DISTANCE	2	3			1	42625-MB0-000	1247857
20	BOLT, SEALING, 8MM	2	3			1	90109-371-000	0417873

CONTENTS

TITLE	PAGE	GRID
AIR CLEANER 82	113	F11
AIR CLEANER 83	116	G1
BATTERY	111	F10
BRAKE CALIPER, FR.	90	E12
BRAKE MASTER CYL, FR.	74	E4
BRAKE PANEL, RR.	94	F2
BRAKE PEDAL	121	G3
CABLE	72	E3
CLUTCH MASTER CYLINDER	76	E5
CONTROL LEVER	74	E4
ELECTRIC PARTS 83	139	G12
FENDER, FR.	84	E9
FENDER, RR.	132	G9
FINAL DRIVEN GEAR	98	F4
FRAME	146	H4
FUEL TANK	102	F6
GEARSHIFT PEDAL	121	G3
HANDLEBAR	78	E6
HEADLIGHT	68	E1
HORN	82	E8
IGNITION COIL 82	137	G11
INSTRUMENTS	70	E2
MUFFLER	118	G2
RADIATOR	142	H2
SEAT	105	F7
SHOCK ABSORBER, FR.	85	E9
SHOCK ABSORBER, RR.	130	G8
SIDE COVER	108	F9
SPARK UNIT	132	G9
STAND	126	G6
STEERING STEM	82	E8
STEP	124	G5
SWINGARM	128	G7
SWITCH	72	E3
TAILLIGHT	136	G11
TOOLS	149	H5
TOP BRIDGE	78	E6
TURN SIGNAL	134	G10
WHEEL, FR.	92	F1
WHEEL, RR.	96	F3
WIRE HARNESS 82	137	G11
WIRE HARNESS 83	139	G12

VF750S'82 ENGINE NO.; RC07E-2000066 TO 2015996
 VF750S'82 FRAME NO.; RC070-CM000036 TO CM012083
 VF750S'83 ENGINE NO.; RC07E-2100018 TO 2115544
 VF750S'83 FRAME NO.; RC070-DM100006 TO DM108632

FINAL DRIVEN GEAR



F14MB0C14

Ref. No.	BLOCK NO. F-14	VF750S		FRAME SERIAL NUMBER	QTY REQ	PART NUMBER	HONDA CODE
		1 9 8 2	1 9 8 3				
21	BOLT, FLANGE, 8X27	2	3	-----	6	90133-MB0-000	1251016
22	BOLT, FLANGE, 10X38	2	3	-----	2	90134-371-000	0471250
23	BOLT, HEX., 6X16	2	---	-----	3	90170-MB0-000	1251206
		---	3	DM106964	3	90170-MB0-000	1251206
		---	3	DM106964	1	90170-MB0-000	1251206
24	NUT, RR. AXLE U, 16MM	2	3	-----	1	90305-MC0-003	1117910
25	NUT, HEX., 16MM	2	---	-----	1	90381-MB0-000	1251347
	NUT, HEX., 16MM	2	3	-----	1	90381-MB0-010	1378223
	NUT, HEX., 16MM	2	3	-----	1	90381-MB0-700	1292127
26	WASHER, SPECIAL	2	---	-----	3	90402-MB0-000	1251354
		---	3	DM106963	3	90402-MB0-000	1251354
27	WASHER, 8MM	2	3	-----	1	90471-580-000	0517144
28	BEARING, RADIAL BALL, 16012C3	2	3	-----	1	91051-MB0-005	1251438
29	BEARING, RADIAL BALL, 57/34C3	2	3	-----	1	91052-MB0-003	1251446
	BEARING, RADIAL BALL, 57/34C3	2	3	-----	1	91052-MB0-005	1251453
30	BEARING, RADIAL BALL, 6305	2	3	-----	1	91061-MB0-005	1251461
31	BEARING, NEEDLE, 19/16	2	3	-----	1	91062-MB0-003	1251479

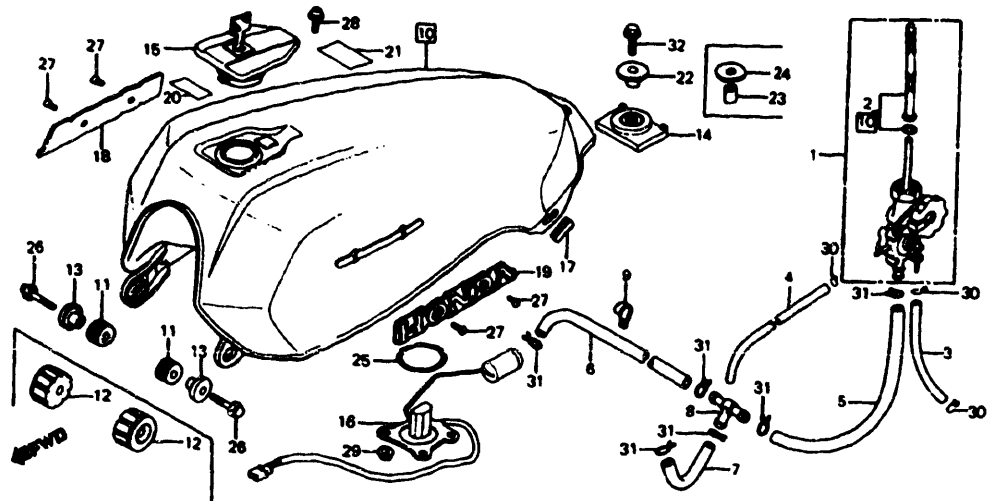
VF750S'82 ENGINE NO.; RC07E-2000066 TO 2015996
 VF750S'82 FRAME NO.; RC070-CM000036 TO CM012083
 VF750S'83 ENGINE NO.; RC07E-2100018 TO 2115544
 VF750S'83 FRAME NO.; RC070-DM100006 TO DM108632

Ref. No.	BLOCK NO. F-14	VF750S		FRAME SERIAL NUMBER	QTY REQ	PART NUMBER	HONDA CODE
		1 9 8 2	1 9 8 3				
31	BEARING, NEEDLE, 19/16	2	3	-----	1	91062-MB0-005	1251487
	BEARING, NEEDLE, 19/16	2	3	-----	1	91062-MB0-013	1810696
32	OIL SEAL, 34X50X7 (ARAI)	2	3	-----	2	91261-MB0-003	1266832
	OIL SEAL, 34X50X7 (NOK)	2	3	-----	2	91261-MB0-005	1292150
33	OIL SEAL, 60X80X8 (ARAI)	2	3	-----	1	91265-MB0-003	1292168
34	O-RING, 30.8MM	2	3	-----	1	91302-001-020	0001065
35	O-RING, 22X1.9 (ARAI)	2	3	-----	1	91355-MB0-003	1251578
	O-RING, 22X1.9 (NOK)	2	3	-----	1	91355-MB0-005	1251586
36	O-RING, 35.X2X2.4	2	3	-----	1	91356-MB0-000	1251594
	O-RING, 35.2X2.4 (NOK)	2	3	-----	1	91356-MB0-005	1285410
37	O-RING, 58.5X3.5	2	3	-----	1	91353-MB0-003	1263839
	O-RING, 58.5X3.5	2	3	-----	1	91359-MB0-000	1251636
38	BOLT, HEX., 6X12	2	3	-----	1	92000-06012	0054197
	BOLT, HEX., 6X12	2	3	-----	1	92101-06012	2738821
	BOLT, HEX., 6X12	2	3	-----	1	92101-06012-0A	3591500
39	BOLT, STUD, 10X50	2	3	-----	3	92700-10050-0E	1251719
40	WASHER, PLAIN, 6MM	---	3	DM106964	1	94101-06800	0345900

CONTENTS

TITLE	PAGE	GRID
AIR CLEANER 82	113	F11
AIR CLEANER 83	116	G1
BATTERY	111	F10
BRAKE CALIPER, FR.	90	E12
BRAKE MASTER CYL. FR.	74	E4
BRAKE PANEL, RR.	94	F2
BRAKE PEDAL	121	G3
CABLE	72	E3
CLUTCH MASTER CYLINDER	76	E5
CONTROL LEVER	74	E4
ELECTRIC PARTS 83	139	G12
FENDER, FR.	84	E9
FENDER, RR.	132	G9
FINAL DRIVEN GEAR	98	F4
FRAME	146	H4
FUEL TANK	102	F6
GEARSHIFT PEDAL	121	G3
HANDLEBAR	78	E6
HEADLIGHT	68	E1
HORN	82	E8
IGNITION COIL 82	137	G11
INSTRUMENTS	70	E2
MUFFLER	118	G2
RADIATOR	142	H2
SEAT	105	F7
SHOCK ABSORBER, FR.	85	E9
SHOCK ABSORBER, RR.	130	G8
SIDE COVER	108	F9
SPARK UNIT	132	G9
STAND	126	G6
STEERING STEM	82	E8
STEP	124	G5
SWINGARM	128	G7
SWITCH	72	E3
TAILLIGHT	136	G11
TOOLS	149	H5
TOP BRIDGE	78	E6
TURN SIGNAL	134	G10
WHEEL, FR.	92	F1
WHEEL, RR.	96	F3
WIRE HARNESS 82	137	G11
WIRE HARNESS 83	139	G12

FUEL TANK



"CAUTION OR WARNING LABELS MUST BE ORDERED SEPARATELY WHEN APPLICABLE"

F14MBOC15

Ref. No.	BLOCK NO. DESCRIPTION	VF750S		FRAME SERIAL NUMBER	QTY REQ	PART NUMBER	HONDA CODE
		2	3				
		1	1				
		9	9				
		8	8				
		2	3				
1	VALVE ASSY., FUEL	2	--	---	1	16950-MB0-003	1244268
	VALVE ASSY., FUEL	2	--	---	1	16950-MB0-013	1594522
	VALVE ASSY., FUEL	2	3	---	1	16950-MB0-023	2087278
	VALVE ASSY., FUEL	2	3	---	1	16950-MB0-701	1515188
	VALVE ASSY., FUEL	2	3	---	1	16950-MB0-702	2094514
	VALVE ASSY., FUEL	2	3	---	1	16950-MB0-703	2138949
2	SCREEN SET, FUEL STRAINER	2	--	---	1	16952-MA4-771	1076496
	SCREEN SET, FUEL STRAINER	--	3	---	1	16952-461-771	0952549
3	TUBE, VACUUM	2	3	---	1	16952-MB0-000	1244284
4	TUBE, AIR VENT, 3.5X130	2	3	---	1	16953-MB0-000	1244292
5	TUBE, FUEL, 7.3X125	2	--	---	1	16955-MB0-000	1244300
	TUBE, FUEL, 7.3X170	--	3	---	1	16955-MB0-700	1312792
	TUBE, FUEL, 7.3X170	--	3	---	1	16955-MB0-701	1724558
6	TUBE, FUEL, 7.3X220	2	--	---	1	16956-MB0-000	1244326
7	TUBE U, FUEL	2	--	---	1	16957-MB0-000	1244334
8	JOINT, FUEL TUBE	2	--	---	1	16958-MB0-000	1244342

Ref. No.	BLOCK NO. DESCRIPTION	VF750S		FRAME SERIAL NUMBER	QTY REQ	PART NUMBER	HONDA CODE
		2	3				
		1	1				
		9	9				
		8	8				
		2	3				
9	CLAMP, TUBE	2	--	---	1	16959-MB0-000	1244367
10	TANK SET, FUEL *NH1* (BLACK)	2	--	---	1	175A1-MB0-670ZA	1244805
	TANK SET, FUEL *R107CU* (CANDY BOURGOGNE RED)	2	--	---	1	175A1-MB0-670ZB	1244813
	TANK SET, FUEL *NH1Z* (BLACK-Z)	--	3	---	1	175A1-MB0-700ZA	1294255
	TANK SET, FUEL *R114CU* (CANDY WINEBERRY RED-U)	--	3	---	1	175A1-MB0-700ZB	1294263
	TANK SET, FUEL *NH1Z* (BLACK-Z)	--	3	---	1	175A1-MB0-701ZA	1851138
	TANK SET, FUEL *R114CU* (CANDY WINEBERRY RED-U)	--	3	---	1	175A1-MB0-701ZB	1851146
11	RUBBER, FUEL TANK FR.	--	3	---	2	17611-MB1-000	1245059
12	RUBBER, FUEL TANK FR.	2	--	---	2	17611-KE8-000	4009635
	RUBBER, FUEL TANK FR.	2	--	---	2	17611-286-000	0153452
13	COLLAR, FUEL TANK FR. MOUNTING	--	3	---	2	17612-MB0-700	1316546
14	RUBBER, FUEL TANK RR.	2	3	---	1	17613-461-000	0909648
15	CAP COMP., FUEL FILLER	2	3	---	1	17620-MB0-007	1245067
	CAP COMP., FUEL FILLER	2	3	---	1	17620-MB0-951	1781368
	CAP COMP., FUEL FILLER	2	3	---	1	17620-MB0-952	2795466
16	METER UNIT, FUEL	2	--	---	1	37800-MB0-671	1247220
	METER UNIT, FUEL	--	3	---	1	37800-MB0-701	2426930
17	GROMMET, SIDE COVER (B)	2	3	---	2	83602-MB0-000	1250463
18	EMBLEM, R. FUEL TANK	2	3	---	1	87121-MB0-000	1250570
19	EMBLEM, L. FUEL TANK	2	3	---	1	87122-MB0-000	1250588
20	LABEL, FR. FORK CAUTION	2	3	---	1	87517-MB0-670	1250679
	LABEL, FR. FORK CAUTION	--	3	---	1	87517-MB0-770ZC	1406503
21	LABEL, DRIVE CAUTION	2	--	---	1	87560-MB0-670	1250695
	LABEL, DRIVE CAUTION *NH1* (BLACK)	--	3	---	1	87560-181-760ZD	1223437
22	COLLAR, FUEL TANK SETTING	--	3	---	1	90324-MB0-700	1310598
23	COLLAR, 8MM	2	--	---	1	90324-300-000	0191809
24	WASHER, 8.3X38	2	--	---	1	90502-461-000	0918854
25	O-RING, 39.5X5	2	3	---	1	91305-MC7-000	1213214

CONTENTS

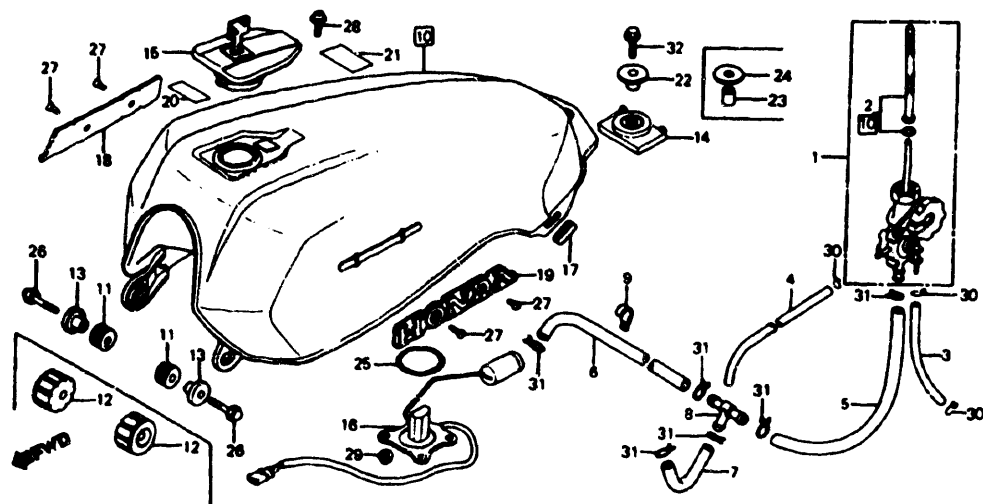
TITLE	PAGE	GRID
AIR CLEANER 82	113	F11
AIR CLEANER 83	116	G1
BATTERY	111	F10
BRAKE CALIPER FR.	90	E12
BRAKE MASTER CYL FR.	74	E4
BRAKE PANEL RR.	94	F2
BRAKE PEDAL	121	G3
CABLE	72	E3
CLUTCH MASTER CYLINDER	76	E5
CONTROL LEVER	74	E4
ELECTRIC PARTS 83	139	G12
FENDER FR.	84	E9
FENDER RR.	132	G9
FINAL DRIVEN GEAR	98	F4
FRAME	146	H4
FUEL TANK	102	F6
GEARSHIFT PEDAL	121	G3
HANDLEBAR	78	E6
HEADLIGHT	68	E1
HORN	82	E8
IGNITION COIL 82	137	G11
INSTRUMENTS	70	E2
MUFFLER	118	G2
RADIATOR	142	H2
SEAT	105	F7
SHOCK ABSORBER FR.	85	E9
SHOCK ABSORBER RR.	130	G8
SIDE COVER	108	F9
SPARK UNIT	132	G9
STAND	126	G6
STEERING STEM	82	E8
STEP	124	G5
SWINGARM	128	G7
SWITCH	72	E3
TAILLIGHT	136	G11
TOOLS	149	H5
TOP BRIDGE	78	E6
TURN SIGNAL	134	G10
WHEEL FR.	92	F1
WHEEL RR.	96	F3
WIRE HARNESS 82	137	G11
WIRE HARNESS 83	139	G12

GRID

F6

VF750S'82 ENGINE NO.; RC07E-2000066 TO 2015996
 VF750S'82 FRAME NO.; RC070-CM000036 TO CM012083
 VF750S'83 ENGINE NO.; RC07E-2100018 TO 2115544
 VF750S'83 FRAME NO.; RC070-DM100006 TO DM108632

FUEL TANK

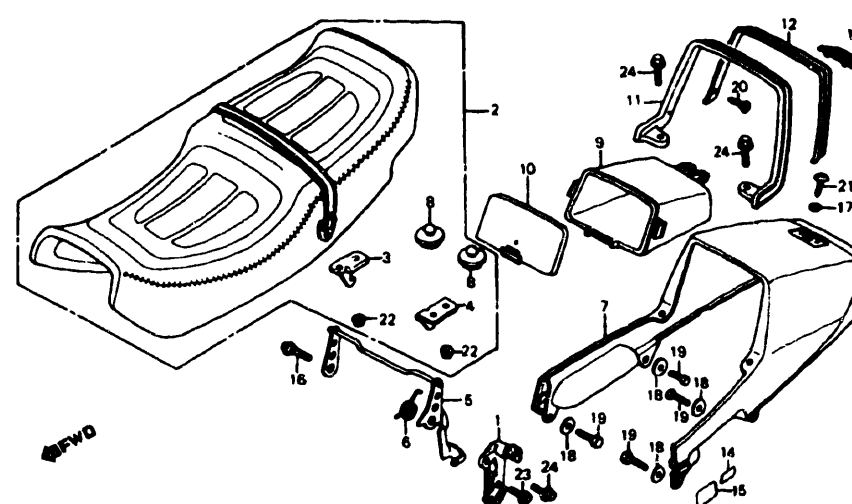


"CAUTION OR WARNING LABELS MUST BE ORDERED SEPARATELY WHEN APPLICABLE"

F14MB0C15

Ref. No.	BLOCK NO.	F-15	VF750S		QTY	PART NUMBER	HONDA CODE
			1	2			
DESCRIPTION			FROM	TO	REQ		
26	BOLT, CAP, 6X20	---	3	-----	2	92600-06020-06	1316991
27	SCREW, OVAL, 3X6	2	3	-----	4	93700-03006-06	0242099
28	SCREW-WASHER, 4X8	2	3	-----	2	93892-04008-08	0634618
29	NUT, FLANGE, 6MM	2	3	-----	4	94050-06000	0471623
30	CLIP, TUBE, B7	2	3	-----	3	95002-02070	0250639
31	CLIP, TUBE, B12	2	---	-----	6	95002-02120	0335034
		---	3	-----	1	95002-02120	0335034
32	BOLT, FLANGE, 8X22	2	3	-----	1	95700-08022-00	0637090
	BOLT, FLANGE, 8X22	2	3	-----	1	95701-08022-00	2652626

SEAT



F14MB0C16

Ref. No.	BLOCK NO.	F-16	VF750S		QTY	PART NUMBER	HONDA CODE
			1	2			
DESCRIPTION			FROM	TO	REQ		
1	HOLDER ASSY.	2	---	-----	1	50710-MB0-003	1249093
	HOLDER, HELMET	---	3	-----	1	50710-MB0-700	1309202
2	SEAT ASSY.	2	---	-----	1	77100-MB0-670	1250109
	SEAT ASSY.	---	3	-----	1	77100-MB0-770	1313469
3	PLATE, R. SEAT LOCK	2	3	-----	1	77102-MB0-000	1265230
4	PLATE, L. SEAT LOCK	2	3	-----	1	77103-MB0-000	1265248
5	BAR, SEAT LOCK	2	3	-----	1	77150-MB0-000	1250141
6	SPRING, SEAT LOCK	2	---	-----	1	77151-MB0-000	1250158
	SPRING, SEAT LOCK	---	3	-----	1	77151-MB0-700	1310358
7	COWL, RR. *NH1* (BLACK)	2	---	-----	1	77200-MB0-000ZA	1250166
	COWL, RR. *R107CU* (CANDY BOURGOGNE RED)	2	---	-----	1	77200-MB0-000ZB	1250174
	COWL, RR. *R114CU* (CANDY WINEBERRY RED-U)	---	3	-----	1	77200-MB0-000ZC	1314335
	COWL, RR. *NH1Z* (BLACK-Z)	---	3	-----	1	77200-MB0-000ZD	1314343

CONTENTS

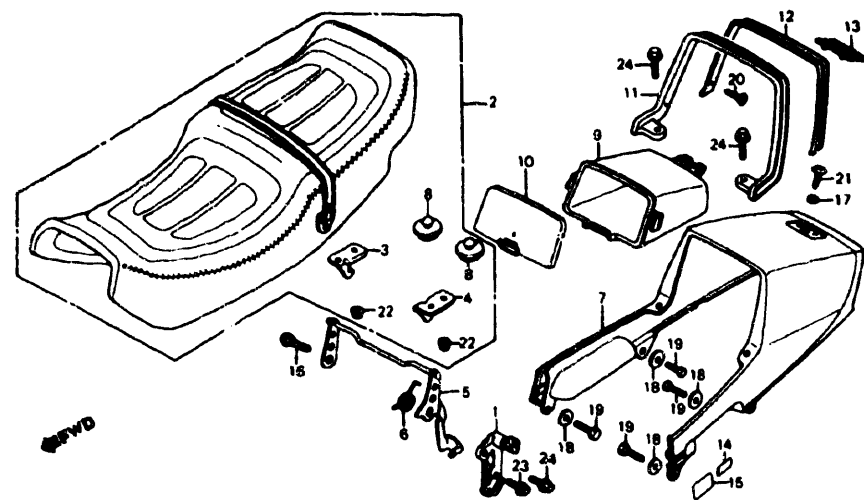
TITLE	PAGE	GRID
AIR CLEANER 82	113	F11
AIR CLEANER 83	116	G1
BATTERY	111	F10
BRAKE CALIPER, FR	90	E12
BRAKE MASTER CYL. FR.	74	E4
BRAKE PANEL, RR	94	F2
BRAKE PEDAL	121	G3
CABLE	72	E3
CLUTCH MASTER CYLINDER	76	E5
CONTROL LEVER	74	E4
ELECTRIC PARTS 83	139	G12
FENDER, FR	84	E9
FENDER, RR	132	G9
FINAL DRIVEN GEAR	98	F4
FRAME	146	H4
FUEL TANK	102	F6
GEARSHIFT PEDAL	121	G3
HANDLEBAR	78	E6
HEADLIGHT	68	E1
HORN	82	E8
IGNITION COIL 82	137	G11
INSTRUMENTS	70	E2
MUFFLER	118	G2
RADIATOR	142	H2
SEAT	105	F7
SHOCK ABSORBER, FR	85	E9
SHOCK ABSORBER, RR	130	G8
SIDE COVER	108	F9
SPARK UNIT	132	G9
STAND	126	G6
STEERING STEM	82	E8
STEP	124	G5
SWINGARM	128	G7
SWITCH	72	E3
TAILLIGHT	136	G11
TOOLS	149	H5
TOP BRIDGE	78	E6
TURN SIGNAL	134	G10
WHEEL, FR	92	F1
WHEEL, RR	96	F3
WIRE HARNESS 82	137	G11
WIRE HARNESS 83	139	G12

GRID

F7

VF750S'82 ENGINE NO.; RC07E-2000066 TO 2015996
 VF750S'82 FRAME NO.; RC070-CM000036 TO CM012083
 VF750S'83 ENGINE NO.; RC07E-2100018 TO 2115544
 VF750S'83 FRAME NO.; RC070-DM100006 TO DM108632

SEAT



F14MBOC16

2 = VF750S'82 3 = VF750S'83		VF750S		QTY	PART NUMBER	HONDA CODE
Ref. No.	BLOCK NO. F-16 DESCRIPTION	1 9 8 2	1 9 8 3			
8	RUBBER, SEAT STOPPER	2	3	2	77211-MB0-000	1250182
9	CASE, RR. COWL	2	3	1	77240-MB0-000	1250190
10	LID, RR. COWL CASE	2	3	1	77241-MB0-000	1250208
11	RAIL, RR. GRAB	2	--	1	77310-MB0-000	1250216
	RAIL, RR. GRAB	2	3	1	77310-MB0-700	1310366
12	COVER, GRAB RAIL	2	--	1	77320-MB0-000	1250224
13	EMBLEM, RR. COWL	2	3	1	87129-MB0-670	1250620
14	LABEL, HELMET HOLDER	2	3	1	87511-323-670	0274811
15	LABEL, HELMET HOLDER	2	3	1	87528-MB0-300	1266212
16	BOLT, FLANGE, 8X15	2	3	1	90186-MB0-000	1251222
17	WASHER, SPECIAL	2	3	1	90431-MB0-000	1251362
18	WASHER, 6MM	2	3	4	90506-634-000	0954016
19	BOLT, HEX., 6X16	2	3	4	92000-06016-0H	0623801
	BOLT, HEX., 6X16	2	3	4	92100-06016-0H	2234896
20	SCREW, TAPPING, 4X10	2	--	2	93902-34280	0583823
21	SCREW, TAPPING, 6X12	2	3	1	93903-36120	1237379

2 = VF750S'82 3 = VF750S'83		VF750S		QTY	PART NUMBER	HONDA CODE
Ref. No.	BLOCK NO. F-16 DESCRIPTION	1 9 8 2	1 9 8 3			
22	NUT, FLANGE, 6MM	2	3	2	94050-06080	0612689
23	BOLT, FLANGE, 6X20	2	3	2	95700-06020-08	0340331
	BOLT, FLANGE, 6X20	2	3	2	95701-06020-08	2374759
24	BOLT, FLANGE, 8X25	2	3	3	95700-08025-08	0371997
	BOLT, FLANGE, 8X25	2	3	3	95700-08025-18	1251909
	BOLT, FLANGE, 8X25	2	3	3	95701-08025-08	2563252

CONTENTS

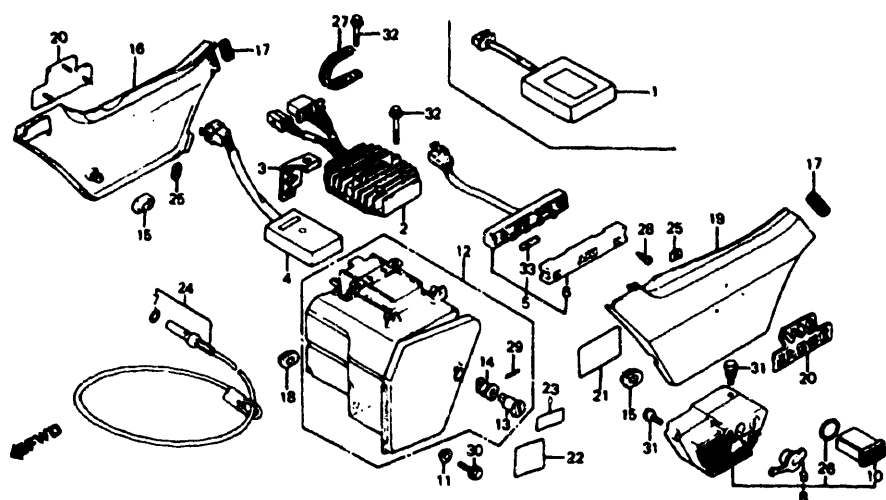
TITLE	PAGE	GRID
AIR CLEANER 82	113	F11
AIR CLEANER 83	116	G1
BATTERY	111	F10
BRAKE CALIPER, FR	90	E12
BRAKE MASTER CYL, FR	74	E4
BRAKE PANEL, RR	94	F2
BRAKE PEDAL	121	G3
CABLE	72	E3
CLUTCH MASTER CYLINDER	76	E5
CONTROL LEVER	74	E4
ELECTRIC PARTS 83	139	G12
FENDER, FR	84	E9
FENDER, RR	132	G9
FINAL DRIVEN GEAR	98	F4
FRAME	146	H4
FUEL TANK	102	F6
GEARSHIFT PEDAL	121	G3
HANDLEBAR	78	E6
HEADLIGHT	68	E1
HORN	82	E8
IGNITION COIL 82	137	G11
INSTRUMENTS	70	E2
MUFFLER	118	G2
RADIATOR	142	H2
SEAT	105	F7
SHOCK ABSORBER, FR	85	E9
SHOCK ABSORBER, RR	130	G8
SIDE COVER	108	F9
SPARK UNIT	132	G9
STAND	126	G6
STEERING STEM	82	E8
STEP	124	G5
SWINGARM	128	G7
SWITCH	72	E3
TAILLIGHT	136	G11
TOOLS	149	H5
TOP BRIDGE	78	E6
TURN SIGNAL	134	G10
WHEEL, FR	92	F1
WHEEL, RR	96	F3
WIRE HARNESS 82	137	G11
WIRE HARNESS 83	139	G12

GRID

F8

VF750S'82 ENGINE NO.; RC07E-2000066 TO 2015996
 VF750S'82 FRAME NO.; RC070-CM000036 TO CM012083
 VF750S'83 ENGINE NO.; RC07E-2100018 TO 2115544
 VF750S'83 FRAME NO.; RC070-DM100006 TO DM108632

SIDE COVER



"CAUTION OR WARNING LABELS MUST BE ORDERED SEPARATELY WHEN APPLICABLE"

F14MB0C17

Ref. No.	BLOCK NO. F-17	DESCRIPTION	VF750S		QTY REQ	PART NUMBER	HONDA CODE
			2	3			
2 = VF750S'82 3 = VF750S'83			1	1			
			9	9			
			8	8			
			2	3			
			FRAME SERIAL NUMBER				
			FROM	TO			
1		SPARK UNIT (HITACHI)	--	3	1	30400-MB0-005	1245943
		SPARK UNIT (ND)	--	3	1	30400-MB1-701	1291327
2		RECTIFIER ASSY., REGULATE	2	3	1	31600-MB0-008	1246164
3		CLAMP, RECTIFIER WIRE	--	3	1	31605-MB0-700	1515196
4		CANCEL UNIT, TURN SIGNAL	2	--	1	35220-MB0-000	1246826
5		BOX ASSY., FUSE (DAIICHI)	2	3	1	38200-MB0-005	1247295
6		COVER, FUSE BOX	2	3	1	38202-MB0-000	1247311
7		O-RING	2	--	1	51996-SA5-800	1266147
		O-RING, 14MM (ARAI)	--	3	1	91353-671-003	0949883
		O-RING, 14MM (NOK)	--	3	1	91353-671-004	0949891
8		ALARM UNIT, LOCKING	2	--	1	53610-MB0-007	1265164
		ALARM UNIT, LOCKING	--	3	1	53610-MB0-701	1412170
9		CAP, DUST	2	--	1	53611-MB0-007	1260702
		CAP, DUST	--	3	1	53611-MB0-701	1412188
10		CASE, BATTERY	2	--	1	53612-MB0-007	1260710
		CASE COMP., BATTERY	--	3	1	53612-MB0-701	1412196

Ref. No.	BLOCK NO. F-17	DESCRIPTION	VF750S		QTY REQ	PART NUMBER	HONDA CODE
			2	3			
2 = VF750S'82 3 = VF750S'83			1	1			
			9	9			
			8	8			
			2	3			
			FRAME SERIAL NUMBER				
			FROM	TO			
11		COLLAR, FR. FENDER	2	3	1	61105-MA3-000	1252519
12		BOX ASSY., TOOL	2	3	1	83500-MB0-000	1250356
13		BODY, KEY	2	3	1	83507-422-000	1223171
14		STOPPER, KEY BODY	2	3	1	83508-KBG-000	3776358
		STOPPER, KEY BODY	2	3	1	83508-438-000	0769190
15		GROMMET, AIR CLEANER CASE	2	3	2	83551-300-000	0204990
16		COVER, R. SIDE *NH1* (BLACK)	2	--	1	83600-MB0-670ZA	1250430
		COVER, R. SIDE *R107CU* (CANDY BOURGOGNE RED)	2	--	1	83600-MB0-670ZB	1250448
		COVER, R. SIDE *R114CU* (CANDY WINEBERRY RED-U)	--	3	1	83600-MB0-670ZC	1314376
		COVER, R. SIDE *NH12* (BLACK-Z)	--	3	1	83600-MB0-670ZD	1314384
17		GROMMET A, SIDE COVER	2	3	2	83601-MB0-000	1250455
18		RUBBER B, BATTERY TRAY MOUNT	2	3	1	83615-303-000	0111831
19		COVER, L. SIDE *NH1* (BLACK)	2	--	1	83700-MB0-670ZA	1250513
		COVER, L. SIDE *R107CU* (CANDY BOURGOGNE RED)	2	--	1	83700-MB0-670ZB	1250521
		COVER, L. SIDE *R114CU* (CANDY WINEBERRY RED-U)	--	3	1	83700-MB0-670ZC	1314400
		COVER, L. SIDE *NH12* (BLACK-Z)	--	3	1	83700-MB0-670ZD	1314418
20		EMBLEM, SIDE COVER (V45 SABRE) ...	2	3	2	87127-MB0-670	1250612
		EMBLEM, SIDE COVER (V45 SABRE) ...	2	3	2	87127-MB0-970ZA	3481454
21		MARK, RADIATOR CAUTION	2	3	1	87508-415-670	0670471
22		MARK, ACCESSORIES & LOADING CAUTION	2	3	1	87512-MA4-670	0952184
23		LABEL, RR.	2	--	1	87518-MB0-670	1250687
		LABEL, RR. CUSHION CAUTION	--	3	1	87518-MB0-770	1316942
24		CABLE, SECURITY LOCKING	2	--	1	88800-MB0-017	1267376
		CABLE, SECURITY LOCKING	--	3	1	88800-MB0-771	1412212
		CABLE, SECURITY LOCKING	--	3	1	88800-MB0-772	2449312
25		NUT, SPEED, 3MM	2	3	6	90315-504-000	0527341

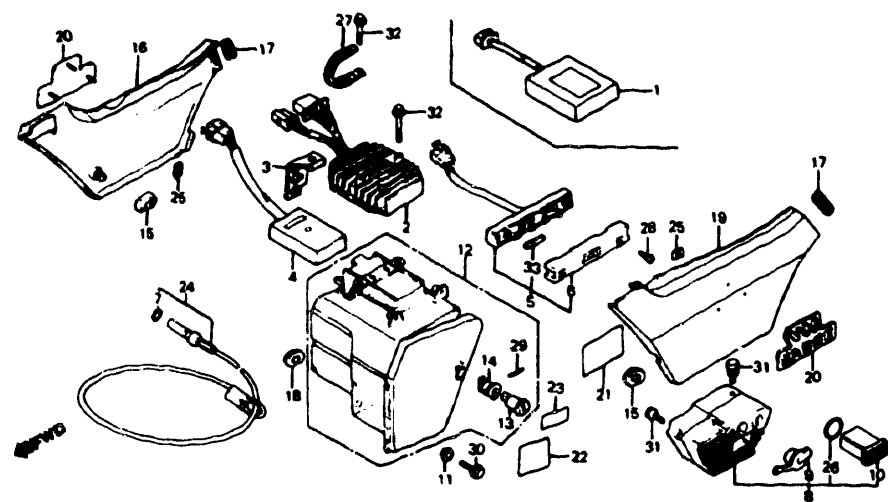
CONTENTS

TITLE	PAGE	GRID
AIR CLEANER 82	113	F11
AIR CLEANER 83	116	G1
BATTERY	111	F10
BRAKE CALIPER, FR	90	E12
BRAKE MASTER CYL. FR	74	E4
BRAKE PANEL, RR	94	F2
BRAKE PEDAL	121	G3
CABLE	72	E3
CLUTCH MASTER CYLINDER	76	E5
CONTROL LEVER	74	E4
ELECTRIC PARTS 83	139	G12
FENDER, FR	84	E9
FENDER, RR	132	G9
FINAL DRIVEN GEAR	98	F4
FRAME	146	H4
FUEL TANK	102	F6
GEARSHIFT PEDAL	121	G3
HANDLEBAR	78	E6
HEADLIGHT	68	E1
HORN	82	E8
IGNITION COIL 82	137	G11
INSTRUMENTS	70	E2
MUFFLER	118	G2
RADIATOR	142	H2
SEAT	105	F7
SHOCK ABSORBER, FR	85	E9
SHOCK ABSORBER, RR	130	G8
SIDE COVER	108	F9
SPARK UNIT	132	G9
STAND	126	G6
STEERING STEM	82	E8
STEP	124	G5
SWINGARM	128	G7
SWITCH	72	E3
TAILLIGHT	136	G11
TOOLS	149	H5
TOP BRIDGE	78	E6
TURN SIGNAL	134	G10
WHEEL, FR	92	F1
WHEEL, RR	96	F3
WIRE HARNESS 82	137	G11
WIRE HARNESS 83	139	G12

GRID

F9

SIDE COVER



"CAUTION OR WARNING LABELS MUST BE ORDERED SEPARATELY WHEN APPLICABLE"

F14MB0C17

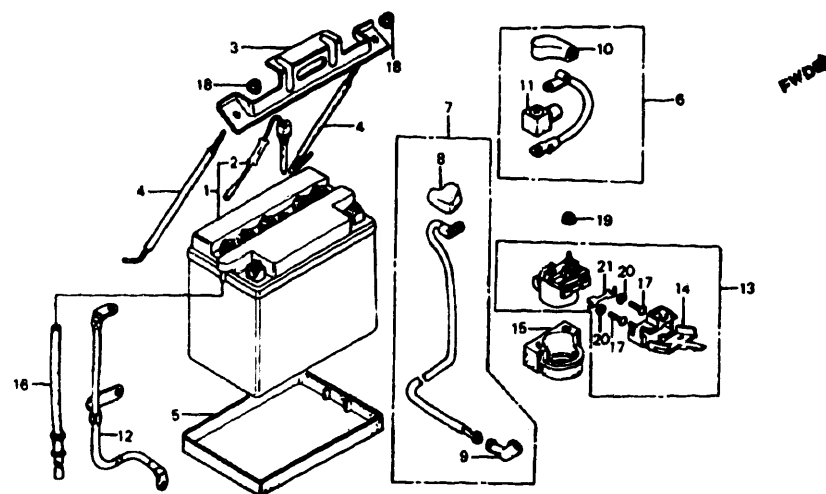
Ref. No.	BLOCK NO. DESCRIPTION	VF750S		QTY REQ	PART NUMBER	HONDA CODE
		1	9			
		8	8	FRAME SERIAL NUMBER		
		2	3	FROM	TO	
2	O-RING, 24.5X2 (ARAI)	--	--	1	91354-SA5-952	1171321
3	O-RING, BATTERY CASE	--	3	1	53614-MB0-701	1412204
2	CLAMP	2	3	1	91403-663-000	1251669
2	SCREW, TAPPING, 4X12	2	3	2	93903-14320	1251800
2	PIN, SPRING, 2X14	2	3	1	94305-20141	0769208
2	BOLT, FLANGE, 6X10	2	3	1	95700-06010-08	0344952
2	BOLT, FLANGE, 6X10	2	3	1	95701-06010-08	2204709
2	BOLT, FLANGE, 6X12	2	3	4	95700-06012-07	0481176
2	BOLT, FLANGE, 6X12	2	3	4	95701-06012-07	2387108
2	BOLT, FLANGE, 6X35	2	3	2	95700-06035-08	0498238
2	BOLT, FLANGE, 6X35	2	3	2	95701-06035-08	2170801
2	FUSE B (15A)	2	3	5	98200-21500	0252387

110 AMERICAN HONDA MOTOR CO. LTD. 1983

F10

VF750S'82 ENGINE NO.; RC07E-2000066 TO 2015996
 VF750S'82 FRAME NO.; RC070-CM000036 TO CM012083
 VF750S'83 ENGINE NO.; RC07E-2100018 TO 2115544
 VF750S'83 FRAME NO.; RC070-DM100006 TO DM108632

BATTERY



F14MB0C18

Ref. No.	BLOCK NO. DESCRIPTION	VF750S		QTY REQ	PART NUMBER	HONDA CODE
		1	9			
		8	8	FRAME SERIAL NUMBER		
		2	3	FROM	TO	
2	BATTERY (12V 14AH YUASA)	2	3	1	31500-MB0-671	1246107
2	BATTERY ASSY. (YUASA)	2	3	1	31500-415-601	0905455
2	BATTERY ASSY. (YUASA)	2	3	1	31500-415-671	0668244
2	BATTERY ASSY. (YUASA)	2	3	1	31500-425-671	0742981
2	BATTERY ASSY. (YUASA)	2	3	1	31500-425-677	1550631
2	BATTERY (12V14)	2	3	1	31500-461-770	0952614
2	BATTERY (12V14)	2	3	1	31500-461-771	1053990
2	BATTERY (12V14)	2	3	1	31500-461-772	1288521
2	BATTERY (12V 14AH YUASA)	2	3	1	31500-461-780	1054006
2	SENSOR, BATTERY LEVEL (YUASA)	2	3	1	31510-MB0-007	1246123
2	PLATE, BATTERY SETTING	2	3	1	31512-MB0-000	1246131
2	BOLT, BATTERY SETTING	2	3	2	31513-MB0-000	1246149
2	RUBBER, BATTERY	2	3	1	31521-MB0-000	1246156
2	CABLE, BATTERY STARTER	2	3	1	32401-MB0-000	1246222
2	CABLE, STARTER MOTOR	2	3	1	32402-MB0-000	1246248
2	COVER, MAGNETIC SWITCH TERMINAL	2	3	1	32411-MB0-000	1275734

AMERICAN HONDA MOTOR CO. LTD. 1983

111

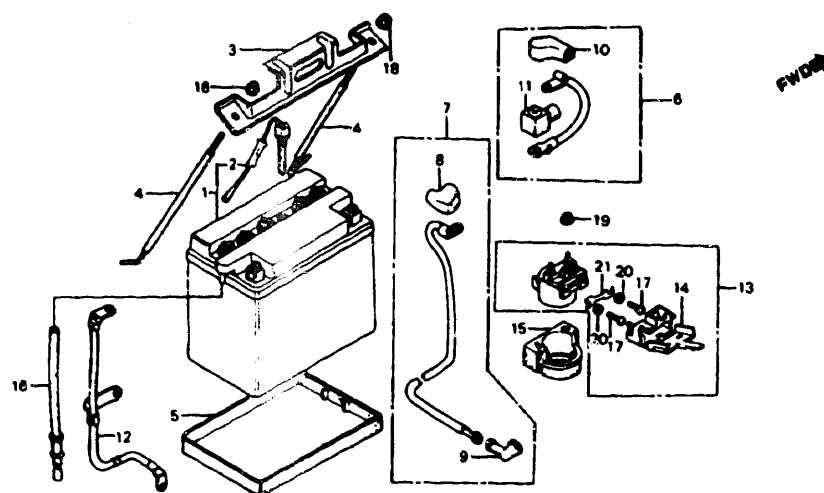
CONTENTS

TITLE	PAGE	GRID
AIR CLEANER 82	113	F11
AIR CLEANER 83	116	G1
BATTERY	111	F10
BRAKE CALIPER, FR	90	E12
BRAKE MASTER CYL. FR	74	E4
BRAKE PANEL RR	94	F2
BRAKE PEDAL	121	G3
CABLE	72	E3
CLUTCH MASTER CYLINDER	76	E5
CONTROL LEVER	74	E4
ELECTRIC PARTS 83	139	G12
FENDER, FR	84	E9
FENDER, RR	132	G9
FINAL DRIVEN GEAR	98	F4
FRAME	146	H4
FUEL TANK	102	F6
GEARSHIFT PEDAL	121	G3
HANDLEBAR	78	E6
HEADLIGHT	68	E1
HORN	82	E8
IGNITION COIL 82	137	G11
INSTRUMENTS	70	E2
MUFFLER	118	G2
RADIATOR	142	H2
SEAT	105	F7
SHOCK ABSORBER, FR	85	E9
SHOCK ABSORBER, RR	130	G8
SIDE COVER	108	F9
SPARK UNIT	132	G9
STAND	126	G6
STEERING STEM	82	E8
STEP	124	G5
SWINGARM	128	G7
SWITCH	72	E3
TAILLIGHT	136	G11
TOOLS	149	H5
TOP BRIDGE	78	E6
TURN SIGNAL	134	G10
WHEEL, FR	92	F1
WHEEL, RR	96	F3
WIRE HARNESS 82	137	G11
WIRE HARNESS 83	139	G12

GRID

F10

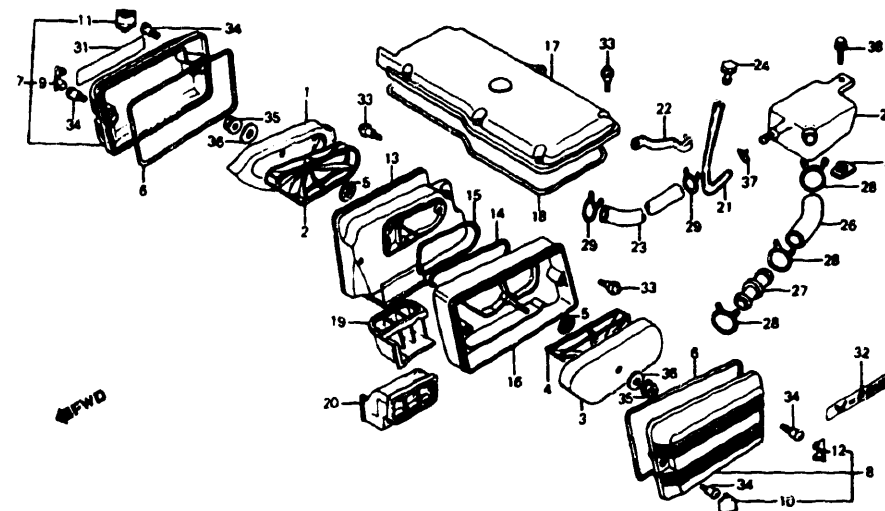
BATTERY



F14MB0C18

2 = VF750S'82 3 = VF750S'83	VF750S						
	1 1 9 9 8 8 2 3						
		FRAME SERIAL NUMBER		QTY			
Ref. BLOCK NO. F-18		FROM TO		REQ	PART NUMBER	HONDA CODE	
No. DESCRIPTION	2 3						
9 COVER, STARTING MOTOR TERMINAL ..	2 3	-----	-----	1	32411-230-000	0208652	
COVER, STARTING MOTOR TERMINAL ..	2 3	-----	-----	1	32411-253-000	0177360	
10 COVER, MAGNETIC SWITCH TERMINAL .	2 3	-----	-----	1	32411-MB0-000	1275734	
COVER, MAGNETIC SWITCH TERMINAL .	2 3	-----	-----	1	32412-MB0-000	1246263	
11 COVER B, TERMINAL	2 3	-----	-----	1	32414-MB0-000	1246271	
12 CABLE, BATTERY GROUND	2 --	-----	-----	1	32601-MB0-000	1246289	
CABLE, BATTERY GROUND	-- 3	-----	-----	1	32601-MB0-700	1316611	
13 SWITCH ASSY., STARTER MAGNETIC ..	2 3	-----	-----	1	35850-MB0-007	1246958	
14 COVER, FUSE	2 3	-----	-----	1	35852-MB0-007	1246966	
15 RUBBER, SHOCK	2 3	-----	-----	1	35856-MB0-007	1246974	
16 TUBE, BATTERY	2 3	-----	-----	1	50328-MB0-000	1248657	
17 SCREW, PAN, 4X6	2 3	-----	-----	2	93500-04006-0H	0285627	
18 NUT, FLANGE, 5MM	2 3	-----	-----	2	94050-05080	0612671	
19 NUT, FLANGE, 6MM	2 3	-----	-----	2	94050-06000	0471623	
20 WASHER, SPRING, 4MM	2 3	-----	-----	2	94111-04800	0346114	
21 FUSE F (30A)	2 3	-----	-----	2	98200-53000	0412676	

AIR CLEANER - 82



F14MB0C19

2 = VF750S'82 3 = VF750S'83	VF750S						
	1 1 9 9 8 8 2 3						
		FRAME SERIAL NUMBER		QTY			
Ref. BLOCK NO. F-19		FROM TO		REQ	PART NUMBER	HONDA CODE	
No. DESCRIPTION	2 3						
1 ELEMENT, R. AIR CLEANER	2 --	-----	-----	1	17210-MB0-000	1244391	
2 FRAME, R. AIR CLEANER ELEMENT	2 --	-----	-----	1	17214-MB0-000	1244417	
3 ELEMENT, L. AIR CLEANER	2 --	-----	-----	1	17215-MB0-000	1244425	
4 FRAME, L. AIR CLEANER ELEMENT	2 --	-----	-----	1	17216-MB0-000	1244441	
5 GASKET, AIR CLEANER ELEMENT	2 --	-----	-----	2	17217-MB0-000	1244458	
6 GASKET, AIR CLEANER COVER	2 --	-----	-----	2	17219-MB0-000	1244466	
7 COVER, R. AIR CLEANER	2 --	-----	-----	1	17220-MB0-000	1244474	
8 COVER, L. AIR CLEANER	2 --	-----	-----	1	17221-MB0-000	1244490	
9 CAP A, R.	2 --	-----	-----	1	17225-MB0-000	1244516	
10 CAP A, L.	2 --	-----	-----	1	17226-MB0-000	1244524	
11 CAP B, R.	2 --	-----	-----	1	17227-MB0-000	1244532	
12 CAP B, L.	2 --	-----	-----	1	17228-MB0-000	1244540	
13 CASE, R. AIR CLEANER	2 --	-----	-----	1	17230-MB0-000	1244557	
14 GASKET, L. AIR CLEANER CASE	2 --	-----	-----	1	17231-MB0-000	1244573	
15 GASKET, AIR CLEANER COVER	2 --	-----	-----	1	17222-MN4-405	2941573	
GASKET, R. AIR CLEANER CASE	2 --	-----	-----	1	17232-MB0-000	1244599	

CONTENTS

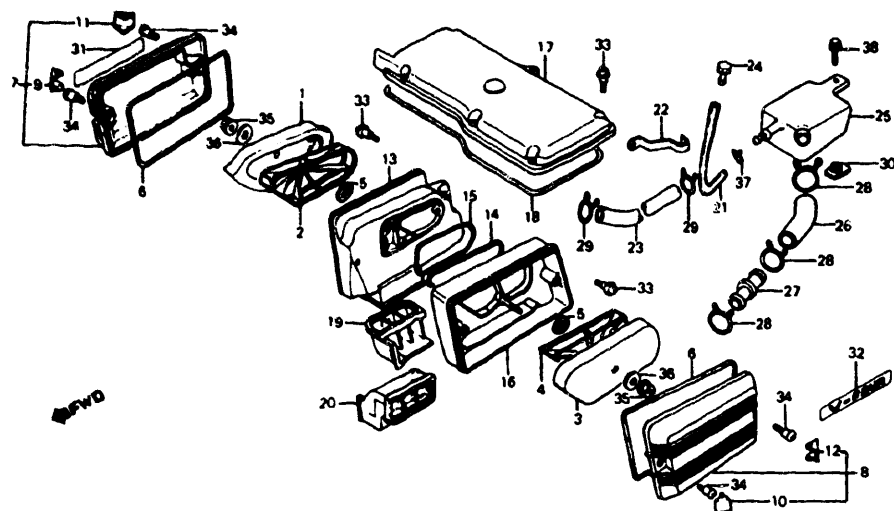
TITLE	PAGE	GRID
AIR CLEANER 82	113	F11
AIR CLEANER 83	116	G1
BATTERY	111	F10
BRAKE CALIPER FR	90	E12
BRAKE MASTER CYL FR	74	E4
BRAKE PEDAL RR	94	F2
BRAKE PEDAL	121	G3
CABLE	72	E3
CLUTCH MASTER CYLINDER	76	E5
CONTROL LEVER	74	E4
ELECTRIC PARTS 83	139	G12
FENDER FR	84	E9
FENDER RR	132	G9
FINAL DRIVEN GEAR	98	F4
FRAME	146	H4
FUEL TANK	102	F6
GEARSHIFT PEDAL	121	G3
HANDLEBAR	78	E6
HEADLIGHT	68	E1
HORN	82	E8
IGNITION COIL 82	137	G11
INSTRUMENTS	70	E2
MUFFLER	118	G2
RADIATOR	142	H2
SEAT	105	F7
SHOCK ABSORBER FR	85	E9
SHOCK ABSORBER RR	130	G8
SIDE COVER	108	F9
SPARK UNIT	132	G9
STAND	126	G6
STEERING STEM	82	E8
STEP	124	G5
SWINGARM	128	G7
SWITCH	72	E3
TAILLIGHT	136	G11
TOOLS	149	H5
TOP BRIDGE	78	E6
TURN SIGNAL	134	G10
WHEEL FR	92	F1
WHEEL RR	96	F3
WIRE HARNESS 82	137	G11
WIRE HARNESS 83	139	G12

GRID

F11

VF750S'82 ENGINE NO.; RC07E-2000066 TO 2015996
 VF750S'82 FRAME NO.; RC070-CM000036 TO CM012083
 VF750S'83 ENGINE NO.; RC07E-2100018 TO 2115544
 VF750S'83 FRAME NO.; RC070-DM100006 TO DM108632

AIR CLEANER - 82



F14MB0C19

Ref. No.	BLOCK NO. F-19	VF750S		FRAME SERIAL NUMBER	QTY REQ	PART NUMBER	HONDA CODE
		1982	1983				
		2	--	---	---	1	17235-MB0-000 1244615
		2	--	---	---	1	17250-MB0-000 1244649
		2	--	---	---	1	17250-MB0-010 1432186
		2	--	---	---	1	17222-MN4-405 2941573
		2	--	---	---	1	17251-MB0-000 1244656
		2	--	---	---	1	17254-MB0-670 1244672
		2	--	---	---	1	17255-MB0-670 1244698
		2	--	---	---	1	17356-MB0-000 1244763
		2	--	---	---	1	17357-MB0-000 1244771
		2	--	---	---	1	17358-MB0-000 1244789
		2	--	---	---	1	17370-419-700 0669002
		2	--	---	---	1	17551-MB0-000 1244979
		2	--	---	---	1	17552-MB0-000 1244995
		2	--	---	---	1	17553-MB0-000 1245018
		2	--	---	---	3	17554-MB0-000 1260264
		2	--	---	---	2	18534-634-670 0576165

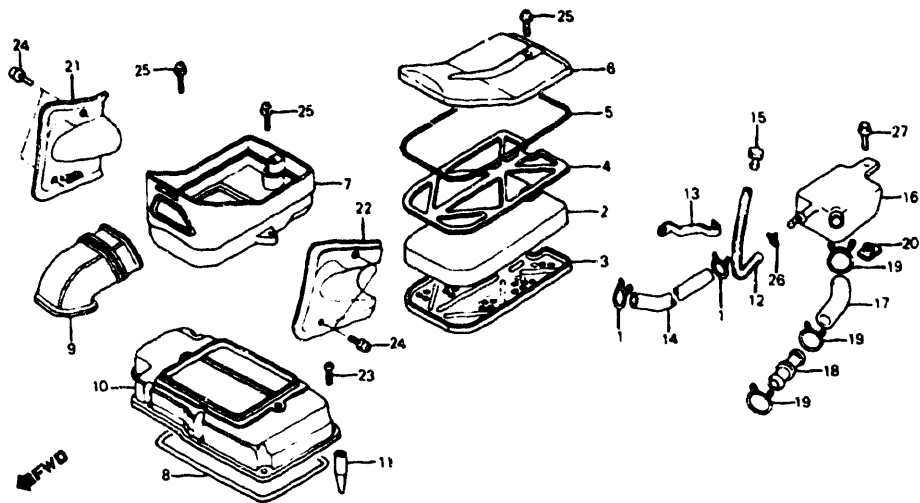
VF750S'82 ENGINE NO.; RC07E-2000066 TO 2015996
 VF750S'82 FRAME NO.; RC070-CM000036 TO CM012083
 VF750S'83 ENGINE NO.; RC07E-2100018 TO 2115544
 VF750S'83 FRAME NO.; RC070-DM100066 TO DM108632

Ref. No.	BLOCK NO. F-19	VF750S		FRAME SERIAL NUMBER	QTY REQ	PART NUMBER	HONDA CODE
		1982	1983				
		2	--	---	---	1	61304-958-003 0955575
		2	--	---	---	1	87125-MB0-000 1250596
		2	--	---	---	1	87126-MB0-000 1250604
		2	--	---	---	12	90141-MB0-000 1251024
		2	--	---	---	4	90142-MB0-000 1251040
		2	--	---	---	2	94050-06000 0471623
		2	--	---	---	2	94103-05800 0795971
		2	--	---	---	1	95002-80000 0073700
		2	--	---	---	1	95700-06010-08 0344952
		2	--	---	---	1	95701-06010-08 2204709

CONTENTS

TITLE	PAGE	GRID
AIR CLEANER 82	113	F11
AIR CLEANER 83	116	G1
BATTERY	111	F10
BRAKE CALIPER, FR.	90	E12
BRAKE MASTER CYL, FR.	74	E4
BRAKE PANEL, RR.	84	F2
BRAKE PEDAL	121	G3
CABLE	72	E3
CLUTCH MASTER CYLINDER	76	E5
CONTROL LEVER	74	E4
ELECTRIC PARTS 83	139	G12
FENDER, FR.	84	E9
FENDER, RR.	132	G9
FINAL DRIVEN GEAR	98	F4
FRAME	146	H4
FUEL TANK	102	F6
GEARSHIFT PEDAL	121	G3
HANDLEBAR	78	E6
HEADLIGHT	68	E1
HORN	82	E8
IGNITION COIL 82	137	G11
INSTRUMENTS	70	E2
MUFFLER	118	G2
RADIATOR	142	H2
SEAT	105	F7
SHOCK ABSORBER, FR.	85	E9
SHOCK ABSORBER, RR.	130	G8
SIDE COVER	108	F9
SPARK UNIT	132	G9
STAND	126	G6
STEERING STEM	82	E8
STEP	124	G5
SWINGARM	128	G7
SWITCH	72	E3
TAILLIGHT	136	G11
TOOLS	149	H5
TOP BRIDGE	78	E6
TURN SIGNAL	134	G10
WHEEL, FR.	92	F1
WHEEL, RR.	96	F3
WIRE HARNESS 82	137	G11
WIRE HARNESS 83	139	G12

AIR CLEANER - 83



F14MBOC1901

2 = VF750S'82 3 = VF750S'83		VF750S		QTY	PART NUMBER	HONDA CODE
Ref. No.	BLOCK NO. F-19-1	1 9 8 2	1 9 8 3			
No.	DESCRIPTION	FRAME SERIAL NUMBER		REQ		
		FROM	TO			
1	CLIP, BREATHER TUBE	--	3	2	15772-551-000	0501353
	CLIP, BREATHER TUBE	--	3	2	15772-551-680	0531087
2	ELEMENT, AIR CLEANER	--	3	1	17210-MB0-700	1307776
3	PLATE A, ELEMENT SETTING	--	3	1	17211-MB0-700	1307784
4	PLATE B, ELEMENT SETTING	--	3	1	17212-MB0-700	1307800
5	GASKET, AIR CLEANER COVER	--	3	1	17219-MB0-000	1244466
6	COVER, AIR CLEANER CASE	--	3	1	17220-MB0-700	1307826
	COVER, AIR CLEANER CASE	--	3	1	17220-MB0-701	2271427
7	CASE, AIR CLEANER	--	3	1	17230-MB0-700	1307859
8	GASKET, AIR CLEANER COVER	--	3	1	17222-MN4-405	2941573
	SEAL, AIR CLEANER BASE	--	3	1	17232-MB1-000	1244607
9	DUCT, AIR CLEANER IN.	--	3	1	17234-MB0-770	1431899
10	COVER, AIR CLEANER BASE	--	3	1	17250-MB0-505	3684347
	COVER, AIR CLEANER BASE	--	3	1	17250-MB0-700	1307883
11	TUBE, AIR CLEANER	--	3	1	17259-MB1-000	1260249
12	TUBE, BREATHER DRAIN	--	3	1	17356-MB0-000	1244763

2 = VF750S'82 3 = VF750S'83		VF750S		QTY	PART NUMBER	HONDA CODE
Ref. No.	BLOCK NO. F-19-1	1 9 8 2	1 9 8 3			
No.	DESCRIPTION	FRAME SERIAL NUMBER		REQ		
		FROM	TO			
13	CLAMP, DRAIN TUBE	--	3	1	17357-MB0-000	1244771
14	TUBE, AIR CLEANER BREATHER	--	3	1	17358-MB0-000	1244789
15	PLUG, BREATHER TUBE	--	3	1	17370-419-700	0669002
16	TANK, STORAGE	--	3	1	17551-MB0-000	1244979
17	TUBE B, BREATHER	--	3	1	17552-MB0-000	1244995
18	JOINT, BREATHER	--	3	1	17553-MB0-000	1245018
19	CLIP, BREATHER TUBE	--	3	3	17554-MB0-000	1260264
20	NUT, SPECIAL, 6X7	--	3	1	61304-958-003	0955575
21	COVER, R. FR. SIDE	--	3	1	61402-MB0-700	1316918
22	COVER, L. FR. SIDE	--	3	1	61403-MB0-700	1316926
23	SCREW, PAN, 4X15	--	3	6	90141-MB0-000	1251024
24	SCREW-WASHER, 5X12	--	3	4	93893-05012-07	0692665
25	SCREW-WASHER, 6X20	--	3	3	93893-06020-08	0737874
26	CLIP, TUBE, C12	--	3	1	95002-80000	0073700
27	BOLT, FLANGE, 6X10	--	3	1	95700-06010-08	0344952
	BOLT, FLANGE, 6X10	--	3	1	95701-06010-08	2204709

CONTENTS

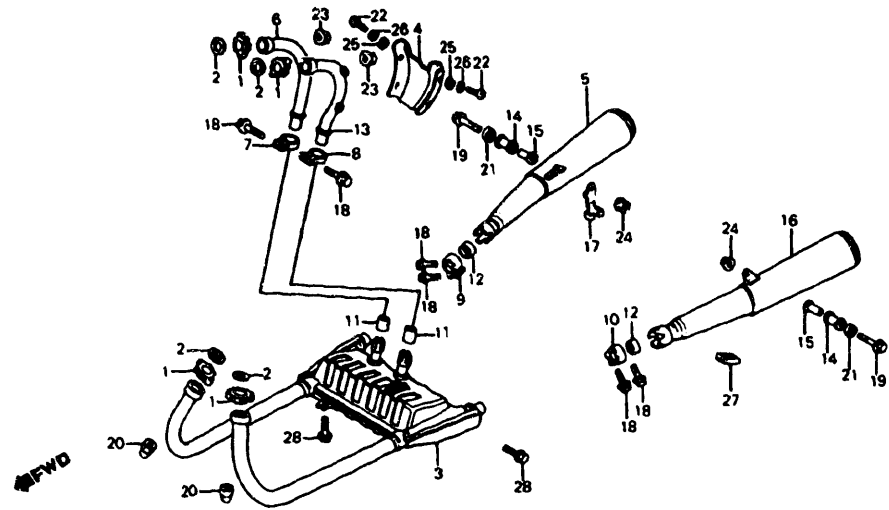
TITLE	PAGE	GRID
AIR CLEANER 82	113	F11
AIR CLEANER 83	116	G1
BATTERY	111	F10
BRAKE CALIPER, FR.	90	E12
BRAKE MASTER CYL, FR.	74	E4
BRAKE PANEL, RR.	94	F2
BRAKE PEDAL	121	G3
CABLE	72	E3
CLUTCH MASTER CYLINDER	76	E5
CONTROL LEVER	74	E4
ELECTRIC PARTS 83	139	G12
FENDER, FR.	84	E9
FENDER, RR.	132	G9
FINAL DRIVEN GEAR	98	F4
FRAME	146	H4
FUEL TANK	102	F6
GEARSHIFT PEDAL	121	G3
HANDLEBAR	78	E6
HEADLIGHT	68	E1
HORN	82	E8
IGNITION COIL 82	137	G11
INSTRUMENTS	70	E2
MUFFLER	118	G2
RADIATOR	142	H2
SEAT	105	F7
SHOCK ABSORBER, FR.	85	E9
SHOCK ABSORBER, RR.	130	G8
SIDE COVER	108	F9
SPARK UNIT	132	G9
STAND	126	G6
STEERING STEM	82	E8
STEP	124	G5
SWINGARM	128	G7
SWITCH	72	E3
TAILLIGHT	136	G11
TOOLS	149	H5
TOP BRIDGE	78	E6
TURN SIGNAL	134	G10
WHEEL, FR.	92	F1
WHEEL, RR.	96	F3
WIRE HARNESS 82	137	G11
WIRE HARNESS 83	139	G12

GRID

G1

VF750S'82 ENGINE NO.; RC07E-2000066 TO 2015996
 VF750S'82 FRAME NO.; RC070-CM000036 TO CM012083
 VF750S'83 ENGINE NO.; RC07E-2100018 TO 2115544
 VF750S'83 FRAME NO.; RC070-DM100006 TO DM108632

MUFFLER



F14MB0C20

Ref. No.	BLOCK NO. F-20	DESCRIPTION	VF750S		FRAME SERIAL NUMBER	QTY REQ	PART NUMBER	HONDA CODE
			1 9 8 2	1 9 8 3				
		2 = VF750S'82 3 = VF750S'83						
1		JOINT, EX. PIPE	2	3		4	18231-MB0-000	1245174
2		GASKET A, EX. PIPE	2	3		4	18291-216-000	0028241
3		CHAMBER COMP., EX.	2			1	18300-MB0-003	1245182
		CHAMBER COMP., EX.	2			1	18300-MB0-771	1372366
		CHAMBER COMP., EX.	2	3		1	18300-MB0-772	1963230
4		PROTECTOR, RR. EX. PIPE	2	3		1	18316-MB0-003	1245208
5		MUFFLER COMP., R.	2			1	18330-MB0-671	1245216
		MUFFLER COMP., R.	2			1	18330-MB0-771	1372374
		MUFFLER COMP., R.		3	DM108332	1	18330-MB0-771	1372374
		MUFFLER COMP., R.	2			1	18330-MB0-772	1517234
		MUFFLER COMP., R.		3	DM108332	1	18330-MB0-772	1517234
		MUFFLER COMP., R.	2	3		1	18330-MB0-773	1517242
		MUFFLER COMP., R.		3	DM108332	1	18330-MB0-773	1517242
		MUFFLER COMP., R.	2	3		1	18330-MB0-777	1745868
		MUFFLER COMP., R.		3	DM108332	1	18330-MB0-777	1745868
6		PIPE, R. RR. EX.	2	3		1	18370-MB0-003	1245232
7		BAND, R. EX.	2	3		1	18373-MB0-003	1245240

Ref. No.	BLOCK NO. F-20	DESCRIPTION	VF750S		FRAME SERIAL NUMBER	QTY REQ	PART NUMBER	HONDA CODE
			1 9 8 2	1 9 8 3				
		2 = VF750S'82 3 = VF750S'83						
8		BAND, L. EX. PIPE	2	3		1	18374-MB0-003	1245257
9		BAND, R. MUFFLER	2	3		1	18376-MB0-003	1265552
10		BAND, L. MUFFLER	2	3		1	18377-MB0-003	1265560
11		GASKET, MUFFLER	2	3		2	18391-MB0-891	2053973
		GASKET, MUFFLER	2	3		2	18391-313-000	0210666
12		GASKET, MUFFLER	2	3		2	18391-317-000	0219170
		GASKET, MUFFLER	2	3		2	18391-317-010	3211349
13		PIPE, L. RR. EX.	2	3		1	18420-MB0-003	1245281
		PIPE, L. RR. EX.	2	3		1	18420-MB0-890	4081360
14		RUBBER, MUFFLER MOUNTING	2	3		2	18421-MB0-000	1245299
15		COLLAR, MUFFLER MOUNTING	2	3		2	18422-MB0-000	1245307
16		MUFFLER COMP., L.	2			1	18430-MB0-671	1245315
		MUFFLER COMP., L.	2			1	18430-MB0-771	1372382
		MUFFLER COMP., L.		3	DM108332	1	18430-MB0-771	1372382
		MUFFLER COMP., L.	2			1	18430-MB0-772	1511377
		MUFFLER COMP., L.		3	DM108332	1	18430-MB0-772	1511377
		MUFFLER COMP., L.	2	3		1	18430-MB0-773	1537133
		MUFFLER COMP., L.		3	DM108332	1	18430-MB0-773	1537133
		MUFFLER COMP., L.	2	3		1	18430-MB0-950	1781467
		MUFFLER COMP., L.		3	DM108332	1	18430-MB0-950	1781467
17		GUIDE, DRAIN PIPE	2	3		1	50527-MB0-000	1248798
18		BOLT, FLANGE, 8X37	2	3		6	90118-471-000	1057215
19		BOLT, SPECIAL FLANGE, 8X45	2	3		2	90158-MB1-000	1260777
20		NUT, CAP, 6MM	2	3		4	90304-438-000	0765693
21		WASHER, SPECIAL, 8MM	2	3		2	90557-MB0-000	1251388
22		SCREW, PAN, 6X8	2	3		4	93500-06008-49	0309120
23		NUT, FLANGE, 6MM	2	3		4	94050-06000	0471623
24		NUT, FLANGE, 8MM	2	3		2	94050-08000	0481143
25		WASHER, PLAIN, 6MM	2	3		4	94101-06000	0059071
		WASHER, PLAIN, 6MM	2	3		4	94101-06080	3136074
		WASHER, PLAIN, 6MM	2	3		4	94101-06800	0345900
26		WASHER, SPRING, 6MM	2	3		4	94111-06000	0058974
27		RUBBER C, STAND STOPPER	2	3		1	95011-63000	0298919

CONTENTS

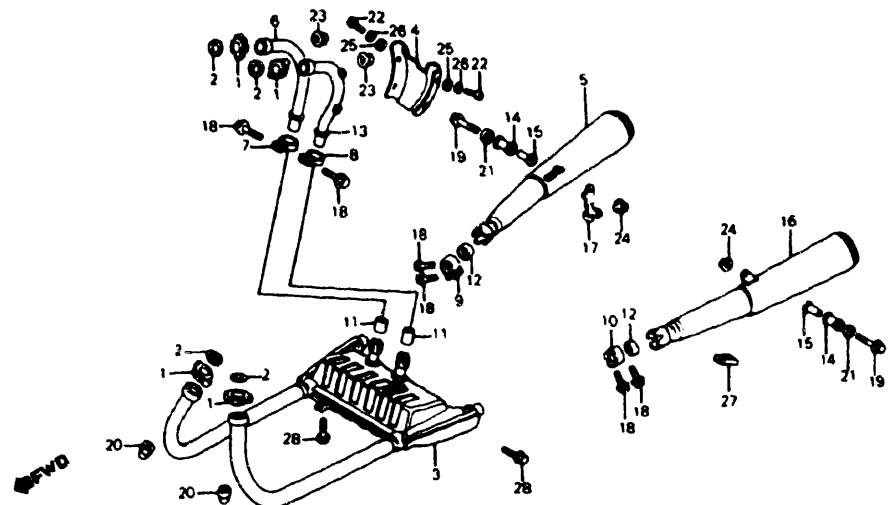
TITLE	PAGE	GRID
AIR CLEANER 82	113	F11
AIR CLEANER 83	116	G1
BATTERY	111	F10
BRAKE CALIPER, FR.	90	E12
BRAKE MASTER CYL. FR.	74	E4
BRAKE PANEL, RR.	94	F2
BRAKE PEDAL	121	G3
CABLE	72	E3
CLUTCH MASTER CYLINDER	76	E5
CONTROL LEVER	74	E4
ELECTRIC PARTS 83	139	G12
FENDER, FR.	84	E9
FENDER, RR.	132	G9
FINAL DRIVEN GEAR	98	F4
FRAME	146	H4
FUEL TANK	102	F6
GEARSHIFT PEDAL	121	G3
HANDLEBAR	78	E6
HEADLIGHT	68	E1
HORN	82	E8
IGNITION COIL 82	137	G11
INSTRUMENTS	70	E2
MUFFLER	118	G2
RADIATOR	142	H2
SEAT	105	F7
SHOCK ABSORBER, FR.	85	E9
SHOCK ABSORBER, RR.	130	G8
SIDE COVER	108	F9
SPARK UNIT	132	G9
STAND	126	G6
STEERING STEM	82	E8
STEP	124	G5
SWINGARM	128	G7
SWITCH	72	E3
TAILLIGHT	136	G11
TOOLS	149	H5
TOP BRIDGE	78	E6
TURN SIGNAL	134	G10
WHEEL, FR.	92	F1
WHEEL, RR.	96	F3
WIRE HARNESS 82	137	G11
WIRE HARNESS 83	139	G12

GRID

G2

VF750S'82 ENGINE NO.; RC07E-2000066 TO 2015996
 VF750S'82 FRAME NO.; RC070-CM000036 TO CM012083
 VF750S'83 ENGINE NO.; RC07E-2100018 TO 2115544
 VF750S'83 FRAME NO.; RC070-DM100006 TO DM108632

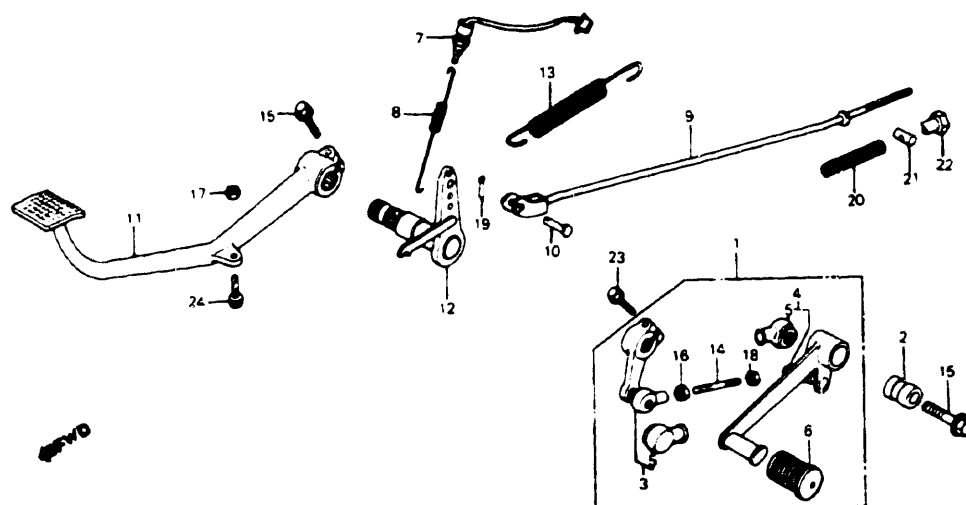
MUFFLER



F14MB0C20

Ref. No.	BLOCK NO. F-20 DESCRIPTION	VF750S		QTY REQ	PART NUMBER	HONDA CODE
		1	1			
28	BOLT, FLANGE, 6X18	9	9	2	95700-06018-08	0252270
		8	8			
3	BOLT, FLANGE, 6X20	2	3	2	95700-06018-08	0252270
		2	3			
3	BOLT, FLANGE, 6X20	2	3	2	90003-MB2-000	1846799
		2	3			
3	BOLT, FLANGE, 6X20	2	3	2	90003-MC7-000	1210566
		2	3			

BRAKE PEDAL • GEARSHIFT PEDAL



F14MB0C21

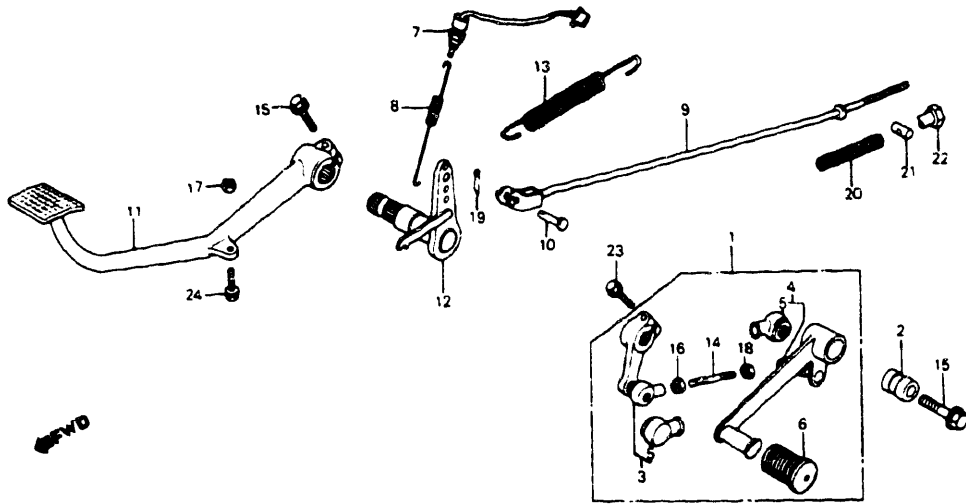
Ref. No.	BLOCK NO. F-21 DESCRIPTION	VF750S		QTY REQ	PART NUMBER	HONDA CODE
		1	1			
2	COLLAR, GEAR CHANGE PEDAL PIVOT	9	9	1	24700-MB0-000	1245844
		8	8			
3	COLLAR, GEARSHIFT PEDAL PIVOT	2	3	1	24700-MB0-700	1308212
		2	3			
2	ARM COMP., GEARSHIFT	9	9	1	24705-MB0-000	1245869
		8	8			
3	ARM COMP., GEARSHIFT	2	3	1	24705-MT6-000	3038601
		2	3			
2	PEDAL COMP., GEARSHIFT	9	9	1	24710-MB0-000	1245877
		8	8			
2	COVER, DUST	2	3	1	24710-MB0-700	1308220
		2	3			
2	RUBBER, GEARSHIFT PEDAL	2	3	1	24720-MB0-000	1245885
		2	3			
2	SWITCH ASSY., RR. STOP	2	3	2	24724-422-000	0694869
		2	3			
2	SWITCH ASSY., RR. STOP	2	3	1	24781-419-000	0494377
		2	3			
2	SWITCH ASSY., RR. STOP	2	3	1	35350-MB0-000	1246867
		2	3			
2	SPRING, STOP SWITCH	2	3	1	35350-ME9-405	3822384
		2	3			
2	ROD, RR. BRAKE	2	3	1	35350-ME9-770	1562305
		2	3			
2	PIN B, JOINT	2	3	1	35357-425-610	0820746
		2	3			
2	PEDAL COMP., RR. BRAKE	2	3	1	43451-MB0-000	1247980
		2	3			
2	PEDAL ASSY., GEARSHIFT	2	3	1	43452-KB4-000	1185529
		2	3			
2	PEDAL ASSY., GEARSHIFT	2	3	1	46500-MB0-000	1248400
		2	3			

CONTENTS

TITLE	PAGE	GRID
AIR CLEANER 82	113	F11
AIR CLEANER 83	116	G1
BATTERY	111	F10
BRAKE CALIPER FR	90	E12
BRAKE MASTER CYL FR	74	E4
BRAKE PANEL RR	94	F2
BRAKE PEDAL	121	G3
CABLE	72	E3
CLUTCH MASTER CYLINDER	76	E5
CONTROL LEVER	74	E4
ELECTRIC PARTS 83	139	G12
FENDER FR	84	E9
FENDER RR	132	G9
FINAL DRIVEN GEAR	98	F4
FRAME	146	H4
FUEL TANK	102	F6
GEARSHIFT PEDAL	121	G3
HANDLEBAR	78	E6
HEADLIGHT	68	E1
HORN	82	E8
IGNITION COIL 82	137	G11
INSTRUMENTS	70	E2
MUFFLER	118	G2
RADIATOR	142	M2
SEAT	105	F7
SHOCK ABSORBER FR	85	E9
SHOCK ABSORBER RR	130	G8
SIDE COVER	108	F9
SPARK UNIT	132	G9
STAND	126	G6
STEERING STEM	82	E8
STEP	124	G5
SWINGARM	128	G7
SWITCH	72	E3
TAILLIGHT	136	G11
TOOLS	149	H5
TOP BRIDGE	78	E6
TURN SIGNAL	134	G10
WHEEL FR	92	F1
WHEEL RR	96	F3
WIRE HARNESS 82	137	G11
WIRE HARNESS 83	139	G12

VF750S'82 ENGINE NO.; RC07E-2000066 TO 2015996
VF750S'82 FRAME NO.; RC070-CM000036 TO CM012083
VF750S'83 ENGINE NO.; RC07E-2100018 TO 2115544
VF750S'83 FRAME NO.; RC070-DM100006 TO DM108632

BRAKE PEDAL • GEARSHIFT PEDAL



F14MB0C21

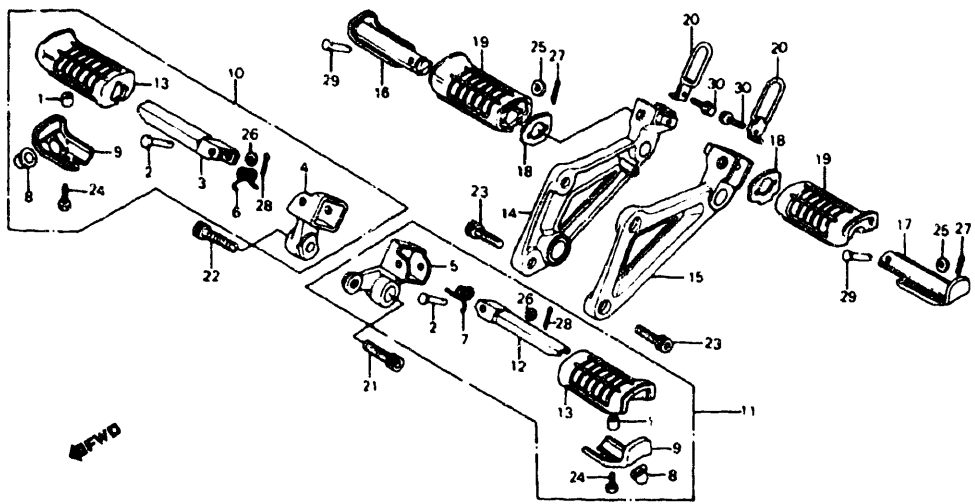
Ref. No.	BLOCK NO. F-21 DESCRIPTION	VF750S		QTY REQ	PART NUMBER	HONDA CODE
		1 9 8 2	1 9 8 3			
2	SPINDLE COMP., RR. BRAKE	2	--	1	46510-MB0-000	1248426
	SPINDLE COMP., RR. BRAKE	--	3	1	46510-MB0-700	1309129
13	SPRING, BRAKE PEDAL	2	3	1	46514-MB0-000	1248442
14	BOLT, TIE ROD	2	3	1	90065-MB0-000	1250802
15	BOLT, SPECIAL FLANGE, 8X28	2	3	2	90103-MB0-000	1250869
16	NUT, GOVERNOR ARM FIXING	2	3	1	90201-700-000	0401398
17	NUT, HEX., 6MM	2	3	1	94002-06000	0058081
	NUT, HEX., 6MM	2	3	1	94002-06000-0S	0181032
18	NUT, HEX., 6MM	2	3	1	94002-06020	0694984
	NUT, HEX., 6MM	2	3	1	94002-06020-0S	1237387
19	PIN, SPLIT, 1.6X12	2	3	1	94201-16120	0251736
20	SPRING A, BRAKE ROD	2	3	1	95014-73100	0271056
21	JOINT B, BRAKE ARM	2	3	1	95015-32001	0400945
22	NUT B, BRAKE ROD ADJUSTING	2	3	1	95015-42000	0257766
23	BOLT, FLANGE, 6X20	2	3	1	95700-06020-00	0488684
	BOLT, FLANGE, 6X20	2	3	1	95701-06020-00	2105815

Ref. No.	BLOCK NO. F-21 DESCRIPTION	VF750S		QTY REQ	PART NUMBER	HONDA CODE
		1 9 8 2	1 9 8 3			
24	BOLT, FLANGE, 6X16	2	3	1	96000-06016-00	1113687
	BOLT, FLANGE, 6X16	2	3	1	96001-06016-00	2105955

CONTENTS

TITLE	PAGE	GRID
AIR CLEANER 82	113	F11
AIR CLEANER 83	116	G1
BATTERY	111	F10
BRAKE CALIPER FR	90	G12
BRAKE MASTER CYL. FR	74	E4
BRAKE PANEL RR	94	F2
BRAKE PEDAL	121	G3
CABLE	72	E3
CLUTCH MASTER CYLINDER	76	E5
CONTROL LEVER	74	E4
ELECTRIC PARTS 83	139	G12
FENDER FR	84	E9
FENDER RR	132	G9
FINAL DRIVEN GEAR	98	F4
FRAME	146	H4
FUEL TANK	102	F6
GEARSHIFT PEDAL	121	G3
HANDLEBAR	78	E6
HEADLIGHT	68	E1
HORN	82	E8
IGNITION COIL 82	137	G11
INSTRUMENTS	70	E2
MUFFLER	118	G2
RADIATOR	142	H2
SEAT	105	F7
SHOCK ABSORBER FR	85	E9
SHOCK ABSORBER RR	130	G8
SIDE COVER	108	F9
SPARK UNIT	132	G9
STAND	126	G6
STEERING STEM	82	E8
STEP	124	G5
SWINGARM	128	G7
SWITCH	72	E3
TAILLIGHT	136	G11
TOOLS	149	H5
TOP BRIDGE	78	E6
TURN SIGNAL	134	G10
WHEEL FR	92	F1
WHEEL RR	96	F3
WIRE HARNESS 82	137	G11
WIRE HARNESS 83	139	G12

122 AMERICAN HONDA MOTOR CO. LTD 1993
 VF750S'82 ENGINE NO.; RC07E-2000066 TO 2015996
 VF750S'82 FRAME NO.; RC070-CM00036 TO CM012083
 VF750S'83 ENGINE NO.; RC07E-2100018 TO 2115544
 VF750S'83 FRAME NO.; RC070-DM100006 TO DM108632

STEP

F14MBOC22

2 = VF750S'82 3 = VF750S'83		VF750S		QTY REQ	PART NUMBER	HONDA CODE
Ref. No.	BLOCK NO. DESCRIPTION	1 9 8 2	2 9 8 3			
1	COLLAR, CHAIN CASE	2	3	2	40515-413-000	0827626
2	PIN, STEP BAR JOINT	2	3	2	50603-033-000	0019349
3	BAR COMP., R. FOOTPEG	2	3	1	50612-MB0-000	1248848
4	BRACKET COMP., R. STEP	2	--	1	50613-MB0-000	1248863
	BRACKET COMP., R. STEP	--	3	1	50613-MB0-700	1309186
5	BRACKET COMP., L. STEP	2	--	1	50614-MB0-000	1248871
	BRACKET COMP., L. STEP	--	3	1	50614-MB0-700	1309194
6	SPRING, STEP RETURN	2	3	1	50616-MB0-000	1248897
7	SPRING, STEP RETURN	2	3	1	50617-195-000	1248913
8	SLIDER, STEP	2	3	2	50618-MB1-000	1248939
9	STOPPER, FOOTPEG RUBBER	2	3	2	50619-MB0-000	1248947
10	STEP ASSY., R. MAIN	2	--	1	50630-MB0-000	1248962
	STEP ASSY., R. MAIN	--	3	1	50630-MB0-700	1312859
11	STEP ASSY., L. MAIN	2	--	1	50640-MB0-000	1248988
	STEP ASSY., L. MAIN	--	3	1	50640-MB0-700	1312867
12	BAR COMP., L. FOOTPEG	2	3	1	50642-MB0-000	1249002

2 = VF750S'82
3 = VF750S'83Ref.
No.BLOCK NO.
DESCRIPTION

F-22

2 3

2 3

2 3

2 3

2 3

2 3

2 3

2 3

2 3

2 3

2 3

2 3

2 3

2 3

2 3

2 3

2 3

2 3

2 3

2 3

2 3

VF750S

1 1
9 9
8 8
2 3

2 3

2 3

2 3

2 3

2 3

2 3

2 3

2 3

2 3

2 3

2 3

2 3

2 3

2 3

2 3

2 3

2 3

2 3

2 3

2 3

2 3

2 3

2 3

2 3

2 3

FRAME
SERIAL NUMBER

FROM TO

QTY
REQ

2

1

1

1

1

2

2

2

2

2

2

2

2

2

2

2

2

2

2

2

2

2

2

2

PART NUMBER

50661-MB0-000

50680-MB0-000

50690-MB0-000

50711-MB0-000

50712-MB0-000

50714-MB0-000

50715-MB0-000

50715-MJ1-000

50740-MB0-000

90106-MB0-000

95700-10020-07

90107-MB0-000

90109-MB0-000

92000-06016-0A

92100-06016-0A

92101-06016-0A

94101-06000

94101-06080

94101-06800

94102-08000

94201-16100

94201-16150

94201-16250

95015-83000

95700-08016-00

95701-08016-00

HONDA
CODE

1249036

1249051

1249077

1249119

1249135

1249168

1249184

1693209

1249192

1250927

1311422

1250935

1250950

0313197

1685726

2479590

0059071

3136074

0345900

0199596

0262089

0058313

0058339

0274118

0631242

2298396

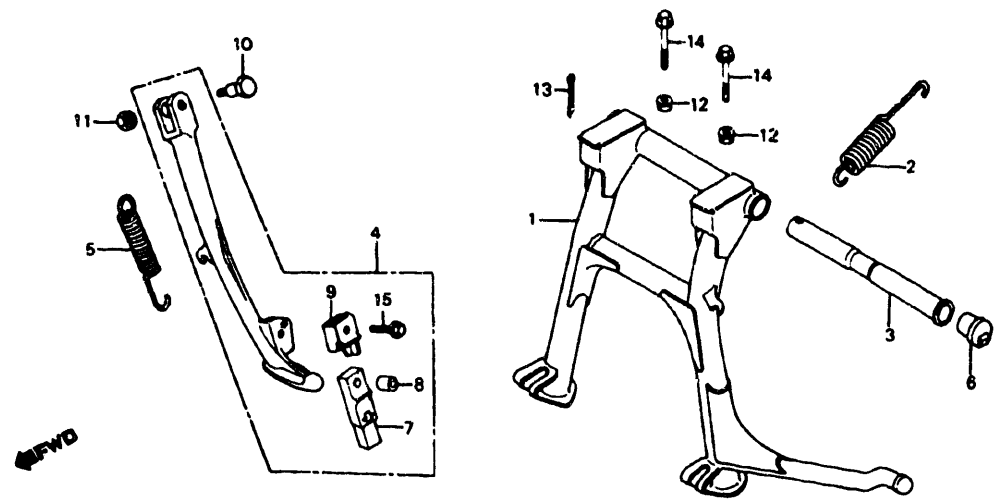
CONTENTS

TITLE	PAGE	GRID
AIR CLEANER 82	113	F11
AIR CLEANER 83	116	G1
BATTERY	111	F10
BRAKE CALIPER, FR.	90	E12
BRAKE MASTER CYL. FR.	74	E4
BRAKE PANEL, RR.	94	F2
BRAKE PEDAL	121	G3
CABLE	72	E3
CLUTCH MASTER CYLINDER	76	E5
CONTROL LEVER	74	E4
ELECTRIC PARTS 83	139	G12
FENDER, FR.	84	E9
FENDER, RR.	132	G9
FINAL DRIVEN GEAR	98	F4
FRAME	146	H4
FUEL TANK	102	F6
GEARSHIFT PEDAL	121	G3
HANDLEBAR	78	E6
HEADLIGHT	68	E1
HORN	82	E8
IGNITION COIL 82	137	G11
INSTRUMENTS	70	E2
MUFFLER	118	G2
RADIATOR	142	H2
SEAT	105	F7
SHOCK ABSORBER, FR.	85	E9
SHOCK ABSORBER, RR.	130	G8
SIDE COVER	108	F9
SPARK UNIT	132	G9
STAND	126	G6
STEERING STEM	82	E8
STEP	124	G5
SWINGARM	128	G7
SWITCH	72	E3
TAILLIGHT	136	G11
TOOLS	149	H5
TOP BRIDGE	78	E6
TURN SIGNAL	134	G10
WHEEL, FR.	92	F1
WHEEL, RR.	96	F3
WIRE HARNESS 82	137	G11
WIRE HARNESS 83	139	G12

GRID

G5

STAND



F14MBOC23

Ref. No.	BLOCK NO. F-23	VF750S		FRAME SERIAL NUMBER	QTY REQ	PART NUMBER	HONDA CODE
		1	2				
		1	1				
		9	9				
		8	8				
		2	3				
14	BOLT, FLANGE, 6X40	2	3	-----	-----	2	95701-06040-08 2105872
15	BOLT, FLANGE, 6X25	2	3	-----	-----	1	96000-06025-07 1251941
	BOLT, FLANGE, 6X25	2	3	-----	-----	1	96001-06025-07 2105997

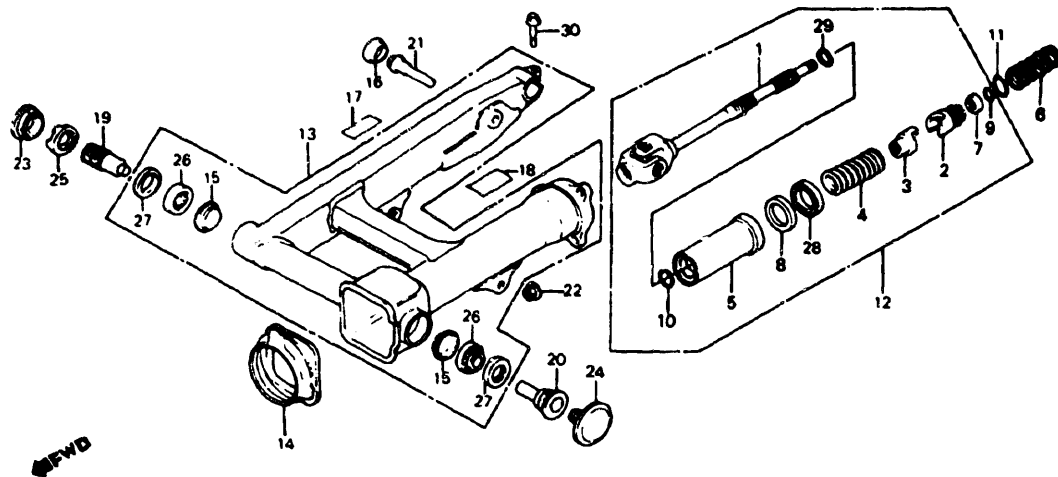
Ref. No.	BLOCK NO. F-23	VF750S		FRAME SERIAL NUMBER	QTY REQ	PART NUMBER	HONDA CODE
		1	2				
		1	1				
		9	9				
		8	8				
		2	3				
1	STAND COMP., MAIN	2	3	-----	-----	1	50500-MB0-000 1248756
2	SPRING, MAIN STAND	2	3	-----	-----	1	50522-MB0-000 1248772
3	PIPE, MAIN STAND PIVOT	2	3	-----	-----	1	50526-MB0-000 1248780
4	BAR ASSY., SIDE STAND	2	3	-----	-----	1	50540-MB0-000 1248806
	BAR ASSY., SIDE STAND	2	3	-----	-----	1	50540-MB0-010 1485085
5	SPRING, SIDE STAND	2	3	-----	-----	1	50541-MB0-000 1248822
6	STOPPER, SIDE STAND	---	3	-----	-----	1	50545-MB0-700 1312842
7	RUBBER, STAND	2	3	-----	-----	1	50548-356-700 0382648
8	COLLAR, STAND RUBBER SETTING	2	3	-----	-----	1	50549-356-700 0382655
9	BRACKET, SIDE STAND RUBBER	2	3	-----	-----	1	50574-MB0-000 1248830
10	BOLT, SIDE STAND PIVOT	2	3	-----	-----	1	90108-MB0-000 1250943
11	NUT, HEX., 10MM	2	3	-----	-----	1	94002-10070-0S 0939827
12	NUT, FLANGE, 6MM	2	3	-----	-----	2	94050-06080 0612689
13	PIN, COTTER, 2.5MM	2	3	-----	-----	1	94201-25250 0145581
	PIN, COTTER, 2.5MM	2	3	-----	-----	1	94201-25300 0156091
14	BOLT, FLANGE, 6X40	2	3	-----	-----	2	95700-06040-08 0252320

CONTENTS

TITLE	PAGE	GRID
AIR CLEANER 82	113	F11
AIR CLEANER 83	116	G1
BATTERY	111	F10
BRAKE CALIPER FR	90	E12
BRAKE MASTER CYL FR	74	E4
BRAKE PANEL RR	94	F2
BRAKE PEDAL	121	G3
CABLE	72	E3
CLUTCH MASTER CYLINDER	76	E5
CONTROL LEVER	74	E4
ELECTRIC PARTS 83	139	G12
FENDER FR	84	E9
FENDER RR	132	G9
FINAL DRIVEN GEAR	98	F4
FRAME	146	H4
FUEL TANK	102	F6
GEARSHIFT PEDAL	121	G3
HANDLEBAR	78	E6
HEADLIGHT	68	E1
HORN	82	E8
IGNITION COIL 82	137	G11
INSTRUMENTS	70	E2
MUFFLER	118	G2
RADIATOR	142	H2
SEAT	105	F7
SHOCK ABSORBER FR	85	E9
SHOCK ABSORBER RR	130	G8
SIDE COVER	108	F9
SPARK UNIT	132	G9
STAND	126	G6
STEERING STEM	82	E8
STEP	124	G5
SWINGARM	128	G7
SWITCH	72	E3
TAILLIGHT	136	G11
TOOLS	149	H5
TOP BRIDGE	78	E6
TURN SIGNAL	134	G10
WHEEL FR	92	F1
WHEEL RR	96	F3
WIRE HARNESS 82	137	G11
WIRE HARNESS 83	139	G12

VF750S'82 ENGINE NO.; RC07E-2000066 TO 2015996
 VF750S'82 FRAME NO.; RC070-CM000036 TO CM012083
 VF750S'83 ENGINE NO.; RC07E-2100018 TO 2115544
 VF750S'83 FRAME NO.; RC070-DM100006 TO DM108632

SWINGARM



"CAUTION OR WARNING LABELS MUST BE ORDERED SEPARATELY WHEN APPLICABLE"

F14MB0C24

Ref. No.	BLOCK NO. F-24 DESCRIPTION	VF750S		QTY	PART NUMBER	HONDA CODE
		1 9 8 2	1 9 8 3			
2	VF750S'82					
3	VF750S'83					
1	JOINT COMP., YOKE (YAMADA)	2	3	1	40200-MB0-013	1296045
2	CAM, DAMPER	2	3	1	40211-MB0-000	1247378
3	LIFTER, DAMPER	2	3	1	40212-MB0-000	1247386
4	SPRING, DAMPER CAM	2	--	1	40213-MB0-000	1247394
	SPRING, DAMPER CAM	--	3	1	40213-MB0-010	1316686
5	COVER, DAMPER	2	--	1	40214-MB0-000	1247402
	COVER, DAMPER	--	3	1	40214-MB0-010	1316694
6	SPRING, PROPELLER SHAFT	2	3	1	40215-MB0-003	1247410
7	STOPPER, SPRING	2	3	1	40216-MB0-000	1247428
8	GUIDE, OIL SEAL	2	--	1	40217-MB0-000	1247436
	GUIDE, OIL SEAL	2	3	1	40217-MB0-010	1316702
9	RING, SPRING STOPPER	2	3	1	40218-MB0-000	1247444
10	RING, DAMPER COVER	2	3	1	40219-MB0-000	1316710
11	RING, STOPPER	2	--	1	40221-MB0-000	1247451
		--	3	1	40221-MB0-000	1247451
						DM106963
12	SHAFT ASSY., DRIVE	2	3	1	40250-MB0-010	1303759

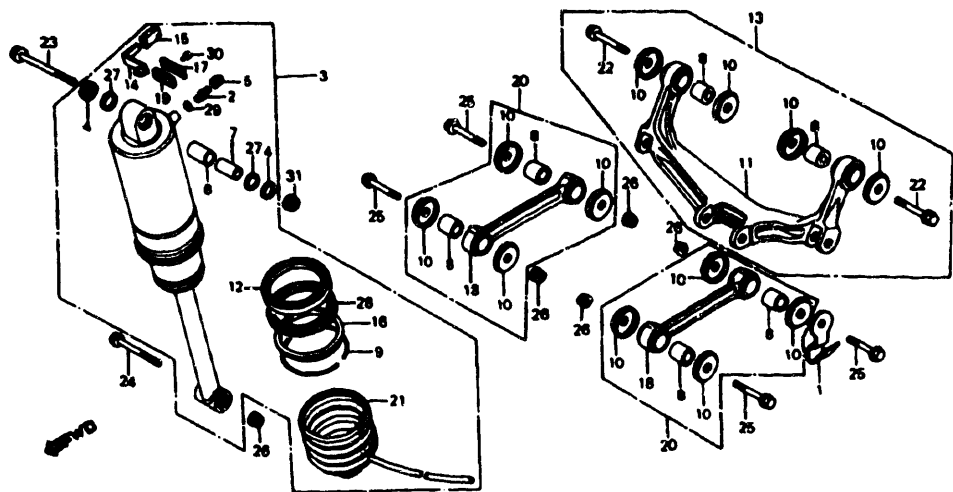
Ref. No.	BLOCK NO. F-24 DESCRIPTION	VF750S		QTY	PART NUMBER	HONDA CODE
		1 9 8 2	1 9 8 3			
13	SWINGARM ASSY., RR. *NH1* (BLACK)	2	--	1	52100-MB0-000ZA	1249499
	SWINGARM ASSY., RR. *NH1* (BLACK)	--	3	1	52100-MB0-700ZA	1313477
14	BOOT, JOINT	2	3	1	52105-MB0-000	1249515
15	HOLDER, RR. SWINGARM GREASE	2	3	2	52112-MA1-300	1055201
16	CAP, SWINGARM SIDE	2	3	1	52120-MB0-000	1249523
17	LABEL, MUFFLER CAUTION	2	3	1	87504-463-670	0881094
18	LABEL, TIRE CAUTION	2	3	1	87505-MB0-670	1250638
19	BOLT, R. RR. SWINGARM PIVOT	2	3	1	90121-MB0-000	1250992
20	BOLT, L. RR. SWINGARM PIVOT	2	3	1	90122-MB0-000	1251008
21	BOLT, PANEL STOPPER	2	--	1	901A5-MB0-000	1436955
	BOLT, PANEL STOPPER	--	3	1	901A5-MB0-000	1436955
	BOLT, PANEL STOPPER	2	--	1	90158-MB0-010	1507268
	BOLT, PANEL STOPPER	--	3	1	90158-MB0-010	1507268
	BOLT, PANEL STOPPER	2	3	1	90158-MB0-020	2391308
	BOLT, PANEL STOPPER	--	3	1	90158-MB0-020	2391308
22	NUT, HEX., 10MM	2	3	3	90308-357-000	0322156
23	CAP, R. LOCK NUT	2	3	1	90312-MB0-000	1251297
	CAP, R. LOCK NUT	--	3	1	90312-MB0-700	1310580
24	CAP, L. LOCK NUT	2	3	1	90313-MB0-000	1251305
25	NUT, RR. SWINGARM PIVOT	2	3	1	90355-469-000	0875401
26	BEARING, 30203J	2	3	2	91066-MC7-004	1218528
27	DUST SEAL, 26X40X5	2	3	2	91268-463-003	0886309
28	OIL SEAL, 47X56X7	2	3	1	91271-MB0-000	1251511
	OIL SEAL, 47X56X7	2	3	1	91271-MB0-003	1251529
	OIL SEAL, 47X56X7	2	3	1	91271-MB0-004	1251537
	OIL SEAL, 47X56X7	2	3	1	91271-MB0-013	2648038
	OIL SEAL, 47X56X7	2	3	1	91271-MK3-003	2023844
29	O-RING, 22.5X2.4	2	3	1	91361-MB0-003	1251644
30	BOLT, FLANGE, 8X32	2	3	1	95700-08032-00	0637173
	BOLT, FLANGE, 8X32	2	3	1	95701-08032-00	2751725

CONTENTS

TITLE	PAGE	GRID
AIR CLEANER 82	113	F11
AIR CLEANER 83	116	G1
BATTERY	111	F10
BRAKE CALIPER FR	90	E12
BRAKE MASTER CYL FR	74	E4
BRAKE PANEL RR	94	F2
BRAKE PEDAL	121	G3
CABLE	72	E3
CLUTCH MASTER CYLINDER	76	E5
CONTROL LEVER	74	E4
ELECTRIC PARTS 83	139	G12
FENDER FR	84	E9
FENDER RR	132	G9
FINAL DRIVEN GEAR	98	F4
FRAME	146	H4
FUEL TANK	102	F6
GEARSHIFT PEDAL	121	G3
HANDLEBAR	78	E6
HEADLIGHT	68	E1
HORN	82	E8
IGNITION COIL 82	137	G11
INSTRUMENTS	70	E2
MUFFLER	118	G2
RADIATOR	142	H2
SEAT	105	F7
SHOCK ABSORBER FR	85	E9
SHOCK ABSORBER RR	130	G8
SIDE COVER	108	F9
SPARK UNIT	132	G9
STAND	126	G6
STEERING STEM	82	E8
STEP	124	G5
SWINGARM	128	G7
SWITCH	72	E3
TAILLIGHT	136	G11
TOOLS	149	H5
TOP BRIDGE	78	E6
TURN SIGNAL	134	G10
WHEEL FR	92	F1
WHEEL RR	96	F3
WIRE HARNESS 82	137	G11
WIRE HARNESS 83	139	G12

VF750S'82 ENGINE NO.; RC07E-2000066 TO 2015996
 VF750S'82 FRAME NO.; RC070-CM000036 TO CM012083
 VF750S'83 ENGINE NO.; RC07E-2100018 TO 2115544
 VF750S'83 FRAME NO.; RC070-DM100006 TO DM108632

REAR SHOCK ABSORBER



F14MB0C25

Ref. No.	BLOCK NO. F-25 DESCRIPTION	VF750S		QTY REQ	PART NUMBER	HONDA CODE
		1 9 8 2	1 9 8 3			
2	VF750S'82					
3	VF750S'83					
1	CLIP, CLUTCH CABLE	2	3	1	45469-399-000	1179266
2	VALVE COMP., AIR (SHOWA)	2	3	1	51456-469-013	0950428
3	SHOCK ABSORBER ASSY. (SHOWA)	2	--	1	52400-MB0-003	1249549
	SHOCK ABSORBER ASSY. (SHOWA)	--	3	1	52400-MB0-771	1316884
4	CAP (SHOWA)	2	3	2	52406-MA1-731	1087741
5	CAP, AIR VALVE (SHOWA)	2	3	1	52425-169-003	1008853
6	METAL, BUSH	2	3	1	52452-MA1-731	1087766
7	COLLAR, BUSH	2	3	1	52453-MA2-771	1115369
8	COLLAR, SHOCK ARM	2	3	6	52462-MB0-000	1249630
9	RING B, STOPPER	2	3	1	52463-MC7-003	1217512
	RING B, STOPPER	2	3	1	52463-MC7-013	1718337
10	SEAL, SHOCK ARM	2	--	12	52464-MB0-000	1249648
		--	3	12	52464-MB0-000	1249648
	SEAL, SHOCK ARM	--	3	12	52464-MB0-701	1746387
11	ARM ASSY., SHOCK	2	--	1	52470-MB0-000	1249655
		--	3	1	52470-MB0-000	1249655

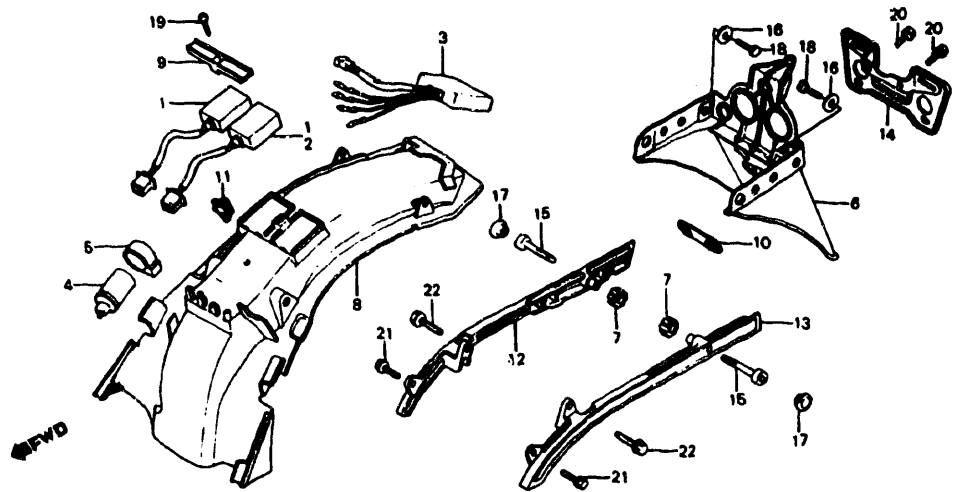
Ref. No.	BLOCK NO. F-25 DESCRIPTION	VF750S		QTY REQ	PART NUMBER	HONDA CODE
		1 9 8 2	1 9 8 3			
2	VF750S'82					
3	VF750S'83					
11	ARM ASSY., SHOCK	2	3	1	52470-MB0-010	1534916
		--	3	1	52470-MB0-010	1534916
12	CASE, GUIDE	2	3	1	52472-MC7-003	1209782
13	ARM SET, SHOCK	2	--	(1)	52475-MB0-305	2608222
		--	3	1	52475-MB0-305	2608222
14	LEVER, ADJUSTING	2	--	1	52476-MB0-003	1249663
15	CAP, RUBBER	2	--	1	52477-MB0-003	1275742
16	RING, BACK UP	2	3	1	52477-MC7-003	1209808
	RING, BACK UP	2	3	1	52477-MC7-013	1718345
17	HOLDER, ADJUSTING LEVER	2	--	1	52479-MB0-003	1249671
18	ROD ASSY., TENSION	2	--	2	52480-MB0-000	1249689
		--	3	2	52480-MB0-000	1249689
	ROD ASSY., TENSIONER	2	--	2	52480-MB0-010	1440460
		--	3	2	52480-MB0-010	1440460
	ROD ASSY., TENSION	2	3	2	52485-MB0-305	2065951
19	GUIDE, ADJUSTER	2	--	1	52481-MA2-003	1061340
20	ROD ASSY., TENSION	2	--	(2)	52485-MB0-305	2065951
		--	3	2	52485-MB0-305	2065951
21	BOOT COMP., RR. SHOCK	2	3	1	52611-MB0-003	1249721
22	BOLT, FLANGE, 10X53	2	--	2	90154-MB0-000	1251131
		--	3	2	90154-MB0-000	1251131
	BOLT, SOCKET, 10X45	--	3	2	90119-MB0-700	1746395
23	BOLT, FLANGE, 10X190	2	3	1	90157-MB0-000	1251156
24	BOLT, FLANGE, 10X82	2	3	1	90159-MB0-000	1251180
25	BOLT, FLANGE, 10X48	2	3	4	90163-MB0-000	1251198
26	NUT, AXLE, 10MM	2	3	5	90304-GA6-003	1023969
27	DUST SEAL (SHOWA)	2	3	2	91254-MA1-731	1089572
28	OIL SEAL, 65X80X10.5	2	3	1	91257-MC7-003	1218536
29	O-RING, 5.8X1.9	2	3	1	91301-469-003	0874768
	O-RING, 5.8X1.9	2	3	1	91305-323-000	0258012
	O-RING, 5.6X1.9 (ARAI)	2	3	1	91318-ME5-003	1366574
30	SCREW, PAN, 4X6	2	--	2	93500-04006-0A	0171785
31	NUT, FLANGE, 10MM	2	3	1	94050-10080	0623405

CONTENTS

TITLE	PAGE	GRID
AIR CLEANER 82	113	F11
AIR CLEANER 83	116	G1
BATTERY	111	F10
BRAKE CALIPER, FR.	90	E12
BRAKE MASTER CYL. FR.	74	E4
BRAKE PANEL RR.	94	F2
BRAKE PEDAL	121	G3
CABLE	72	E3
CLUTCH MASTER CYLINDER	76	E5
CONTROL LEVER	74	E4
ELECTRIC PARTS 83	139	G12
FENDER, FR.	84	E9
FENDER, RR.	132	G9
FINAL DRIVEN GEAR	98	F4
FRAME	146	H4
FUEL TANK	102	F6
GEARSHIFT PEDAL	121	G3
HANDLEBAR	78	E6
HEADLIGHT	68	E1
HORN	82	E8
IGNITION COIL 82	137	G11
INSTRUMENTS	70	E2
MUFFLER	118	G2
RADIATOR	142	H2
SEAT	105	F7
SHOCK ABSORBER, FR.	85	E9
SHOCK ABSORBER, RR.	130	G8
SIDE COVER	108	F9
SPARK UNIT	132	G9
STAND	126	G6
STEERING STEM	82	E8
STEP	124	G5
SWINGARM	128	G7
SWITCH	72	E3
TAILLIGHT	136	G11
TOOLS	149	H5
TOP BRIDGE	78	E6
TURN SIGNAL	134	G10
WHEEL, FR.	92	F1
WHEEL, RR.	96	F3
WIRE HARNESS 82	137	G11
WIRE HARNESS 83	139	G12

VF750S'82 ENGINE NO.; RC07E-2000066 TO 2015996
 VF750S'82 FRAME NO.; RC070-CM000036 TO CM012083
 VF750S'83 ENGINE NO.; RC07E-2100018 TO 2115544
 VF750S'83 FRAME NO.; RC070-DM100006 TO DM108632

REAR FENDER • SPARK UNIT



F14MB0C26

		VF750S		QTY	REQ	PART NUMBER	HONDA CODE
2 = VF750S'82 3 = VF750S'83		1 9 8 2	1 9 8 3				
Ref. No.	BLOCK NO. F-26 DESCRIPTION	2	3	FROM	TO		
1	SPARK UNIT (ND)	2	--	----	----	2	30400-MB0-004 1245935
	SPARK UNIT (HITACHI)	2	--	----	----	2	30400-MB0-005 1245943
2	SPARK UNIT (ND)	--	3	----	----	1	30410-MB1-701 1433077
	SPARK UNIT (HITACHI)	--	3	----	----	1	30410-MB1-702 1433101
	SPARK UNIT (HITACHI)	--	3	----	----	1	30410-MB1-703 2964740
3	SENSOR, STOP & TAILLIGHT	2	--	----	----	1	35550-MB0-008 1246925
	SENSOR, STOP & TAILLIGHT	--	3	----	----	1	35550-MB0-771 1412113
4	RELAY COMP., TURN SIGNAL (MITSUBA)	2	3	----	----	1	38301-MB0-004 1247337
5	SUSPENSION, TURN SIGNAL RELAY	2	3	----	----	1	38306-292-000 0480293
6	FENDER A, RR.	2	3	----	----	1	80100-MB0-000 1250265
7	SPACER, RR. FENDER	2	3	----	----	2	80101-MB0-000 1250281
8	FENDER B, RR.	2	--	----	----	1	80105-MB0-000 1250315
	FENDER B, RR.	--	3	----	----	1	80105-MB0-700 1310374
9	HOLDER, IGNITOR	2	--	----	----	1	80106-MB0-000 1250331
	HOLDER, IGNITOR	--	3	----	----	1	80106-MB0-700 1310382

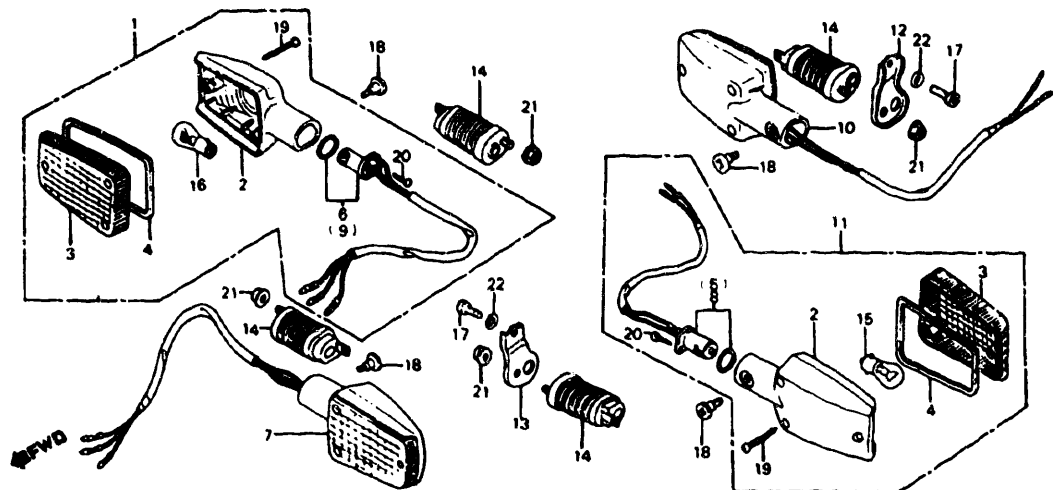
VF750S'82 ENGINE NO.; RC07E-2000066 TO 2015996
 VF750S'82 FRAME NO.; RC070-CM000036 TO CM012083
 VF750S'83 ENGINE NO.; RC07E-2100018 TO 2115544
 VF750S'83 FRAME NO.; RC070-DM100006 TO DM108632

		VF750S		QTY	REQ	PART NUMBER	HONDA CODE
2 = VF750S'82 3 = VF750S'83		1 9 8 2	1 9 8 3				
Ref. No.	BLOCK NO. F-26 DESCRIPTION	2	3	FROM	TO		
10	PLATE, RR. FENDER	2	3	----	----	1	80110-MB0-000 1250349
11	CLAMP, CABLE	2	3	----	----	1	80110-147-000 0465351
12	GRIP, R. SIDE	2	--	----	----	1	84110-MB0-000 1250539
	GRIP, R. SIDE	2	3	----	----	1	84110-MB0-700 1310390
13	GRIP, L. SIDE	2	--	----	----	1	84120-MB0-000 1250547
	GRIP, L. SIDE	2	3	----	----	1	84120-MB0-700 1310408
14	BRACKET, LICENSE PLATE	2	3	----	----	1	84701-MB0-670 1250554
15	BOLT, HEX. SOCKET, 8X50	2	3	----	----	2	90187-MB0-000 1251230
16	WASHER, 6MM	2	3	----	----	2	90506-634-000 0954016
17	CAP, SOCKET BOLT, 8MM	2	3	----	----	2	91456-MB0-000 1263870
18	BOLT, HEX., 6X16	2	3	----	----	2	92000-06016-0H 0623801
	BOLT, HEX., 6X16	2	3	----	----	2	92100-06016-0H 2234896
19	SCREW, TAPPING, 4X12	2	3	----	----	1	93903-14320 1251800
20	BOLT, FLANGE, 6X10	2	3	----	----	2	95700-06010-08 0344952
	BOLT, FLANGE, 6X10	2	3	----	----	2	95701-06010-08 2204709
21	BOLT, FLANGE, 6X16	2	--	----	----	2	95700-06016-08 0252262
	BOLT, FLANGE, 6X16	2	--	----	----	2	95701-06016-08 2105807
	BOLT, FLANGE, 6X16	2	--	----	----	2	95900-06016-08 1484690
22	BOLT, FLANGE, 8X25	2	3	----	----	2	95700-08025-08 0371997
	BOLT, FLANGE, 8X25	2	3	----	----	2	95700-08025-18 1251909
	BOLT, FLANGE, 8X25	2	3	----	----	2	95701-08025-08 2563252

CONTENTS

TITLE	PAGE	GRID
AIR CLEANER 82	113	F11
AIR CLEANER 83	116	G1
BATTERY	111	F10
BRAKE CALIPER, FR.	90	E12
BRAKE MASTER CYL. FR.	74	E4
BRAKE PANEL, RR.	94	F2
BRAKE PEDAL	121	G3
CABLE	72	E3
CLUTCH MASTER CYLINDER	76	E5
CONTROL LEVER	74	E4
ELECTRIC PARTS 83	139	G12
FENDER, FR.	84	E9
FENDER, RR.	132	G9
FINAL DRIVEN GEAR	98	F4
FRAME	146	H4
FUEL TANK	102	F6
GEARSHIFT PEDAL	121	G3
HANDLEBAR	78	E6
HEADLIGHT	68	E1
HORN	82	E8
IGNITION COIL 82	137	G11
INSTRUMENTS	70	E2
MUFFLER	118	G2
RADIATOR	142	H2
SEAT	105	F7
SHOCK ABSORBER, FR.	85	E9
SHOCK ABSORBER, RR.	130	G8
SIDE COVER	108	F9
SPARK UNIT	132	G9
STAND	126	G6
STEERING STEM	82	E8
STEP	124	G5
SWINGARM	128	G7
SWITCH	72	E3
TAILLIGHT	136	G11
TOOLS	149	H5
TOP BRIDGE	78	E6
TURN SIGNAL	134	G10
WHEEL, FR.	92	F1
WHEEL, RR.	96	F3
WIRE HARNESS 82	137	G11
WIRE HARNESS 83	139	G12

TURN SIGNAL



F14MB0C27

Ref. No.	BLOCK NO. F-27	VF750S	FRAME SERIAL NUMBER	QTY	PART NUMBER	HONDA CODE
		1	1			
		9	9			
		8	8			
		2	3			
1	TURN SIGNAL ASSY., R. FR. (12V 23/8W)	2	3	1	33400-MB0-671	1246362
2	BASE, TURN SIGNAL	2	3	4	33401-MA6-621	1246388
3	LENS, TURN SIGNAL	2	3	4	33402-MA6-013	1258334
4	GASKET, LENS	2	3	4	33406-MA6-003	1246404
5	SOCKET COMP., R. TURN SIGNAL	2	3	1	33410-MA6-621	1246412
6	SOCKET COMP., R. TURN SIGNAL	2	3	1	33410-MB0-671	1246420
7	TURN SIGNAL ASSY., L. FR. (12V 23/8W)	2	3	1	33450-MB0-671	1246438
8	SOCKET COMP., L. TURN SIGNAL	2	3	1	33460-MA6-621	1246453
9	SOCKET COMP., L. TURN SIGNAL	2	3	1	33460-MB0-671	1246461
10	TURN SIGNAL ASSY., R. RR. (12V 23W)	2	3	1	33600-MB0-671	1246487
	TURN SIGNAL ASSY., R. RR. (12V 23W)	2	3	1	33600-MB0-679	2109221
	TURN SIGNAL ASSY., R. RR. (12V 23W)	2	3	1	33650-MB0-671	1246503

Ref. No.	BLOCK NO. F-27	VF750S	FRAME SERIAL NUMBER	QTY	PART NUMBER	HONDA CODE
		1	1			
		9	9			
		8	8			
		2	3			
11	TURN SIGNAL ASSY., R. RR. (12V 23W)	2	3	1	33600-MB0-679	2109221
	TURN SIGNAL ASSY., R. RR. (12V 23W)	2	3	1	33650-MB0-671	1246503
12	BRACKET, R. RR. TURN SIGNAL	2	---	1	33670-MB0-000	1246529
13	BRACKET, L. RR. TURN SIGNAL	2	3	1	33680-MB0-000	1246537
14	STAY, TURN SIGNAL	2	---	4	33690-MB0-003	1246545
	STAY, TURN SIGNAL	---	3	4	33690-MB0-700	1308683
15	BULB, TURN SIGNAL (12V 23W)	2	3	2	34905-268-671	0145312
16	BULB, TURN SIGNAL (12V23/8W) (STANLEY)	2	3	2	34905-425-671	0824326
17	BOLT, SOCKET, 8X16	2	3	2	90115-463-000	0881151
18	SCREW, SPECIAL, 6X11	2	3	4	90380-MA6-000	1251321
	SCREW, SPECIAL, 6X12	2	3	4	90380-MA6-010	1490648
19	SCREW, TAPPING, 3X25	2	3	12	91901-MA6-000	1251685
20	SCREW, TAPPING, 3X12	2	3	4	93901-32320	0665174
21	NUT, FLANGE, 6MM	2	3	4	94050-06000	0471623
22	WASHER, PLAIN, 8MM	---	3	2	94102-08800	0562215

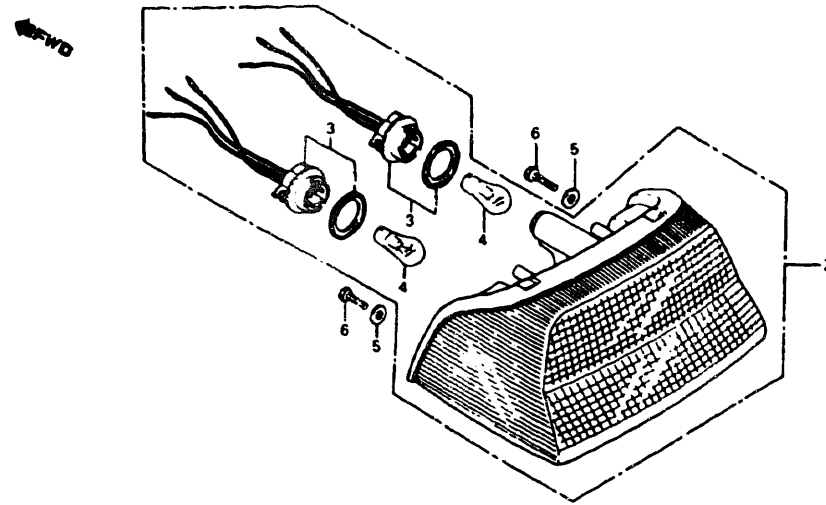
CONTENTS

TITLE	PAGE	GRID
AIR CLEANER B2	113	F11
AIR CLEANER B3	116	G1
BATTERY	111	F10
BRAKE CALIPER, FR.	90	E12
BRAKE MASTER CYL. FR.	74	E4
BRAKE PANEL, RR.	94	F2
BRAKE PEDAL	121	G3
CABLE	72	E3
CLUTCH MASTER CYLINDER	76	E5
CONTROL LEVER	74	E4
ELECTRIC PARTS B3	139	G12
FENDER, FR.	84	E9
FENDER, RR.	132	G9
FINAL DRIVEN GEAR	98	F4
FRAME	146	H4
FUEL TANK	102	F6
GEARSHIFT PEDAL	121	G3
HANDLEBAR	78	E6
HEADLIGHT	68	E1
HORN	82	E8
IGNITION COIL B2	137	G11
INSTRUMENTS	70	E2
MUFFLER	118	G2
RADIATOR	142	H2
SEAT	105	F7
SHOCK ABSORBER, FR.	85	E9
SHOCK ABSORBER, RR.	130	G8
SIDE COVER	108	F9
SPARK UNIT	132	G9
STAND	126	G6
STEERING STEM	82	E8
STEP	124	G5
SWINGARM	128	G7
SWITCH	72	E3
TAILLIGHT	136	G11
TOOLS	149	H5
TOP BRIDGE	78	E6
TURN SIGNAL	134	G10
WHEEL, FR.	92	F1
WHEEL, RR.	96	F3
WIRE HARNESS B2	137	G11
WIRE HARNESS B3	139	G12

GRID

G10

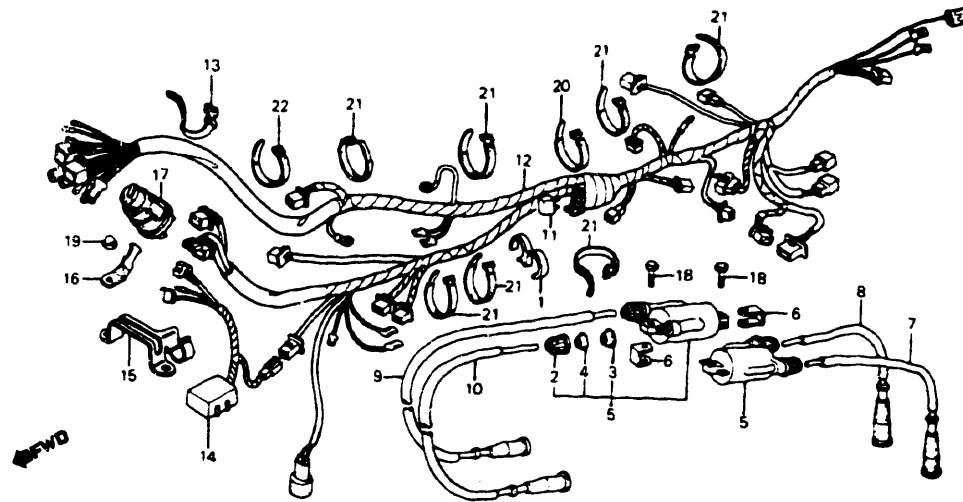
TAILLIGHT



F14MB0C28

Ref. No.	BLOCK NO. F-28	DESCRIPTION	VF750S		QTY REQ	PART NUMBER	HONDA CODE
			1982	1983			
		2 = VF750S'82 3 = VF750S'83					
			FRAME SERIAL NUMBER				
			FROM	TO			
1		GASKET, SEAL	2	3	2	33518-SA2-003	0845875
2		TAILLIGHT UNIT (12V 23/8W)	2	3	1	33701-MB0-670	1246560
		TAILLIGHT UNIT (12V 23/8W)	2	3	1	33701-MB0-671	1265016
3		WIRE COMP., TAILLIGHT	2	3	2	33705-MB0-003	1265412
4		BULB, TAILLIGHT (12V27/7W 2057HD)	2	3	2	34906-MG9-771	1700301
		BULB, TAILLIGHT (12V 27/8W)	2	3	2	34906-341-671	0273540
5		WASHER, 6MM	2	3	3	90506-634-000	0954016
6		BOLT, HEX., 6X16	2	3	3	92000-06016-0H	0623801
		BOLT, HEX., 6X16	2	3	3	92100-06016-0H	2234896

WIRE HARNESS • IGNITION COIL - 82



F14MB0C29

Ref. No.	BLOCK NO. F-29	DESCRIPTION	VF750S		QTY REQ	PART NUMBER	HONDA CODE
			1982	1983			
		2 = VF750S'82 3 = VF750S'83					
			FRAME SERIAL NUMBER				
			FROM	TO			
1		CLAMP, BREATHER TUBE	2	--	1	17359-MB0-000	1244797
2		CAP, SCREW	2	--	4	30501-428-003	1094911
3		SEAL, RUBBER	2	--	4	30502-428-003	1094929
4		WASHER, CAP	2	--	4	30503-428-003	1094937
5		COIL COMP., IGNITION	2	--	2	30506-MA6-003	1543958
		COIL COMP., IGNITION	2	--	2	30510-MA6-003	1245976
		COIL COMP., IGNITION	2	--	2	30510-MA6-013	1811173
6		SPACER, IGNITION COIL	2	--	4	30520-MB0-000	1245984
7		CAP COMP. 1, COIL WIRE	2	--	1	30731-MB0-153	1245992
8		CAP COMP. 2, COIL WIRE	2	--	1	30732-MB0-153	1246016
9		CAP COMP. 3, COIL WIRE	2	--	1	30733-MB0-153	1246032
10		CAP COMP. 4, COIL WIRE	2	--	1	30734-MB0-153	1246057
11		RECTIFIER ASSY., SILICON (STANLEY)	2	--	1	31700-124-003	0351346
		RECTIFIER ASSY., SILICON (SHINDENGEN)	2	--	1	31700-124-008	0692129

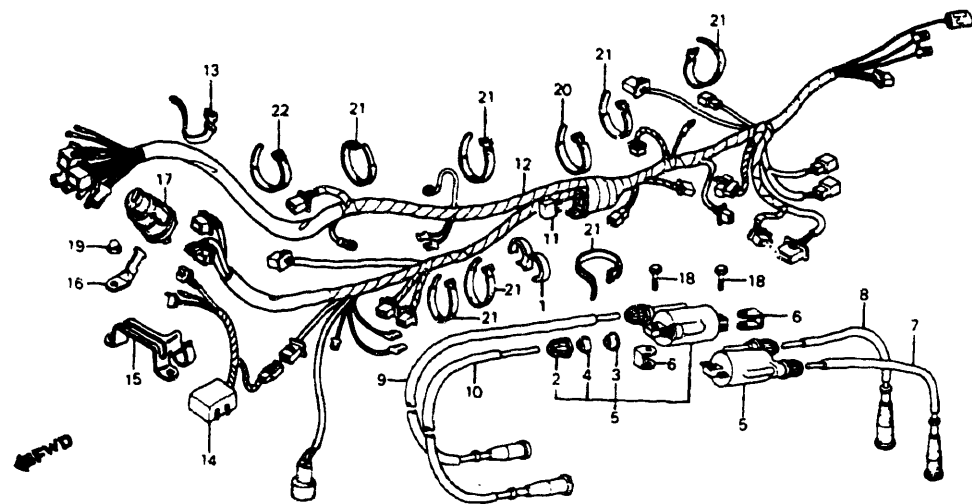
CONTENTS

TITLE	PAGE	GRID
AIR CLEANER 82	113	F11
AIR CLEANER 83	116	G1
BATTERY	111	F10
BRAKE CALIPER, FR.	90	E12
BRAKE MASTER CYL. FR.	74	E4
BRAKE PANEL, RR.	94	F2
BRAKE PEDAL	121	G3
CABLE	72	E3
CLUTCH MASTER CYLINDER	76	E5
CONTROL LEVER	74	E4
ELECTRIC PARTS 83	139	G12
FENDER, FR.	84	E9
FENDER, RR.	132	G9
FINAL DRIVEN GEAR	98	F4
FRAME	146	H4
FUEL TANK	102	F6
GEARSHIFT PEDAL	121	G3
HANDLEBAR	78	E6
HEADLIGHT	68	E1
HORN	82	E8
IGNITION COIL 82	137	G11
INSTRUMENTS	70	E2
MUFFLER	118	G2
RADIATOR	142	H2
SEAT	105	F7
SHOCK ABSORBER, FR.	85	E9
SHOCK ABSORBER, RR.	130	G8
SIDE COVER	108	F9
SPARK UNIT	132	G9
STAND	126	G6
STEERING STEM	82	E8
STEP	124	G5
SWINGARM	128	G7
SWITCH	72	E3
TAILLIGHT	136	G11
TOOLS	149	H5
TOP BRIDGE	78	E6
TURN SIGNAL	134	G10
WHEEL, FR.	92	F1
WHEEL, RR.	96	F3
WIRE HARNESS 82	137	G11
WIRE HARNESS 83	139	G12

GRID

G11

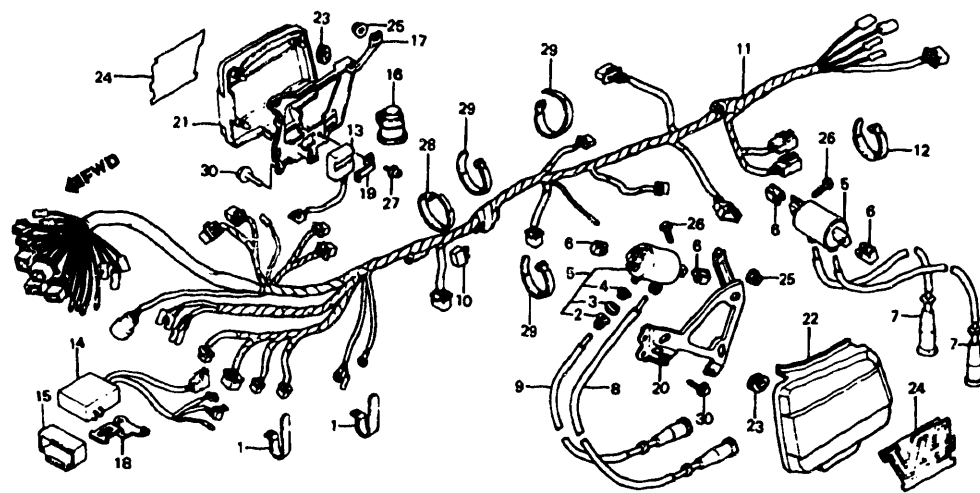
WIRE HARNESS • IGNITION COIL - 82



F14MB0C29

Ref. No.	BLOCK NO. F-29 DESCRIPTION	VF750S		FRAME SERIAL NUMBER FROM TO	QTY REQ	PART NUMBER	HONDA CODE
		1 9 8 2	1 9 8 3				
	2 = VF750S'82 3 = VF750S'83						
12	HARNESS, WIRE	2	--	----	1	32100-MB0-000	1246180
13	BAND B1, WIRE	2	--	----	2	32161-404-000	0468819
14	SENSOR, HEADLIGHT	2	--	----	1	35540-MB0-008	1246891
15	STAY, HEADLIGHT SENSOR	2	--	----	1	35541-MB0-000	1246909
16	STAY, HEADLIGHT SENSOR STAY, MAIN RELAY	2	--	----	1	35542-MB0-000	1246917
17	RELAY COMP., MAIN	2	--	----	1	36130-MC7-003	1208800
18	BOLT, HEX., 6X25	2	--	----	4	92000-06025-4J	0499590
19	NUT, FLANGE, 6MM	2	--	----	2	94050-06000	0471623
20	BAND A1, WIRE	2	--	----	1	95014-61100	0255661
21	BAND A2, WIRE	2	--	----	7	95014-61200	0255679
22	BAND A3, WIRE	2	--	----	1	95014-61300	0309179

WIRE HARNESS • ELECTRIC PARTS - 83



F14MB0C2901

Ref. No.	BLOCK NO. F-29-1 DESCRIPTION	VF750S		FRAME SERIAL NUMBER FROM TO	QTY REQ	PART NUMBER	HONDA CODE
		1 9 8 2	1 9 8 3				
	2 = VF750S'82 3 = VF750S'83						
1	CLIP, OVER FLOW TUBE	--	3	----	2	19109-MB0-700	1323948
2	CAP, SCREW	--	3	----	4	30501-428-003	1094911
3	SEAL, RUBBER	--	3	----	4	30502-428-003	1094929
4	WASHER, CAP	--	3	----	4	30503-428-003	1094937
5	COIL COMP., IGNITION	--	3	----	2	30510-MB0-701	1295930
6	SPACER, IGNITION COIL	--	3	----	4	30520-MB0-000	1245984
7	CAP COMP. 1, COIL WIRE	--	3	----	2	30731-MB0-700	1308303
8	CAP COMP. 2, COIL WIRE	--	3	----	1	30732-MB0-700	1308311
9	CAP COMP. 4, COIL WIRE	--	3	----	1	30734-MB0-700	1308337
10	RECTIFIER ASSY., SILICON (STANLEY)	--	3	----	1	31700-124-003	0351346
	RECTIFIER ASSY., SILICON (SHINDENGEN)	--	3	----	1	31700-124-008	0692129
11	HARNESS, WIRE	--	3	----	1	32100-MB0-700	1308592
12	BAND, WIRE	--	3	----	1	32161-MA0-000	1035187
13	CANCEL UNIT, TURN SIGNAL	--	3	----	1	35220-MB9-781	1410158

© AMERICAN HONDA MOTOR CO. LTD. 1993 139

CONTENTS

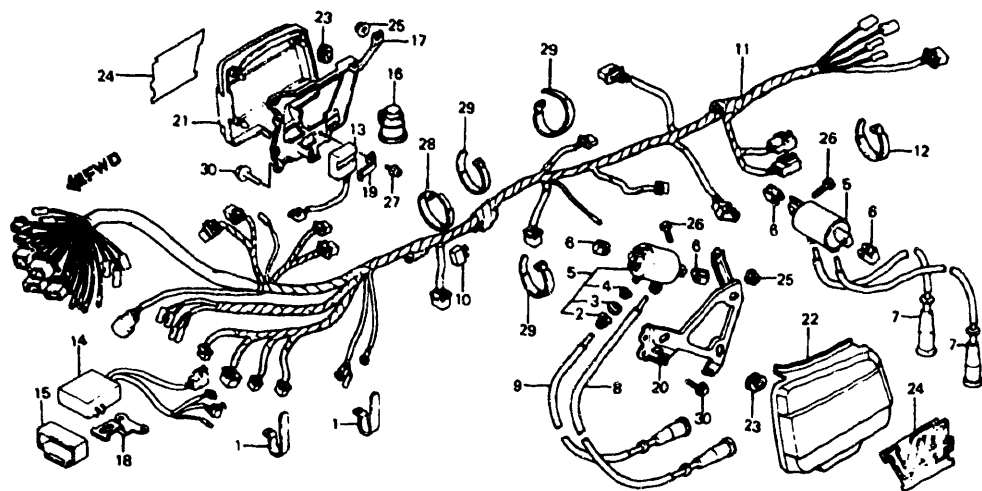
TITLE	PAGE	GRID
AIR CLEANER 82	113	F11
AIR CLEANER 83	116	G1
BATTERY	111	F10
BRAKE CALIPER, FR.	90	E12
BRAKE MASTER CYL. FR.	74	E4
BRAKE PANEL, RR.	94	F2
BRAKE PEDAL	121	G3
CABLE	72	E3
CLUTCH MASTER CYLINDER	76	E5
CONTROL LEVER	74	E4
ELECTRIC PARTS 83	139	G12
FENDER, FR.	84	E9
FENDER, RR.	132	G9
FINAL DRIVEN GEAR	98	F4
FRAME	146	H4
FUEL TANK	102	F6
GEARSHIFT PEDAL	121	G3
HANDLEBAR	78	E6
HEADLIGHT	68	E1
HORN	82	E8
IGNITION COIL 82	137	G11
INSTRUMENTS	70	E2
MUFFLER	118	G2
RADIATOR	142	H2
SEAT	105	F7
SHOCK ABSORBER, FR.	85	E9
SHOCK ABSORBER, RR.	130	G8
SIDE COVER	108	F9
SPARK UNIT	132	G9
STAND	126	G6
STEERING STEM	82	E8
STEP	124	G5
SWINGARM	128	G7
SWITCH	72	E3
TAILLIGHT	136	G11
TOOLS	149	H5
TOP BRIDGE	78	E6
TURN SIGNAL	134	G10
WHEEL, FR.	92	F1
WHEEL, RR.	96	F3
WIRE HARNESS 82	137	G11
WIRE HARNESS 83	139	G12

GRID

G12

VF750S'82 ENGINE NO.; RC07E-2000066 TO 2015996
 VF750S'82 FRAME NO.; RC070-CM000036 TO CM012083
 VF750S'83 ENGINE NO.; RC07E-2100018 TO 2115544
 VF750S'83 FRAME NO.; RC070-DM100006 TO DM108632

WIRE HARNESS • ELECTRIC PARTS - 83



F14MB0C2901

Ref. No.	BLOCK NO. F-29-1 DESCRIPTION	VF750S		QTY REQ	PART NUMBER	HONDA CODE
		1 9 8 2	1 9 8 3			
2 = VF750S'82 3 = VF750S'83						
14	SENSOR, HEADLIGHT	--	3	1	35540-MB0-701	1412097
15	CUSHION, HEADLIGHT SENSOR	--	3	1	35541-MB0-701	1412105
16	RELAY COMP., MAIN	--	3	1	36130-MC7-003	1208800
17	BRACKET, R. ELECTRIC PARTS	--	3	1	38010-MB0-700	1308840
18	HOLDER, HEADLIGHT SENSOR	--	3	1	38011-MB0-700	1308857
19	HOLDER, TURN SIGNAL CANCEL UNIT ..	--	3	1	38013-MB0-700	1316678
20	BRACKET, L. ELECTRIC PARTS	--	3	1	38020-MB0-700	1308873
21	COVER, R. ELECTRIC PARTS	--	3	1	38030-MB0-700	1308881
22	COVER, L. ELECTRIC PARTS	--	3	1	38040-MB0-700	1308899
23	GROMMET, AIR CLEANER CASE	--	3	6	83551-300-000	0204990
24	MARK, ELECTRIC PARTS COVER	--	3	2	87126-MB0-700	1310424
25	NUT, FLANGE, 4MM	--	3	2	90308-428-900	1515204
26	BOLT, HEX., 6X20	--	3	4	92000-06020-4J	0499582
	BOLT, HEX., 6X20	--	3	4	92101-06020-4J	2801207
27	SCREW-WASHER, 4X12	--	3	2	93891-04012-00	0671040
28	BAND A1, WIRE	--	3	1	95014-61100	0255661

2 = VF750S'82
3 = VF750S'83

VF750S

Ref. No.	BLOCK NO. F-29-1 DESCRIPTION	VF750S		QTY REQ	PART NUMBER	HONDA CODE
		1 9 8 2	1 9 8 3			
29	BAND A2, WIRE	--	3	6	95014-61200	0255679
30	BOLT, FLANGE, 6X10	--	3	4	95700-06010-08	0344952
	BOLT, FLANGE, 6X10	--	3	4	95701-06010-08	2204709

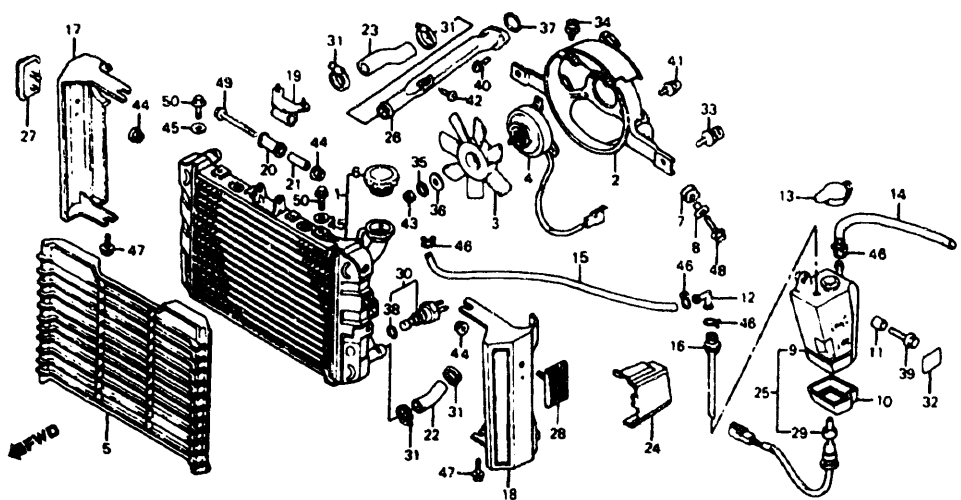
CONTENTS

TITLE	PAGE	GRID
AIR CLEANER 82	113	F11
AIR CLEANER 83	116	G1
BATTERY	111	F10
BRAKE CALIPER, FR.	90	E12
BRAKE MASTER CYL. FR.	74	E4
BRAKE PANEL, RR.	94	F2
BRAKE PEDAL	121	G3
CABLE	72	E3
CLUTCH MASTER CYLINDER	76	E5
CONTROL LEVER	74	E4
ELECTRIC PARTS 83	139	G12
FENDER, FR.	84	E9
FENDER, RR.	132	G9
FINAL DRIVEN GEAR	98	F4
FRAME	146	H4
FUEL TANK	102	F6
GEARSHIFT PEDAL	121	G3
HANDLEBAR	78	E6
HEADLIGHT	68	E1
HORN	82	E8
IGNITION COIL 82	137	G11
INSTRUMENTS	70	E2
MUFFLER	118	G2
RADIATOR	142	H2
SEAT	105	F7
SHOCK ABSORBER, FR.	85	E9
SHOCK ABSORBER, RR.	130	G8
SIDE COVER	108	F9
SPARK UNIT	132	G9
STAND	126	G6
STEERING STEM	82	E8
STEP	124	G5
SWINGARM	128	G7
SWITCH	72	E3
TAILLIGHT	136	G11
TOOLS	149	H5
TOP BRIDGE	78	E6
TURN SIGNAL	134	G10
WHEEL, FR.	92	F1
WHEEL, RR.	96	F3
WIRE HARNESS 82	137	G11
WIRE HARNESS 83	139	G12

GRID

H1

RADIATOR



F14MBOC30

Ref. No.	BLOCK NO. DESCRIPTION	VF750S		FRAME SERIAL NUMBER	QTY REQ	PART NUMBER	HONDA CODE
		1 9 8 2	1 9 8 3				
	2 = VF750S'82 3 = VF750S'83						
33	BOLT-FLANGE, 6X12	--	3	-----	2	93493-06012-07	0823427
	BOLT, FLANGE, 6X12	--	3	-----	2	95700-06012	0346254
	BOLT, FLANGE, 6X12	--	3	-----	2	95700-06012-00	0487025
	BOLT, FLANGE, 6X12	--	3	-----	2	95700-06012-10	1876044
	BOLT, FLANGE, 6X12	--	3	-----	2	95701-06012-00	2105799
	BOLT, FLANGE, 6X12	--	3	-----	2	95800-06012	0622431
	BOLT, FLANGE, 6X12	--	3	-----	2	95900-06012-02	1816727
34	BOLT-WASHER, 5X8	2	--	-----	2	90046-MB0-003	1250794
	SCREW-WASHER, 6X12	--	3	-----	2	93893-06012-07	1317007
35	WASHER, SPRING, 5MM	2	3	-----	1	90401-679-003	0736850
36	WASHER, PLAIN, 5MM (ND)	2	3	-----	1	90402-679-003	0736884
37	O-RING, 21.9X2.3	2	3	-----	1	91301-MB6-003	2954766
	O-RING, 21.9X2.3	2	3	-----	1	91302-371-013	1541390
	O-RING, 21.9X2.5	2	3	-----	1	91302-371-023	2458644
38	O-RING, 13.5X1.4	2	3	-----	1	91307-PH7-660	2514651
	O-RING, 12.5X1.4	2	3	-----	1	91307-611-000	0347906

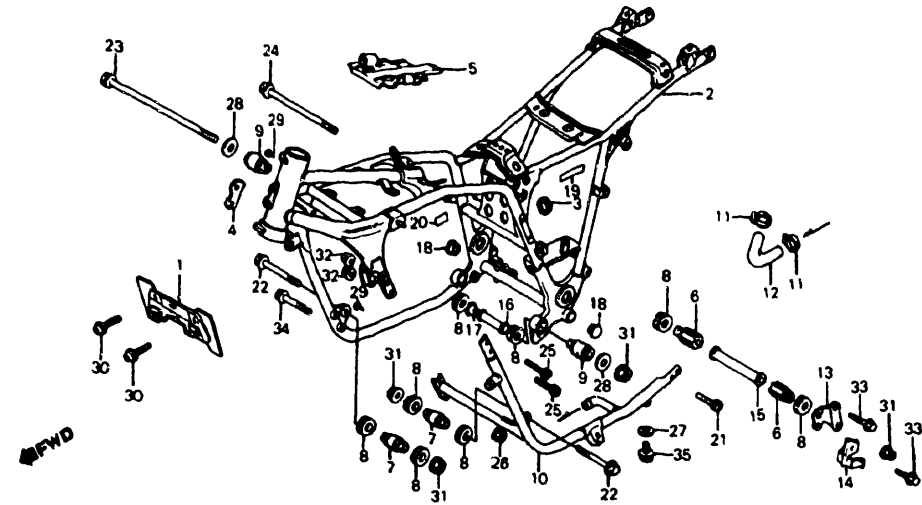
Ref. No.	BLOCK NO. DESCRIPTION	VF750S		FRAME SERIAL NUMBER	QTY REQ	PART NUMBER	HONDA CODE
		1 9 8 2	1 9 8 3				
	2 = VF750S'82 3 = VF750S'83						
39	BOLT-WASHER, 6X25	2	3	-----	1	93494-06025-08	0677294
40	SCREW, PAN, 5X8	2	3	-----	2	93500-05008-06	0331363
41	SCREW-WASHER, 5X10	2	3	-----	3	93893-05010-08	0648774
42	SCREW, TAPPING, 4X8	2	--	-----	1	93901-34180	0693069
	SCREW, TAPPING, 3X8	--	3	DM105303	1	93901-22180	0786772
43	NUT, HEX., 5MM	2	3	-----	1	94001-05080-0S	0285783
44	NUT, FLANGE, 6MM	2	3	-----	3	94050-06000	0471623
45	WASHER, PLAIN, 6MM	2	3	-----	2	94101-06200	0059089
46	CLIP, TUBE, C11	2	3	-----	4	95002-70000	0053595
47	BOLT, FLANGE, 6X10	2	3	-----	2	95700-06010-00	0350488
	BOLT, FLANGE, 6X10	2	3	-----	2	95701-06010-00	2410876
48	BOLT, FLANGE, 6X25	2	3	-----	2	95700-06025-07	0721076
	BOLT, FLANGE, 6X25	2	3	-----	2	95701-06025-07	2449122
49	BOLT, FLANGE, 6X40	2	3	-----	1	95700-06040-00	0483966
	BOLT, FLANGE, 6X40	2	3	-----	1	95701-06040-00	2410942
50	BOLT, FLANGE, 6X10	2	3	-----	2	96000-06010-02	0807305
	BOLT, FLANGE, 6X10	2	3	-----	2	96001-06010-02	2649663

CONTENTS

TITLE	PAGE	GRID
AIR CLEANER 82	113	F11
AIR CLEANER 83	116	G1
BATTERY	111	F10
BRAKE CALIPER, FR.	90	E12
BRAKE MASTER CYL. FR.	74	E4
BRAKE PANEL, RR.	94	F2
BRAKE PEDAL	121	G3
CABLE	72	E3
CLUTCH MASTER CYLINDER	76	E5
CONTROL LEVER	74	E4
ELECTRIC PARTS 83	139	G12
FENDER, FR.	84	E9
FENDER, RR.	132	G9
FINAL DRIVEN GEAR	98	F4
FRAME	146	H4
FUEL TANK	102	F6
GEARSHIFT PEDAL	121	G3
HANDLEBAR	78	E6
HEADLIGHT	68	E1
HORN	82	E8
IGNITION COIL 82	137	G11
INSTRUMENTS	70	E2
MUFFLER	118	G2
RADIATOR	142	H2
SEAT	105	F7
SHOCK ABSORBER, FR.	85	E9
SHOCK ABSORBER, RR.	130	G6
SIDE COVER	108	F9
SPARK UNIT	132	G9
STAND	126	G6
STEERING STEM	82	E8
STEP	124	G5
SWINGARM	128	G7
SWITCH	72	E3
TAILLIGHT	136	G11
TOOLS	149	H5
TOP BRIDGE	78	E6
TURN SIGNAL	134	G10
WHEEL, FR.	92	F1
WHEEL, RR.	96	F3
WIRE HARNESS 82	137	G11
WIRE HARNESS 83	139	G12

VF750S'82 ENGINE NO.; RC07E-2000066 TO 2015996
 VF750S'82 FRAME NO.; RC070-CM000036 TO CM012083
 VF750S'83 ENGINE NO.; RC07E-2100018 TO 2115544
 VF750S'83 FRAME NO.; RC070-DM100006 TO DM108632

FRAME



"CAUTION OR WARNING LABELS MUST BE ORDERED SEPARATELY WHEN APPLICABLE"

F14MB0C31

Ref. No.	BLOCK NO. F-31	DESCRIPTION	VF750S		QTY REQ	PART NUMBER	HONDA CODE
			1 9 8 2	1 9 8 3			
		2 = VF750S'82 3 = VF750S'83					
		1 PLATE COMP., CARBURETOR HEAT GUARD	2	--	1	19124-MB0-000	1245612
		PLATE, HEAT GUARD	--	3	1	19125-MB0-700	1515253
		2 FRAME COMP. *NH1* (BLACK)	2	--	1	50100-MB0-670ZA	1248467
		FRAME COMP. *NH1* (BLACK)	2	--	1	50200-MB0-670ZA	1442862
		FRAME COMP. *NH1* (BLACK)	2	--	1	50200-MB0-671ZA	1545532
		FRAME COMP. *NH1* (BLACK)	--	3	1	50100-MB0-770ZA	1303643
		FRAME COMP. *NH1* (BLACK)	--	3	1	50100-MB0-771ZA	1696657
		FRAME COMP. *NH1* (BLACK)	--	3	1	50100-MB0-772ZA	1696665
		FRAME COMP. *NH1* (BLACK)	--	3	1	50100-MB0-773ZA	2414068
		FRAME COMP. *NH1* (BLACK)	--	3	1	50100-MB0-774ZA	2414076

Ref. No.	BLOCK NO. F-31	DESCRIPTION	VF750S		QTY REQ	PART NUMBER	HONDA CODE
			1 9 8 2	1 9 8 3			
		2 = VF750S'82 3 = VF750S'83					
		3 GROMMET, BREATHER TUBE	2	3	1	50178-MB0-000	1248491
		4 COVER, FAIRING BRACKET	2	--	1	50184-MB0-000	1248509
		COVER, FAIRING BRACKET	--	3	1	50184-MB0-700	1309137
		5 PLATE, FUEL TANK HEAT GUARD	2	--	1	50189-MB0-000	1248517
		PLATE, FUEL TANK HEAT GUARD	2	3	1	50189-MB0-700	1514348
		6 RUBBER A, MOUNTING	2	3	2	50201-MB0-000	1248533
		7 RUBBER B, MOUNTING	2	3	2	50202-MB0-000	1248541
		8 RUBBER C, MOUNTING	2	3	8	50203-MB0-000	1248558
		RUBBER C, MOUNTING	2	3	8	50203-MB0-010	2956027
		9 RUBBER D, MOUNTING	2	3	2	50206-MB0-000	1248566
		10 SUB FRAME COMP.	2	--	1	50210-MB0-000	1248574
		SUB FRAME COMP. *NH1* (BLACK)	--	3	1	50210-MB0-700ZA	1312834
		11 CLAMP, WATER HOSE	2	3	2	50228-MB0-000	1243328
		12 HOSE, LOWER WATER	2	3	1	50242-MB0-000	1248590
		13 PLATE, L. ENGINE UPPER HANGER	2	3	1	50356-MB0-000	1248681
		14 CLAMP, WIRE	2	3	1	50358-MB0-000	1248707
		15 COLLAR A, ENGINE HANGER	2	3	1	50361-MB0-000	1248715
		16 COLLAR B, ENGINE HANGER	2	3	1	50362-MB0-000	1248723
		17 COLLAR C, ENGINE HANGER	2	3	1	50363-MB0-000	1248731
		18 CAP, MAIN STAND PIPE	2	3	2	50750-MB0-000	1249200
		19 LABEL, DAMPER ADJUSTER	2	3	1	52759-MB0-300	1249739
		20 LABEL, BATTERY CAUTION	2	3	1	87506-MB0-670	1250653
		21 BOLT, SOCKET, 10X25	2	3	1	90101-MB0-000	1250836
		22 BOLT, FLANGE, 10X65	2	3	2	90102-MB0-000	1250844
		23 BOLT, FLANGE, 10X345	2	3	1	90104-MB0-000	1250885
		24 BOLT, FLANGE, 10X220	2	3	1	90110-MB0-000	1250968
		25 BOLT, SOCKET, 10X30	2	3	2	90152-MB0-000	1251107
		26 NUT, FLANGE, 8MM	2	3	2	90208-425-870	0758375
		27 WASHER, SEALING, 6MM	2	3	1	90441-028-010	0014480
		28 WASHER, ENGINE HANGER	2	3	2	90502-MB0-000	1251370
		29 SCREW, RIVET, 1.5X5	2	3	4	90841-001-000	0172866
		30 SCREW-WASHER, 5X12	2	3	2	93893-05012-07	0692665

CONTENTS

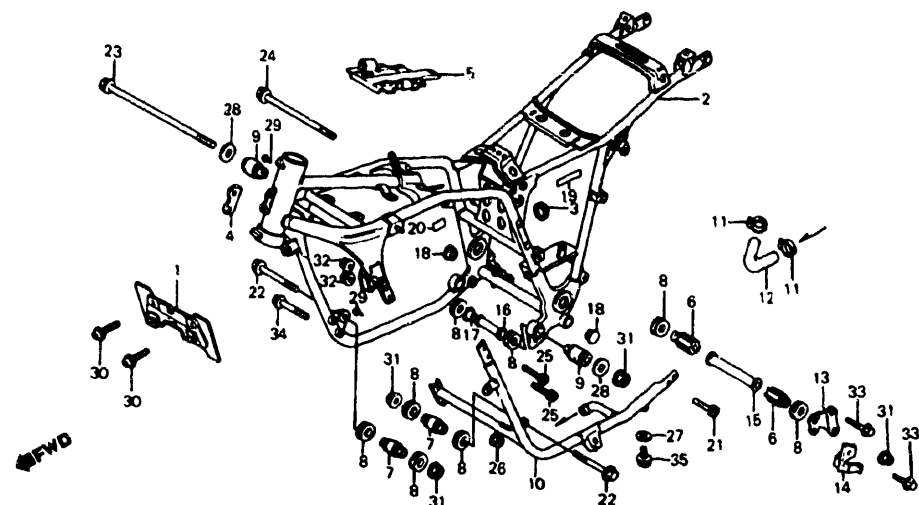
TITLE	PAGE	GRID
AIR CLEANER 82	113	F11
AIR CLEANER 83	116	G1
BATTERY	111	F10
BRAKE CALIPER FR.	90	E12
BRAKE MASTER CYL FR.	74	E4
BRAKE PANEL RR.	94	F2
BRAKE PEDAL	121	G3
CABLE	72	E3
CLUTCH MASTER CYLINDER	76	E5
CONTROL LEVER	74	E4
ELECTRIC PARTS 83	139	G12
FENDER FR.	84	E9
FENDER RR.	132	G9
FINAL DRIVEN GEAR	98	F4
FRAME	146	H4
FUEL TANK	102	F6
GEARSHIFT PEDAL	121	G3
HANDLEBAR	78	E6
HEADLIGHT	68	E1
HORN	82	E8
IGNITION COIL 82	137	G11
INSTRUMENTS	70	E2
MUFFLER	118	G2
RADIATOR	142	H2
SEAT	105	F7
SHOCK ABSORBER FR.	85	E9
SHOCK ABSORBER RR.	130	G8
SIDE COVER	108	F9
SPARK UNIT	132	G9
STAND	126	G6
STEERING STEM	82	E8
STEP	124	G5
SWINGARM	128	G7
SWITCH	72	E3
TAILLIGHT	136	G11
TOOLS	149	H5
TOP BRIDGE	78	E6
TURN SIGNAL	134	G10
WHEEL FR.	92	F1
WHEEL RR.	96	F3
WIRE HARNESS 82	137	G11
WIRE HARNESS 83	139	G12

GRID

H4

VF750S'82 ENGINE NO.; RC07E-2000066 TO 2015996
 VF750S'82 FRAME NO.; RC070-CM000036 TO CM012083
 VF750S'83 ENGINE NO.; RC07E-2100018 TO 2115544
 VF750S'83 FRAME NO.; RC070-DM100006 TO DM108632

FRAME



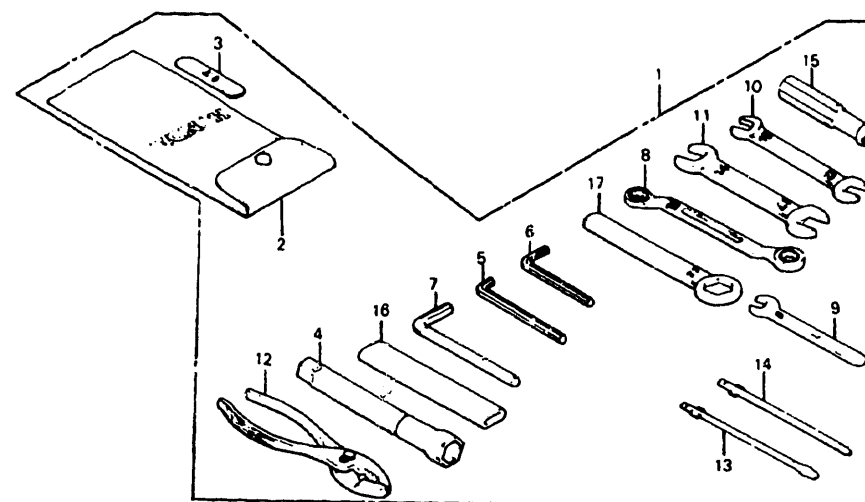
"CAUTION OR WARNING LABELS MUST BE ORDERED SEPARATELY WHEN APPLICABLE"

F14MB0C31

Ref. No.	BLOCK NO. F-31	DESCRIPTION	VF750S		QTY REQ	PART NUMBER	HONDA CODE
			2	3			
		2 = VF750S'82 3 = VF750S'83					
			1 9 8 2	1 9 8 3			
			FRAME SERIAL NUMBER				
			FROM	TO			
31		NUT, FLANGE, 10MM	2	3	4	94050-10000	0483867
32		NUT, FLANGE, 10MM	2	3	2	94050-10080	0623405
33		BOLT, FLANGE, 8X16	2	3	2	95700-08016-07	1251891
		BOLT, FLANGE, 8X16	2	3	2	95701-08016-07	2724003
34		BOLT, FLANGE, 8X55	2	--	2	95700-08055-07	1251925
		BOLT, FLANGE, 8X57	--	3	2	90125-428-900	1292101
35		BOLT, FLANGE, 6X10	2	3	1	96000-06010-07	1260959
		BOLT, FLANGE, 6X10	2	3	1	96001-06010-07	2154664

VF750S'82 ENGINE NO.; RC07E-2000066 TO 2015996
 VF750S'82 FRAME NO.; RC070-CM000036 TO CM012083
 VF750S'83 ENGINE NO.; RC07E-2100018 TO 2115544
 VF750S'83 FRAME NO.; RC070-DM100006 TO DM108632

TOOLS



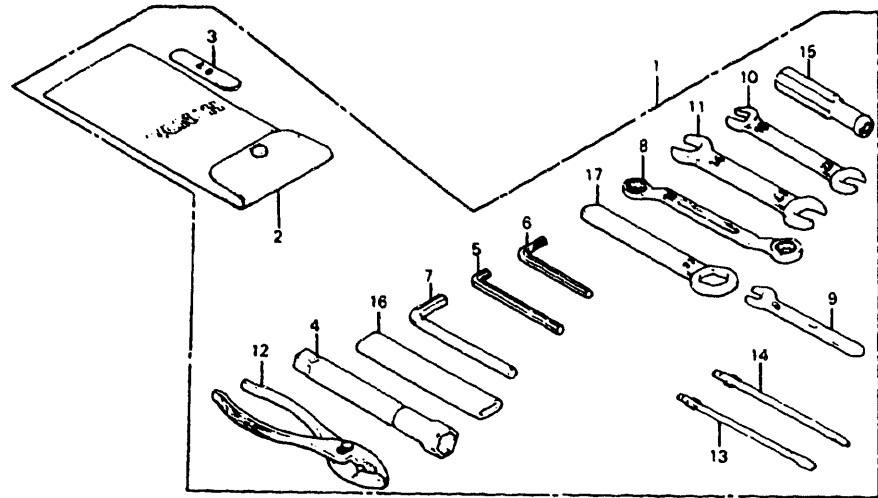
F14MB0C32

Ref. No.	BLOCK NO. F-32	DESCRIPTION	VF750S		QTY REQ	PART NUMBER	HONDA CODE
			2	3			
		2 = VF750S'82 3 = VF750S'83					
			1 9 8 2	1 9 8 3			
			FRAME SERIAL NUMBER				
			FROM	TO			
1		TOOL SET	2	3	1	89010-MB0-000	1250752
2		BAG, TOOL	2	3	1	89101-300-010	0192369
		BAG, TOOL, 200MM	2	3	1	99008-02000	0268185
3		GAUGE, FEELER, 0.7	2	3	1	89103-371-000	0443663
4		WRENCH, PLUG	2	3	1	89216-MB0-000	1260751
5		WRENCH, HEX., 5MM	2	3	1	89221-MB0-000	1250778
6		WRENCH, HEX., 5MM	2	3	1	89221-429-000	0786046
7		WRENCH, HEX., 8MM	2	3	1	89222-371-000	0408724
8		WRENCH, EYE, 10X12	2	3	1	89227-461-000	0918813
9		SPANNER, 8MM	2	3	1	99001-08000	0342766
10		SPANNER, 10X12	2	3	1	99001-10120	0187559
11		SPANNER, 14X17	2	3	1	99001-14170	0187567
12		PLIERS, 135	2	3	1	99002-13500	0069252
13		DRIVER 1, PLUS SCREW (NO.2)	2	3	1	99003-10000	0052423
14		DRIVER 3, MINUS SCREW (NO.2)	2	3	1	99003-30000	0052449
15		GRIP	2	3	1	99003-50000	0052464

CONTENTS

TITLE	PAGE	GRID
AIR CLEANER 82	113	F11
AIR CLEANER 83	116	G1
BATTERY	111	F10
BRAKE CALIPER, FR.	90	E12
BRAKE MASTER CYL, FR.	74	E4
BRAKE PANEL, RR.	94	F2
BRAKE PEDAL	121	G3
CABLE	72	E3
CLUTCH MASTER CYLINDER	76	E5
CONTROL LEVER	74	E4
ELECTRIC PARTS 83	139	G12
FENDER, FR.	84	E9
FENDER, RR.	132	G9
FINAL DRIVEN GEAR	98	F4
FRAME	146	H4
FUEL TANK	102	F6
GEARSHIFT PEDAL	121	G3
HANDLEBAR	78	E6
HEADLIGHT	68	E1
HORN	82	E8
IGNITION COIL 82	137	G11
INSTRUMENTS	70	E2
MUFFLER	118	G2
RADIATOR	142	H2
SEAT	105	F7
SHOCK ABSORBER, FR.	85	E9
SHOCK ABSORBER, RR.	130	G8
SIDE COVER	108	F9
SPARK UNIT	132	G9
STAND	126	G6
STEERING STEM	82	E8
STEP	124	G5
SWINGARM	128	G7
SWITCH	72	E3
TAILLIGHT	136	G11
TOOLS	149	H5
TOP BRIDGE	78	E6
TURN SIGNAL	134	G10
WHEEL, FR.	92	F1
WHEEL, RR.	96	F3
WIRE HARNESS 82	137	G11
WIRE HARNESS 83	139	G12

TOOLS



F14MB0C32

2 = VF750S'82 3 = VF750S'83		VF750S		QTY	REQ	PART NUMBER	HONDA CODE
		1 1 9 9 8 8 2 3	FRAME SERIAL NUMBER				
Ref. No.	BLOCK NO. F-32 DESCRIPTION	2 3	FROM TO				
	16 HANDLE, EYE WRENCH, 120MM	2 3	-----	1		99006-12000	0270496
	17 WRENCH, EYE, 22MM	2 3	-----	1		99006-22000	0268227

2 = VF750S'82 3 = VF750S'83		VF750S		FRAME SERIAL NUMBER	REQ	PART NUMBER	HONDA CODE
		1 1 9 9 8 8 2 3	FRAME SERIAL NUMBER				
Ref. No.	BLOCK NO. F-32 DESCRIPTION	2 3	FROM TO				

CONTENTS

TITLE	PAGE	GRID
AIR CLEANER 82	113	F11
AIR CLEANER 83	116	G1
BATTERY	111	F10
BRAKE CALIPER, FR.	90	E12
BRAKE MASTER CYL. FR.	74	E4
BRAKE PANEL, RR.	94	F2
BRAKE PEDAL	121	G3
CABLE	72	E3
CLUTCH MASTER CYLINDER	76	E5
CONTROL LEVER	74	E4
ELECTRIC PARTS 83	139	G12
FENDER, FR.	84	E9
FENDER, RR.	132	G9
FINAL DRIVEN GEAR	98	F4
FRAME	146	H4
FUEL TANK	102	F6
GEARSHIFT PEDAL	121	G3
HANDLEBAR	78	E6
HEADLIGHT	68	E1
HORN	82	E8
IGNITION COIL 82	137	G11
INSTRUMENTS	70	E2
MUFFLER	118	G2
RADIATOR	142	H2
SEAT	105	F7
SHOCK ABSORBER, FR.	85	E9
SHOCK ABSORBER, RR.	130	G8
SIDE COVER	108	F9
SPARK UNIT	132	G9
STAND	126	G6
STEERING STEM	82	E8
STEP	124	G5
SWINGARM	128	G7
SWITCH	72	E3
TAILLIGHT	136	G11
TOOLS	149	H5
TOP BRIDGE	78	E6
TURN SIGNAL	134	G10
WHEEL, FR.	92	F1
WHEEL, RR.	96	F3
WIRE HARNESS 82	137	G11
WIRE HARNESS 83	139	G12

VF750S'82 ENGINE NO.; RC07E-2000066 TO 2015996
 VF750S'82 FRAME NO.; RC070-CM000036 TO CM012083
 VF750S'83 ENGINE NO.; RC07E-2100018 TO 2115544
 VF750S'83 FRAME NO.; RC070-DM100006 TO DM108632

Part Number Index

Table with 9 columns: Part Number, Grid, Page, Part Number, Grid, Page, Part Number, Grid, Page. Lists various part numbers and their corresponding grid and page information.

Part Number Index

Table with 9 columns: Part Number, Grid, Page, Part Number, Grid, Page, Part Number, Grid, Page. Lists various part numbers and their corresponding grid and page information.

Part Number Index					
Part Number	Grid	Page	Part Number	Grid	Page
96001-06035-00	... D3	54	99101-393-1380	... D7	63
96001-06035-07	... B9	18	99102-393-1280	... D7	63
	B9	19	99102-393-1380	... D7	63
	D3	54	99103-437-0380	... D7	63
	D3	55	99103-437-0400	... D7	63
96001-06040-00	... C1	27		D8	64
	C2	28			
96001-06060-07	... C2	29			
96001-06070-00	... C2	29			
96001-06070-07	... C2	29			
	C3	30			
96100-63040-00	... C6	36			
	C7	38			
96100-63050-00	... C12	49			
	D1	50			
96140-63020-10	... F1	93			
96140-63030-10	... F3	97			
	F4	98			
96150-63020-10	... F1	93			
	F2	94			
96211-05000	... E11	89			
	E12	90			
96220-60150	... B12	25			
	C1	26			
98069-57916	... B3	6			
	B4	9			
98069-57926	... B3	6			
	B4	9			
98069-58916	... B3	6			
	B4	9			
98069-58926	... B3	6			
	B4	9			
98069-59916	... B3	6			
	B4	9			
98069-59926	... B3	6			
	B3	7			
	B4	9			
	B5	10			
98200-21500	... F10	110			
	F10	111			
98200-53000	... F11	112			
	F11	113			
99001-08000	... H5	149			
99001-10120	... H5	149			
99001-14170	... H5	149			
99002-13500	... H5	149			
99003-10000	... H5	149			
99003-30000	... H5	149			
99003-50000	... H5	149			
99006-12000	... H6	150			
99006-22000	... H6	150			
99008-02000	... H5	149			
99101-393-1320	... D7	63			
99101-393-1350	... D7	63			

Part Number Index					
Part Number	Grid	Page	Part Number	Grid	Page

Description Index

Description	Grid	Page	Ref. No.	Description	Grid	Page	Ref. No.
GASKET, PISTON CASE	E10	86	16	GUIDE, EX. VALVE	B1	3	1
GASKET, R. AIR CLEANER CASE	F11	113	15		B3	7	1
GASKET, R. COVER	B8	17	2	GUIDE, OIL SEAL	G7	128	8
	D8	65	2	GUIDE, VALVE	B1	3	1
GASKET, SEAL	G11	136	1		B3	7	1
GASKET, SIDE GEAR CASE	D3	55	5				
	D8	65	5				
	D8	65	6	(H)			
	D8	65	7				
	D8	65	8	HANDLE, EYE WRENCH, 120MM	H6	150	16
	D8	65	9	HANDLEBAR, R.	E6	79	14
	D8	65	10	HARNESS, WIRE	G12	138	12
	D8	65	11		G12	139	11
GASKET, WATER PUMP COVER	C2	28	6	HEAD COMP. FR. CYLINDER	B1	3	2
GAUGE, FEELER, 0.7	H5	149	3	HEAD COMP. RR. CYLINDER	B4	8	4
GAUGE, OIL LEVEL	B8	17	4	HEADLIGHT ASSY.	E1	68	1
GEAR ASSY., FINAL DRIVEN	F4	98	2	HEADLIGHT UNIT	E1	69	14
GEAR COMP., STARTER CLUTCH	B12	24	3		E1	69	15
GEAR COMP., STARTING CLUTCH	B12	24	3	HOLDER A, CAMSHAFT	B1	3	3
GEAR SET, FINAL	F4	98	5		B3	7	2
GEAR, COUNTERSHAFT FIFTH	C12	49	14	HOLDER ASSY.	F7	105	1
GEAR, COUNTERSHAFT FOURTH	C12	49	11	HOLDER ASSY. A, CAM CHAIN TENSIONER	B7	15	11
GEAR, COUNTERSHAFT LOW	C12	48	3	HOLDER ASSY. B, CAM CHAIN TENSIONER	B7	15	13
GEAR, COUNTERSHAFT SECOND	C12	48	6	HOLDER B, CAMSHAFT	B2	4	4
GEAR, COUNTERSHAFT SIXTH	C12	49	17		B3	7	3
GEAR, COUNTERSHAFT THIRD	C12	48	8	HOLDER COMP., HEADLIGHT BULB	E1	68	8
GEAR, MAINSHAFT FIFTH	C12	49	12	HOLDER SET, BRUSH	C3	30	5
GEAR, MAINSHAFT FOURTH	C12	49	10	HOLDER 1C, FR. FORK AXLE	E11	89	68
GEAR, MAINSHAFT SECOND & THIRD	C12	48	5	HOLDER, ADJUSTING LEVER	G8	131	17
GEAR, MAINSHAFT SIXTH	C12	49	15	HOLDER, BOOT	E10	87	33
GEAR, PRIMARY DRIVE	B10	20	11	HOLDER, CHOKE LEVER	E5	76	1
	B11	23	16	HOLDER, COUNTERSHAFT BEARING	D3	55	6
GEAR, SPEEDOMETER	F1	93	11	HOLDER, CROSS SHAFT BEARING	D4	57	9
GEAR, STARTER REDUCTION	B12	24	2	HOLDER, FR. JET NEEDLE	D7	63	17
GRILLE, RADIATOR	H2	142	5	HOLDER, GREASE	E8	83	9
GRIP	H5	149	15	HOLDER, HEADLIGHT SENSOR	H1	140	18
GRIP, L. HANDLEBAR	E3	73	9	HOLDER, HELMET	F7	105	1
GRIP, L. SIDE	G9	133	13	HOLDER, IGNITOR	G9	132	9
GRIP, R. HANDLEBAR	E3	73	8	HOLDER, L. PILLION STEP	G5	125	15
GRIP, R. SIDE	G9	133	12	HOLDER, MASTER CYLINDER	E4	75	9
GROMMET A, RR. COVER	C2	28	3	HOLDER, NEEDLE JET	D7	63	17
GROMMET A, SIDE COVER	F9	109	17	HOLDER, O-RING	F4	99	13
GROMMET B, RR. COVER	D3	55	2	HOLDER, R. PILLION STEP	G5	125	14
GROMMET, AIR CLEANER CASE	F9	109	15	HOLDER, RR. JET NEEDLE	D7	63	18
	H1	140	23	HOLDER, RR. SWINGARM GREASE	G7	129	15
GROMMET, BREATHING TUBE	H4	147	3	HOLDER, TURN SIGNAL CANCEL UNIT	H1	140	19
GROMMET, SIDE COVER	F6	103	17	HORN ASSY.	E8	82	3
GUIDE A, CAM CHAIN	B7	15	8		E8	82	4
GUIDE B, CAM CHAIN	B7	15	14	HORN ASSY., HIGH	E8	82	3
GUIDE COMP. A, CAM CHAIN	B7	15	6	HOSE A, CLUTCH	E5	76	8
GUIDE, ADJUSTER	G8	131	19	HOSE A, RADIATOR	H2	143	22
GUIDE, CLUTCH OUTER	B9	19	3	HOSE A, WATER	D2	52	16
	B11	22	3	HOSE B, FR. BRAKE	E4	74	4
GUIDE, DRAIN PIPE	G2	119	17	HOSE B, RADIATOR	H2	143	23

Description Index

Description	Grid	Page	Ref. No.	Description	Grid	Page	Ref. No.
HOSE B, WATER	D2	53	20	(L)			
HOSE, CLUTCH	E5	76	7				
	E5	76	8	LABEL, BATTERY CAUTION	H4	147	20
HOSE, CONNECTING	D2	52	6	LABEL, BREAK IN CAUTION	E2	71	21
HOSE, L. FR. BRAKE	E4	74	2	LABEL, DAMPER ADJUSTER	H4	147	19
HOSE, LOWER WATER	H4	147	12	LABEL, DRIVE CAUTION	F6	103	21
HOSE, R. FR. BRAKE	E4	74	3	LABEL, FR. FORK CAUTION	F6	103	20
HOSE, RADIATOR	H2	143	23	LABEL, HELMET HOLDER	F8	106	14
HOSE, WATER	D2	53	17		F8	106	15
				LABEL, MUFFLER CAUTION	G7	129	17
(I)				LABEL, RESERVE TANK	H2	143	32
INDICATOR, RR. BRAKE	F2	94	8	LABEL, RR.	F9	109	23
INNER, ONE WAY CLUTCH	B11	22	6	LABEL, RR. CUSHION CAUTION	F9	109	23
INSULATOR B, CARBURETOR	B2	5	8	LABEL, TIRE CAUTION	G7	129	18
	B4	9	7	LENS COMP., COMBINATION METER	E2	71	19
INSULATOR, CARBURETOR	B2	5	8	LENS, TURN SIGNAL	G10	134	3
	B4	9	7	LEVER SET A, LINK	D5	59	1
INSULATOR, CLUTCH SLAVE CYLINDER	B4	9	7	LEVER, ADJUSTING	G8	131	14
	C2	28	8	LEVER, CHOKE	E3	72	4
	D8	65	12	LID, RR. COWL CASE	F8	106	10
(J)				LIFTER, DAMPER	G7	128	3
JET, MAIN, # 132	D7	63	21	LINK SET A, STARTER	D5	59	2
JET, MAIN, # 135	D7	63	22	LINK SET B, STARTER	D5	59	5
JET, MAIN, # 138	D7	63	23	LINK SET C, STARTER	D5	59	8
JET, SECONDARY MAIN, # 128	D7	63	23	LOCK, BEARING ADJUSTING	F4	99	10
JET, SECONDARY MAIN, # 138	D7	63	23		F4	99	11
JET, SLOW, # 38	D7	63	24	(M)			
JET, SLOW, # 40	D7	63	24				
JOINT B, BRAKE ARM	G4	122	21	MAINSHAFT	C12	48	1
JOINT COMP., YOKE	G7	128	1	MARK, ACCESSORIES & LOADING CAUTION	F9	109	22
JOINT SET A, FUEL	D5	59	6	MARK, CHOKE	E5	76	2
JOINT SET B, FUEL	D5	59	12	MARK, ELECTRIC PARTS COVER	H1	140	24
JOINT SET C, FUEL	D5	59	4	MARK, FR. FORK	E10	87	39
JOINT SET D, FUEL	D5	59	11	MARK, RADIATOR CAUTION	F9	109	21
JOINT, BOOST	B4	9	8	METAL, BUSH	G8	130	6
JOINT, BREATHING	F12	114	27	METER ASSY., COMBINATION	E2	70	2
	G1	117	18	METER ASSY., SPEED & TACHO	E2	70	4
JOINT, EX. PIPE	G2	118	1	METER UNIT, FUEL	F6	103	16
JOINT, FUEL TUBE	F6	102	8	METER, CLOCK & TRIP	E2	71	13
JOINT, PINION	F4	99	12	METER, FUEL & TEMPERATURE	E2	71	12
JOINT, TUBE	H2	143	12	MIRROR, L	E3	73	11
JOINT, TWO WAY	E4	74	5	MIRROR, R	E3	73	10
(K)				MOTOR ASSY., STARTER	C3	30	1
KEY SET	E6	79	3	MOTOR, FAN	H2	142	4
KEY, BLANK	E6	79	6	MOVEMENT ASSY., SPEEDOMETER	E2	70	8
KEY, WOODRUFF	C11	47	11	MOVEMENT ASSY., TACHOMETER	E2	71	11
KNOB, CLOCK SWITCH	E6	79	11	MUFFLER COMP., L	G2	119	16
				MUFFLER COMP., R	G2	118	5

Description Index

Description (N)	Grid	Page	Ref. No.	Description (O)	Grid	Page	Ref. No.
NEEDLE, FR. JET	D7	63	15	O-RING	C3	30	8
NEEDLE, FR. JET	D7	63	16		C3	30	9
NUT, 3. BRAKE ROD ADJUSTING	G4	122	22		F9	108	7
NUT, COMP. POINTER	E2	70	7	O-RING B. 6.8X1.9	E11	89	57
NUT, WASHER, 6MM	C3	30	7	O-RING D. 13.8X2.4	E11	88	56
NUT, AXLE, 10MM	G8	131	26	O-RING E. 33.5X2	E11	88	55
NUT, BEAM ADJUSTING	E1	68	10	O-RING, BATTERY CASE	F10	110	26
	E1	68	11	O-RING, 10X1.6	B2	5	21
NUT, CAP, 6MM	G2	119	20		B4	9	17
NUT, CONNECTING ROD	C9	43	5	O-RING, 12.5X1.4	H3	144	38
NUT, FLANGE, 10MM	G8	131	31	O-RING, 13.5X1.4	H3	144	38
	H5	148	31	O-RING, 13.8X2.4	E11	88	56
	H5	148	32	O-RING, 13.8X2.5	D2	53	29
NUT, FLANGE, 4MM	H1	140	25		D9	67	26
NUT, FLANGE, 5MM	F11	112	18	O-RING, 13X2.5	D2	53	29
NUT, FLANGE, 6MM	F4	75	23		D9	67	26
	E5	77	25	O-RING, 14.6X3.7	C4	32	15
	F7	104	29		D9	66	20
	F8	107	22	O-RING, 14.7X2.2	C4	32	17
	F11	112	19		D9	66	22
	F12	115	35	O-RING, 14.8X2.2	C4	32	17
	G2	119	23		D9	66	22
	G6	126	12	O-RING, 14MM	F9	108	7
	G10	135	21	O-RING, 16.8X1.9	E12	91	28
	G12	138	19	O-RING, 18.3X2.3	D2	53	26
	H3	145	44		D9	66	15
NUT, FLANGE, 8MM	G2	119	24	O-RING, 18.5X2.4	C4	32	16
	H4	147	26		D9	66	21
NUT, GOVERNOR ARM FIXING	G4	122	16	O-RING, 18X2.8	C5	35	18
NUT, HEX. CAP, 5MM	E2	71	26		D9	66	23
NUT, HEX. 10MM	E1	69	28	O-RING, 21.5X2	B6	13	19
	G6	126	11		D8	64	6
	G7	129	22	O-RING, 21.6X2	B6	13	19
NUT, HEX. 16MM	F5	100	25		D8	64	6
NUT, HEX. 5MM	H3	145	43	O-RING, 21.9X2.3	H3	144	37
NUT, HEX. 6MM	D1	51	28	O-RING, 21.9X2.5	H3	144	37
	E1	69	27	O-RING, 22.5X2.4	G7	129	29
	G4	122	17	O-RING, 22X1.9	F5	101	35
	G4	122	18	O-RING, 22X3.0	B8	17	6
NUT, HEX. 8MM	E11	89	65		D9	66	16
NUT, LOCK, 22MM	B10	20	12	O-RING, 24.5X2	F10	110	26
	B11	23	17	O-RING, 29X2.4	E11	89	58
NUT, LOCK, 30MM	D4	57	16	O-RING, 3X70	D4	57	27
NUT, LOCK, 64MM	D4	57	17		D9	66	24
NUT, RR. AXLE U. 16MM	F5	100	24	O-RING, 30.8MM	F5	101	34
NUT, RR. SWINGARM PIVOT	G7	129	25	O-RING, 32.95X2.62	C2	29	19
NUT, SPECIAL, 6X7	F12	115	30		D9	66	17
	G1	117	20	O-RING, 35.2X2.4	F5	101	36
NUT, SPEED, 3MM	F9	109	25	O-RING, 35.2X2.4	F5	101	36
NUT, STEERING STEM	E6	79	20	O-RING, 39.5X5	F6	103	25
NUT, TAPPET ADJUSTING	B6	13	17	O-RING, 46X5X3.5	F3	97	11
				O-RING, 49.4X3.1	E11	89	59

Description Index

Description	Grid	Page	Ref. No.	Description	Grid	Page	Ref. No.
O-RING, 5.6X1.9	E11	88	54	PIN A, DOWEL, 8X14	B2	5	25
	G8	131	29		B4	9	21
O-RING, 5.7X2.2	D4	57	26		B8	17	7
	D9	66	19		C2	29	20
O-RING, 5.8X1.9	E11	88	54		C4	33	22
	G8	131	29		C5	35	19
O-RING, 5.65X3.5	F3	97	10	PIN B, JOINT	G3	121	10
O-RING, 5.85X3.5	F5	101	37	PIN C, PILLION STEP	G5	125	29
O-RING, 5.8X2	D2	53	27	PIN, COTTER, 2.0X32	C4	33	21
	D9	66	18	PIN, COTTER, 2.5MM	F2	94	11
O-RING, 6.8X1.9	E11	88	57		G6	126	13
O-RING, 7.7X2.3	C4	32	18	PIN, DOWEL, 8X8	B12	25	14
O-RING, 7.8X2.2	C4	32	18	PIN, HANGER RETAINER GROOVE, 4.0MM DIA.	E12	91	22
O-RING, 7.0X3	D4	57	27	PIN, KNOCK	D6	61	21
	D9	67	24	PIN, KNOCK, 8X14	C4	32	14
O-RING, 8.4X2.4	B8	17	8	PIN, LOCK, 6MM	B8	16	22
O-RING, 9.8X2.4	D4	57	28	PIN, LOCK, 8MM	B8	16	23
	D9	67	27	PIN, PISTON	B12	24	1
O-RING, 9.8X7.4	D5	58	28		C9	43	3
	D9	67	27	PIN, PISTON, 10X33	B12	24	1
ODOMETER ASSY.	E6	79	8	PIN, RING GEAR STOPPER	F4	99	14
ODOMETER, TOTAL	E6	79	13	PIN, SHIFT RETURN SPRING	D1	51	19
OIL SEAL, 12.5X25X8	C5	35	15	PIN, SPECIAL LOCK, 6MM	B8	16	21
OIL SEAL, 25X66X8.5	D4	57	25	PIN, SPLIT, 1.6X10	G5	125	27
OIL SEAL, 34X50X7	F5	101	32	PIN, SPLIT, 1.6X12	G4	122	19
OIL SEAL, 47X56X7	G7	129	28	PIN, SPLIT, 1.6X15	G5	125	28
OIL SEAL, 60X80X8	F5	101	33	PIN, SPLIT, 1.6X25	G5	125	28
OIL SEAL, 65X80X10.5	G8	131	28	PIN, SPLIT, 2.0X25	C4	33	21
OIL SEAL, 8X18X5	C2	29	18	PIN, SPLIT, 2.0X35	C4	33	21
OIL SEAL, 8X25X8	D4	57	24	PIN, SPLIT, 2.5MM	F2	94	11
ORIFICE, OIL CONTROL	D4	57	12	PIN, SPRING, 2X14	F10	110	29
ORIFICE, PIN, 10X16	D4	57	20	PIN, STEP BAR JOINT	G5	124	2
ORIFICE, PLATE	C12	49	24	PIN, 8X43.2	B7	15	10
OUTER COMP., CLUTCH	B9	19	2	PIPE A, OIL PATH	B2	4	5
	B11	22	2		B4	8	5
OUTER COMP., STARTER CLUTCH	B12	24	5	PIPE A, WATER	D2	52	14
				PIPE ASSY., CLUTCH	E5	76	10
				PIPE B, OIL PATH	B2	4	6
				PIPE B, SEAT	E10	87	45
				PIPE B, WATER	D2	53	18
PAD COMP.	E12	90	6	PIPE COMP., FR. SHOCK	E9	85	10
PAN, OIL	C3	31	1	PIPE COMP., L. FR. SHOCK	E10	87	41
PANEL COMP., RR.	F2	94	3	PIPE COMP., R. FR. FORK	E9	85	10
PANEL, PRINT	E2	71	16	PIPE, CLUTCH	E5	76	9
PEDAL ASSY., GEARSHIFT	G3	121	1	PIPE, CONNECTING	D2	52	9
PEDAL COMP., GEARSHIFT	G3	121	4	PIPE, L. HANDLEBAR	E6	79	15
PEDAL COMP., RR. BRAKE	G3	121	11	PIPE, L. RR. EX.	G2	119	13
PIECE B, OIL LOCK	E10	87	44	PIPE, L. SEAT	E10	87	45
PIECE, CLUTCH JOINT	B10	20	8	PIPE, MAIN STAND PIVOT	G6	126	3
	B11	23	12	PIPE, OIL	C4	32	11
PIECE, OIL LOCK	E10	86	20	PIPE, OIL STRAINER	C3	31	6
PIN A, ARM	B7	15	12	PIPE, R. RR. EX.	G2	118	6
PIN A, DOWEL, 12X20	B2	5	26	PIPE, SEAT	E10	87	28
	B4	9	22	PIPE, THROTTLE GRIP	E3	73	7

(P)

Description Index

Description	Grid	Page	Ref. No.	Description	Grid	Page	Ref. No.
PIPE WATER OUTLET CONNECTING	D2	52	7	RECTIFIER ASSY. REGULATE	F9	108	2
PISTON	C8	41	2	RECTIFIER ASSY. SILICON	G11	137	11
	E10	87	24		G12	139	10
	E12	90	7	REFLECTOR. L. FR. REFLEX	H2	143	28
PISTON COMP. VACUUM	D7	63	14	REFLECTOR. R. FR. REFLEX	H2	143	27
PISTON SET. CLUTCH MASTER CYLINDER	E5	76	6	RELAY COMP. MAIN	G12	138	17
PISTON. SLAVE CYLINDER	C2	28	9		H1	140	16
PLATE	E12	91	23	RELAY COMP. TURN SIGNAL	G9	132	4
PLATE A. DRUM	D1	50	8	RETAINER. BEARING	F4	99	9
PLATE A. ELEMENT SETTING	G1	116	3	RETAINER. BRACKET	E12	90	12
PLATE B. CLUTCH	B9	19	6	RETAINER. GEAR BOX	F1	92	8
	B11	22	9	RETAINER. VALVE SPRING	B6	13	12
PLATE B. DRUM SETTING	D1	50	9	RIM. HEADLIGHT	E1	68	2
PLATE B. ELEMENT SETTING	G1	116	4	RING B. STOPPER	G8	130	9
PLATE COMP. CARBURETOR HEAT GUARD	H4	146	1	RING SET. PISTON	C7	39	1
PLATE SET. STAY	D5	59	10	RING. BACK UP	E9	85	12
PLATE SET. VALVE	D7	62	7		G8	131	16
PLATE. BATTERY SETTING	F10	111	3	RING. DAMPER COVER	G7	128	10
PLATE. BEARING SETTING	C12	48	2	RING. MOUNTING	E1	69	17
PLATE. CLUTCH	B9	19	6	RING. PISTON	E10	87	25
	B11	22	9	RING. SEAL	C3	30	6
PLATE. CLUTCH LIFTER	B11	23	11	RING. SNAP	E11	88	52
PLATE. CLUTCH PRESSURE	B9	19	7	RING. SPRING STOPPER	G7	128	9
	B11	22	10	RING. STOPPER	E9	85	8
PLATE. DRUM CAM	D1	50	7		E9	85	9
PLATE. DUST GUARD	F4	98	8		G7	128	11
PLATE. FUEL TANK HEAT GUARD	H4	147	5	ROD ASSY. A. CONNECTING	C9	43	4
PLATE. HEAT GUARD	H4	146	1		C10	45	6
PLATE. L. ENGINE UPPER HANGER	H4	147	13	ROD ASSY. A. FR. CONNECTING	C9	43	4
PLATE. L. SEAT LOCK	F7	105	4	ROD ASSY. A. RR. CONNECTING	C9	43	6
PLATE. ODOMETER BASE	E6	79	12	ROD ASSY. B. CONNECTING	C9	43	4
PLATE. OIL SEPARATE	C5	34	3		C10	45	6
PLATE. R. SEAT LOCK	F7	105	3	ROD ASSY. B. FR. CONNECTING	C9	43	4
PLATE. RR. FENDER	G9	133	10	ROD ASSY. B. RR. CONNECTING	C9	43	6
PLATE. SETTING	D6	60	14	ROD ASSY. C. CONNECTING	C9	43	4
PLATE. SPRING SETTING	B11	22	7		C10	45	6
PLIERS. 135	H5	149	12	ROD ASSY. C. FR. CONNECTING	C9	43	4
PLUG. BREATHER TUBE	F12	114	24	ROD ASSY. C. RR. CONNECTING	C9	43	6
	G1	117	15	ROD ASSY. D. CONNECTING	C9	43	4
PLUG. SEAL. 32MM	C5	35	17		C10	45	6
PLUG. SPARK	B3	6	28	ROD ASSY. D. FR. CONNECTING	C9	43	4
	B4	9	23	ROD ASSY. D. RR. CONNECTING	C9	43	6
POINTER	E2	70	5	ROD ASSY. E. CONNECTING	C9	43	4
PROTECTOR	E4	74	7		C10	45	6
	E5	77	12	ROD ASSY. E. FR. CONNECTING	C9	43	4
PROTECTOR. RR. EX. PIPE	G2	118	4	ROD ASSY. E. RR. CONNECTING	C9	43	6
PUMP ASSY. OIL	C3	31	3	ROD ASSY. TENSION	G8	131	18
PUMP COMP. WATER	C2	28	4		G8	131	20
				ROD ASSY. TENSIONER	G8	131	18
				ROD SET A. STARTER LINK	D5	59	3
				ROD SET B. STARTER LINK	D5	59	9
				ROD. ADJUSTING	E10	86	21
				ROD. CLUTCH LIFTER	B10	20	10
					B11	23	15

(R)

Description Index

Description	Grid	Page	Ref. No.	Description	Grid	Page	Ref. No.
ROD. PUSH	E5	76	4	SCREW-WASHER. 5X20	E8	83	16
ROD. RR. BRAKE	G3	121	9	SCREW-WASHER. 5X35	E3	73	14
ROLLER. 15X13	B12	25	16	SCREW-WASHER. 5X45	E6	79	22
ROLLER. 4X13.8	D1	51	26	SCREW-WASHER. 5X8	D6	61	25
ROLLER. 6X15	B12	25	21	SCREW-WASHER. 6X12	H3	144	34
ROTOR COMP.	C1	26	6	SCREW-WASHER. 6X20	G1	117	25
RUBBER A. MOUNTING	H4	147	6	SCREW. BEAM ADJUSTING	E1	68	3
RUBBER B. BATTERY TRAY MOUNT	F9	109	18		E1	68	4
RUBBER B. MOUNTING	H4	147	7	SCREW. BLEEDER	C2	29	13
RUBBER C. MOUNTING	H4	147	8		D2	53	22
RUBBER C. STAND STOPPER	G2	119	27		E12	90	2
RUBBER D. MOUNTING	H4	147	9	SCREW. FLAT. 4X10	E11	89	64
RUBBER. BATTERY	F10	111	5	SCREW. FLAT. 4X12	E4	75	21
RUBBER. FUEL TANK FR.	F6	103	11		E5	77	23
	F6	103	12	SCREW. FLAT. 6X16	C12	49	27
RUBBER. FUEL TANK RR.	F6	103	14		D1	51	27
RUBBER. GASKET	E1	68	9	SCREW. OVAL. 3X6	F7	104	27
RUBBER. GEARSHIFT PEDAL	G3	121	6	SCREW. PAN	D6	60	13
RUBBER. MAIN FOOTPEG	G5	125	13	SCREW. PAN. 3X8	E1	69	25
RUBBER. MOUNTING	B1	2	7	SCREW. PAN. 4X10	B12	25	18
RUBBER. MUFFLER MOUNTING	G2	119	14		D7	63	19
RUBBER. PILLION FOOTPEG	G5	125	19	SCREW. PAN. 4X15	F12	115	33
RUBBER. RADIATOR MOUNTING	H2	142	7		G1	117	23
	H2	143	20	SCREW. PAN. 4X6	F11	112	17
RUBBER. SEAT STOPPER	F8	106	8		G8	131	30
RUBBER. SHOCK	F11	112	15	SCREW. PAN. 5X10	E11	89	63
RUBBER. STAND	G6	126	7	SCREW. PAN. 5X115	C3	30	4
RUBBER. STOPPER	E10	87	29	SCREW. PAN. 5X16.5	F12	115	34
				SCREW. PAN. 5X25	B2	5	24
					B4	9	20
				SCREW. PAN. 5X8	B2	5	23
					B4	9	19
					H3	145	40
SCREEN SET. FUEL STRAINER	F6	102	2		C1	27	11
SCREW SET	D5	59	7	SCREW. PAN. 6X12	C1	27	11
SCREW SET A	D7	62	5	SCREW. PAN. 6X16	E1	69	23
SCREW SET C	D7	62	6	SCREW. PAN. 6X8	G2	119	22
SCREW-WASHER. 3X10	E2	71	23	SCREW. RIVET. 1.5X5	H4	147	29
SCREW-WASHER. 4X10	D6	61	23	SCREW. SPECIAL. 6X11	G10	135	18
	E7	81	23	SCREW. SPECIAL. 6X12	G10	135	18
SCREW-WASHER. 4X12	D6	61	24	SCREW. TAPPET ADJUSTING	B6	13	16
	D7	63	20	SCREW. TAPPING. 3X12	G10	135	20
	E2	71	24	SCREW. TAPPING. 3X25	G10	135	19
	E4	75	22	SCREW. TAPPING. 3X8	H3	145	42
	E5	77	24	SCREW. TAPPING. 4X10	F8	106	20
	H1	140	27	SCREW. TAPPING. 4X12	E2	71	25
SCREW-WASHER. 4X50	E3	73	12		F10	110	28
SCREW-WASHER. 4X8	F7	104	28		G9	133	19
SCREW-WASHER. 5X10	H3	145	41	SCREW. TAPPING. 4X6	E7	81	24
SCREW-WASHER. 5X12	D6	61	26	SCREW. TAPPING. 4X8	H3	145	42
	E1	69	26	SCREW. TAPPING. 6X12	F8	106	21
	G1	117	24	SCREW. 5X10	E11	89	63
	H4	147	30	SEAL A. WATER PIPE	D2	53	29
SCREW-WASHER. 5X16	E3	73	13		D9	67	26
	E8	83	17	SEAL SET. FR. FORK	E10	87	38

Description Index

Description	Grid	Page	Ref. No.	Description	Grid	Page	Ref. No.
VALVE, RIM	F1	92	3	WASHER, SPECIAL, 35X40	F4	99	17
	F3	97	8	WASHER, SFECIAL, 5MM	E10	86	23
				WASHER, SPECIAL, 6MM	D1	51	24
				WASHER, SPECIAL, 8MM	E11	88	51
(W)					G2	119	21
WARNING UNIT	E2	71	20	WASHER, SPEEDOMETER GEAR	F1	93	12
WASHER	E1	69	13	WASHER, SPRING, 22MM	B10	20	14
WASHER A, SEALING, 6MM	C5	35	12		B11	23	19
	D4	57	19	WASHER, SPRING, 4MM	B12	25	19
WASHER B, THRUST, 25MM	C12	49	22		F11	112	20
WASHER K, DRIVE PINION	C12	49	18	WASHER, SPRING, 5MM	C3	30	10
WASHER, ANCHOR PIN	F2	94	4		H3	144	35
WASHER, BEAM ADJUSTING	E1	68	12	WASHER, SPRING, 6MM	E1	69	29
WASHER, CAP	G11	137	4		G2	119	26
	G12	139	4	WASHER, SPRING, 8MM	E11	89	67
WASHER, DRAIN PLUG, 12MM	C4	33	20	WASHER, STEERING STEM	E6	79	21
	D9	67	28	WASHER, THRUST	B12	25	13
WASHER, ENGINE HANGER	H4	147	28	WASHER, THRUST, 20X0.85	C12	49	20
WASHER, L SIDE	E10	87	31	WASHER, THRUST, 20X0.90	C12	49	20
	E10	87	32	WASHER, THRUST, 20X0.95	C12	49	20
WASHER, LOCK	D1	51	21	WASHER, THRUST, 20X1.00	C12	49	20
	E8	83	13		C12	49	21
WASHER, LOCK, 25MM	C12	49	23	WASHER, THRUST, 20X1.05	C12	49	20
WASHER, MOUNTING RUBBER	B1	2	6	WASHER, THRUST, 20X1.1	C12	49	20
WASHER, OIL BOLT	B2	5	20	WASHER, THRUST, 20X1.2	C12	49	20
	D8	64	5	WASHER, THRUST, 25MM	B10	20	15
	E4	75	19		B11	23	20
	E5	77	21	WASHER, THRUST, 25X34	C12	49	19
WASHER, PILLION FOOTPEG	G5	125	18	WASHER, THRUST, 5MM	B2	5	18
WASHER, PLAIN, 5MM	F12	115	36		B4	9	16
	H3	144	36	WASHER, WAVE, 12MM	B6	13	18
WASHER, PLAIN, 6MM	D2	53	30	WASHER, 11MM	C2	29	16
	F5	101	40		D9	66	13
	G2	119	25	WASHER, 44X74X3.2	B11	23	22
	G5	125	25	WASHER, 44X85X1.6	B11	23	21
	H3	145	45	WASHER, 6MM	B8	16	19
WASHER, PLAIN, 8MM	E11	89	66		F8	106	18
	G5	125	26		G9	133	16
	G10	135	22	WASHER, 6X19	G11	136	5
WASHER, RR. BRAKE ANCHOR PIN	F2	94	4		B10	20	16
WASHER, RR. BRAKE ARM	C5	35	14	WASHER, 6X2.3	D1	51	23
WASHER, RR. COVER GROMMET	C2	29	17	WASHER, 7MM	B8	16	20
WASHER, SEALING, 6.5X12	B2	5	19	WASHER, 8.3X38	F6	103	24
	C5	35	13	WASHER, 8MM	B8	16	18
WASHER, SEALING, 6MM	H4	147	27		F5	100	27
WASHER, SEALING, 8MM	C5	35	11	WEIGHT, BALANCE	F1	92	2
	D4	57	18		F3	96	6
WASHER, SEALING, 9MM	B2	5	17	WHEEL COMP., FR.	F1	92	7
	B4	9	15	WHEEL COMP., RR.	F3	96	4
WASHER, SHIFT DRUM STOPPER	C4	32	13		F3	96	5
	D1	51	22	WIRE A, GUARD	D2	52	12
WASHER, SPECIAL	F5	100	26	WIRE B, GUARD	D2	52	13
	F8	106	17	WIRE COMP., TAILLIGHT	G11	136	3
				WRENCH, EYE, 10X12	H5	149	8

Description Index

Description	Grid	Page	Ref. No.	Description	Grid	Page	Ref. No.
WRENCH, EYE, 22MM	H6	150	17				
WRENCH, HEX., 5MM	H5	149	5				
	H5	149	6				
WRENCH, HEX., 8MM	H5	149	7				
WRENCH, PLUG	H5	149	4				
(O)							
O-RING, 9.8X2.4	D5	58	28				
	D9	67	27				